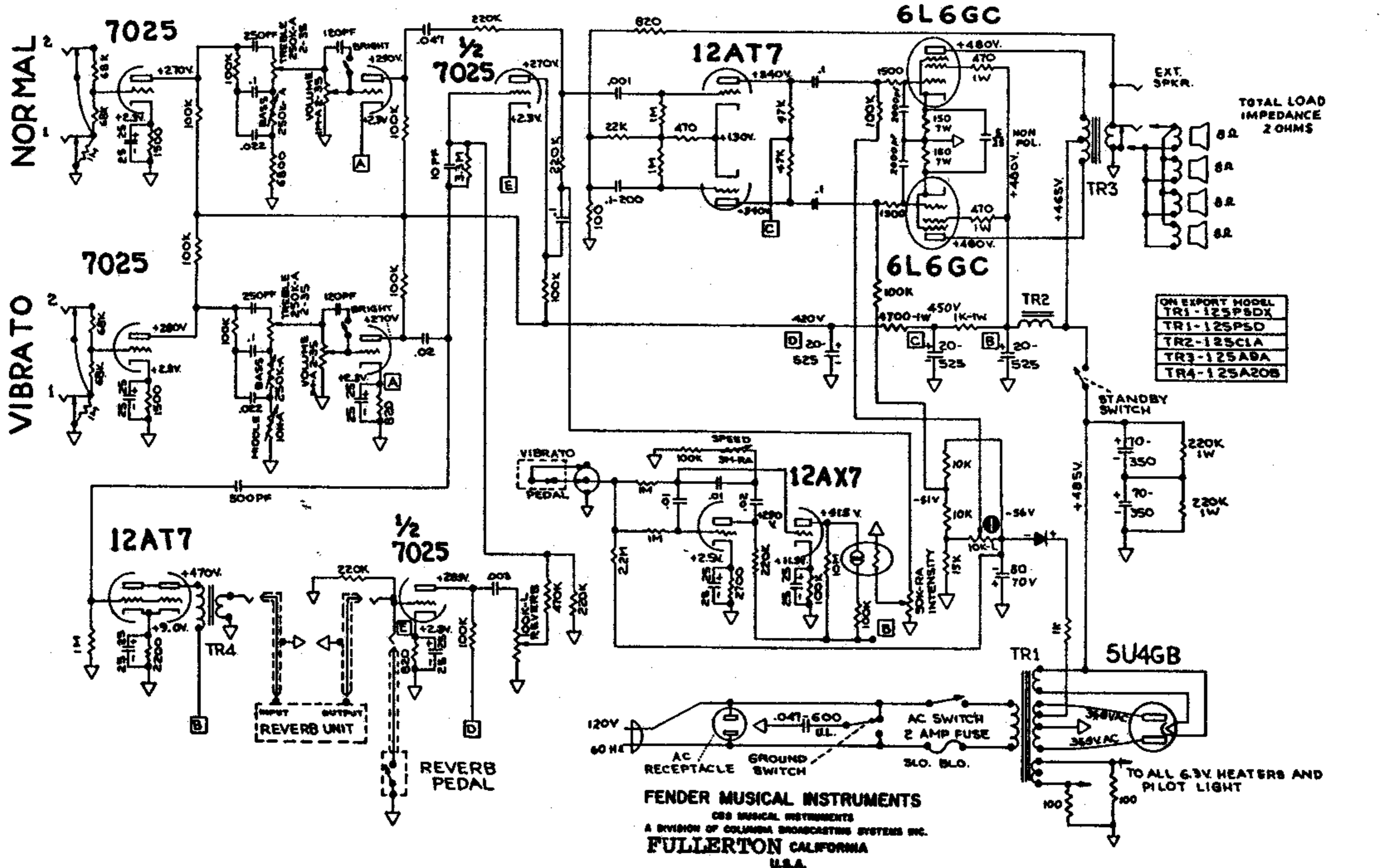


FENDER "SUPER-REVERB-AMP 568" SCHEMATIC NOTICE

THIS PRODUCT MANUFACTURED UNDER ONE OR MORE OF THE FOLLOWING U.S. PATENTS -
 CIRCUIT PATENT #2817708, #2973481
 DESIGN PATENT # 192859
 PATENTS PENDING

- 1 - VOLTAGES READ TO GROUND WITH ELECTRONIC VOLTMETER VALUES SHOWN ± OR - 20%
- 2 - ALL RESISTORS 1/2 WATT 10% TOLERANCE IF NOT SPECIFIED.
- 3 - ALL CAPACITORS AT LEAST 400 VOLT RATING IF NOT SPECIFIED.
- 4 - ALL VOLTAGES READ WITH VIBRATO PEDAL GROUNDING AND NO INPUT SIGNAL



| | | | |
|----------------------------|-------|-----------|--------------|
| DWG. TITLE | | | |
| SCHEMATIC & WIRING DIAGRAM | | | |
| SUPER REVERB-AMP | | | |
| R/S. | REV. | DWG. NO. | REV. |
| 480 | D | 047746 | C |
| SCALE NONE | MODEL | PIPE TYPE | SHEET 1 OF 2 |

