

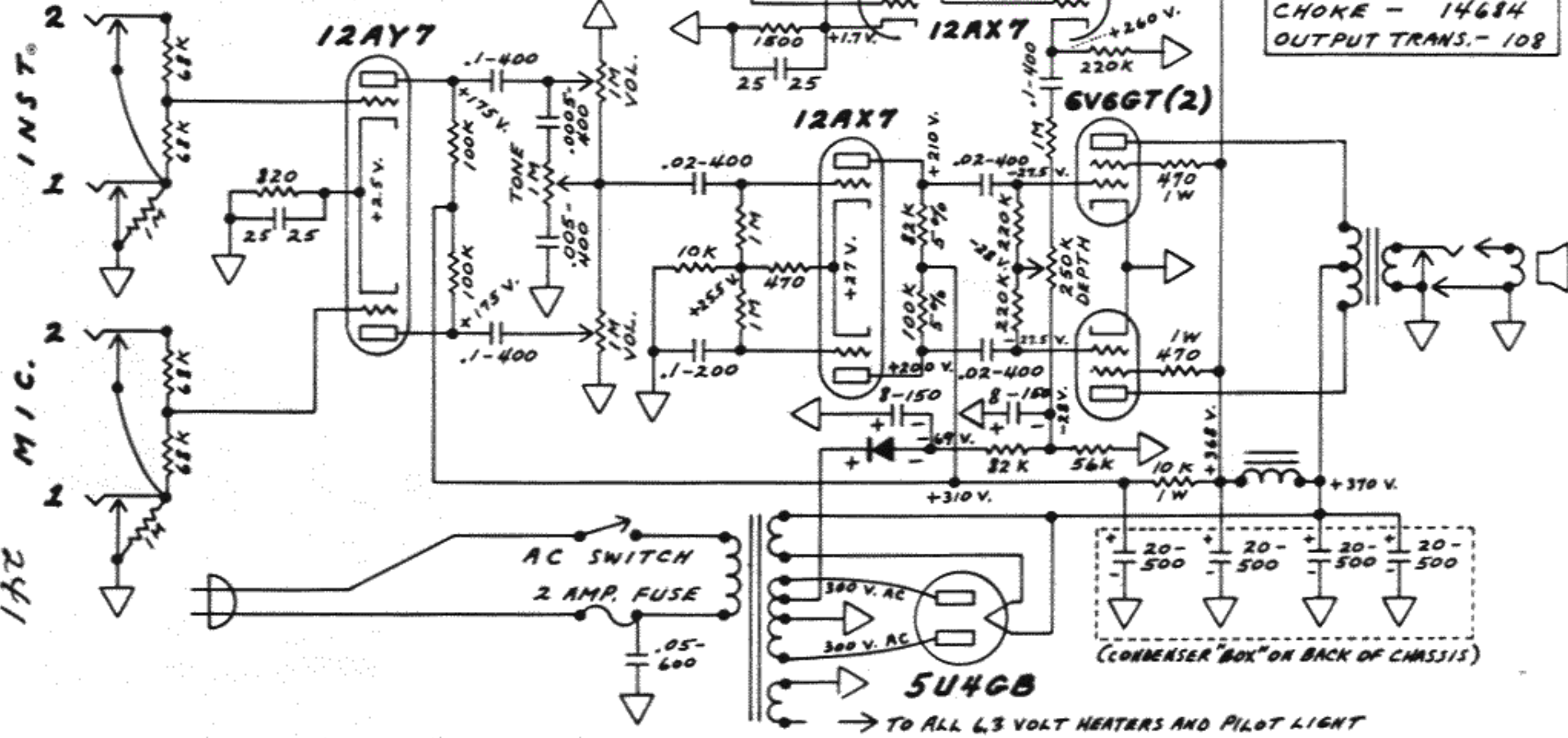
FENDER "TREMOLUX" SCHEMATIC MODEL 569

B-E1

NOTICE

VOLTAGES READ TO GROUND
WITH ELECTRONIC VOLTMETER
VALUES SHOWN \pm OR $-$ 20%

NOTE - LATE 569-A MODELS
ARE SIMILAR TO THIS MODEL
NOTE - ALL RESISTORS ARE 1/2 WATT,
10%, UNLESS SPECIFIED



POWER TRANS. - 8160
CHOKE - 14684
OUTPUT TRANS. - 108

(CONDENSER BOX ON BACK OF CHASSIS)

→ TO ALL 6.3 VOLT HEATERS AND PILOT LIGHT

177

INST.

MIC.

FENDER "TREMOLUX" LAYOUT MODEL 569 B-EI

NOTICE

VOLTAGES READ TO GROUND
WITH ELECTRONIC VOLTMETER
VALUES SHOWN + OR - 20%

