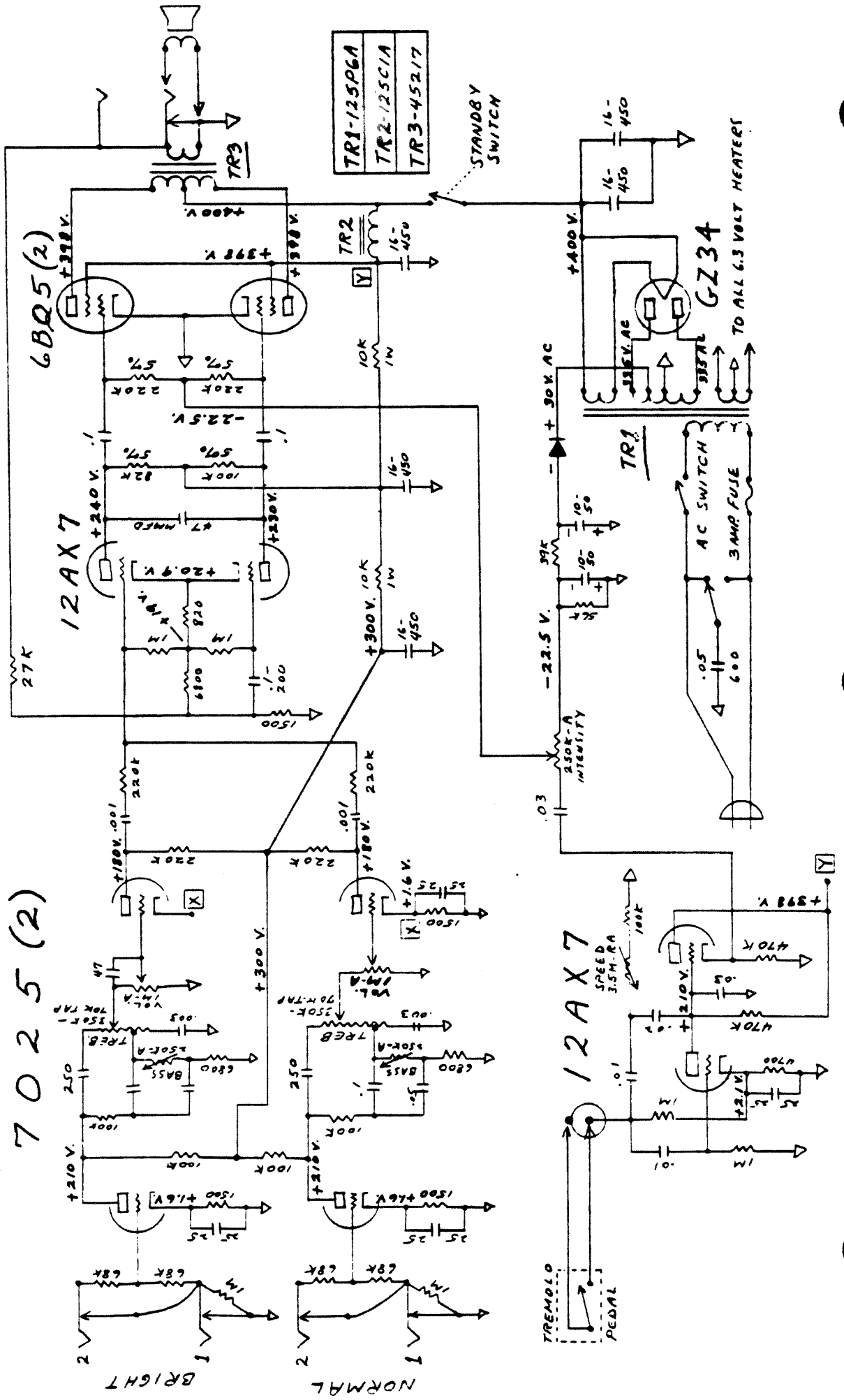


FENDER "TREMOLUX" SCHEMATIC P/B  
 MODEL 669 D-FA

NOTICE

- VOLTAGES READ TO GROUND WITH ELECTRONIC VOLTMETER. VALUES SHOWN ± OR - 20% TOLERANCE IF NOT SPECIFIED
- ALL RESISTORS 1/2 WATT, 10% TOLERANCE IF NOT SPECIFIED
- ALL CAPACITORS AT LEAST 400 VOLT RATING IF NOT SPECIFIED



TR1-125P6A
TR2-125C1A
TR3-45217

STANDBY SWITCH

GZ34

TO ALL 6.3 VOLT HEATERS

7025(2)

BRIGHT

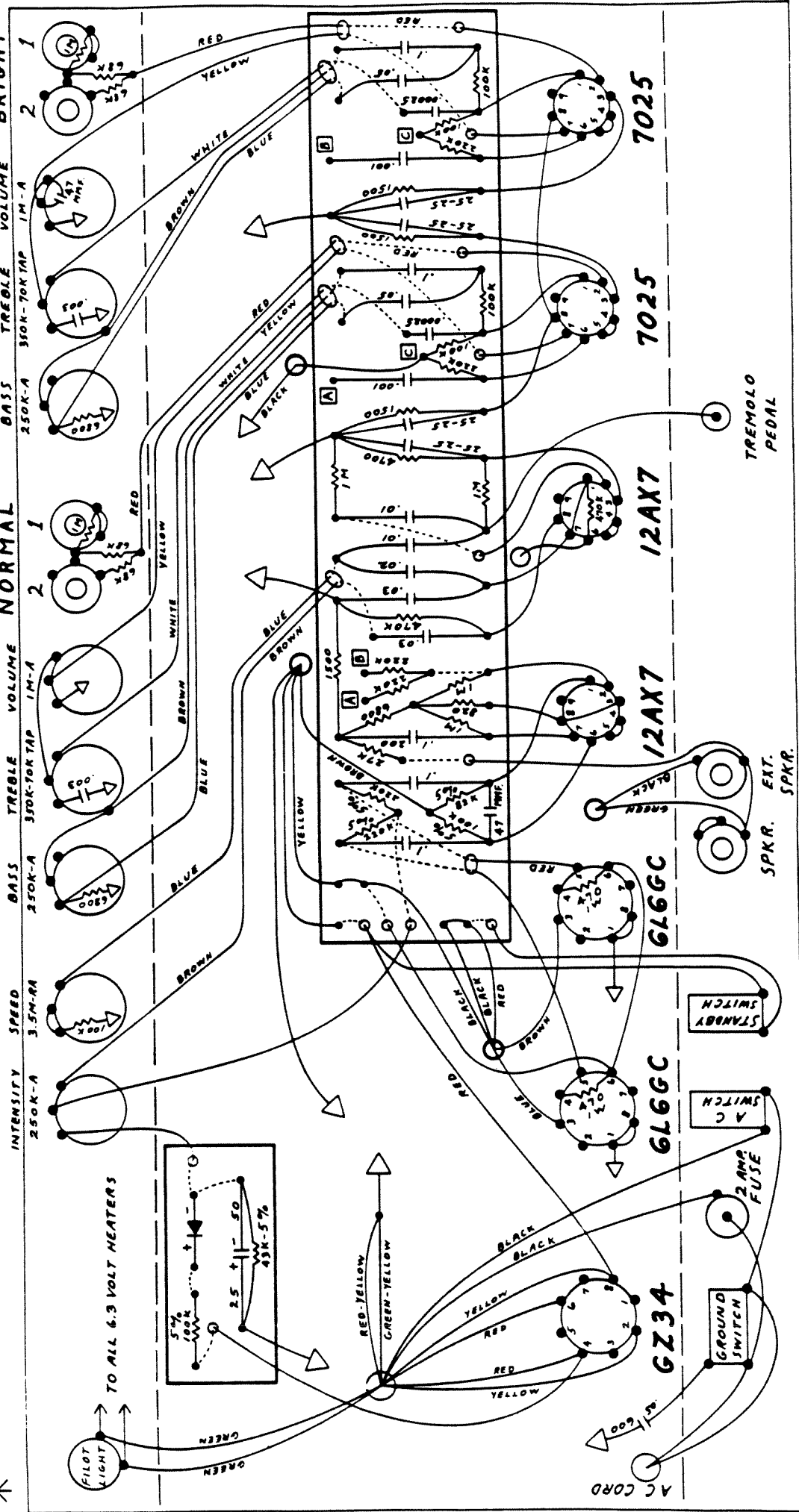
NORMAL

TREMOLO PEDAL

# FENDER "TREMOLUX" LAYOUT MODEL 6G9

## NOTICE

VOLTAGES READ TO GROUND WITH ELECTRONIC  
VOLTMETER. VALUES SHOWN  $\pm$  OR - 20%



NOTE - ALL RESISTORS 1/2 WATT, 10% TOLERANCE UNLESS SPECIFIED. NOTE - ALL CAPACITORS AT LEAST 400 VOLT RATING UNLESS SPECIFIED

\* REVISION FOR CONVERTING OUTPUT TUBES FROM 6BQ5s TO 6L6GCs