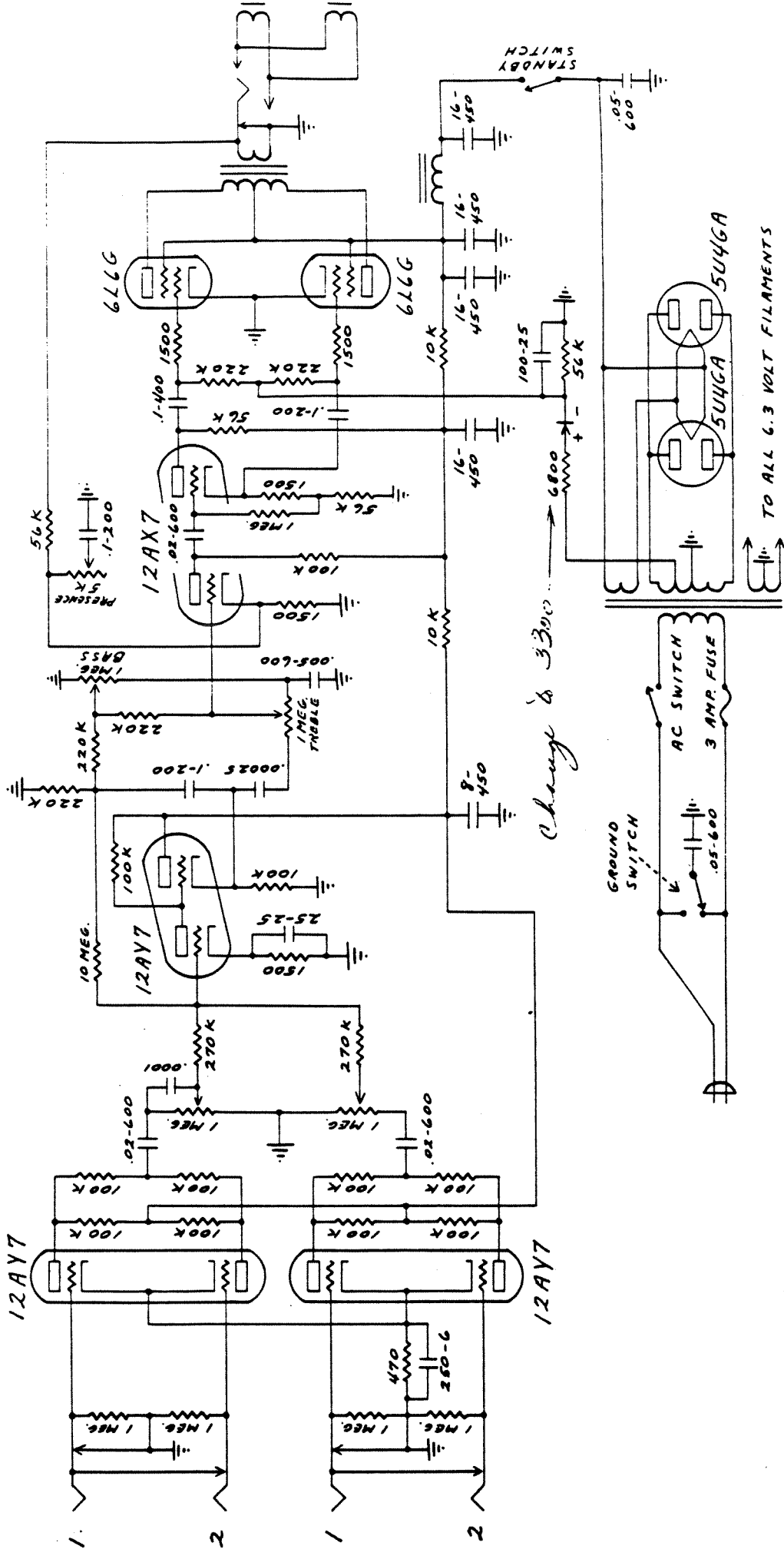


FENDER "TWIN-AMP" SCHEMATIC MODEL 5E8 A-EE



TO ALL 6.3 VOLT FILAMENTS

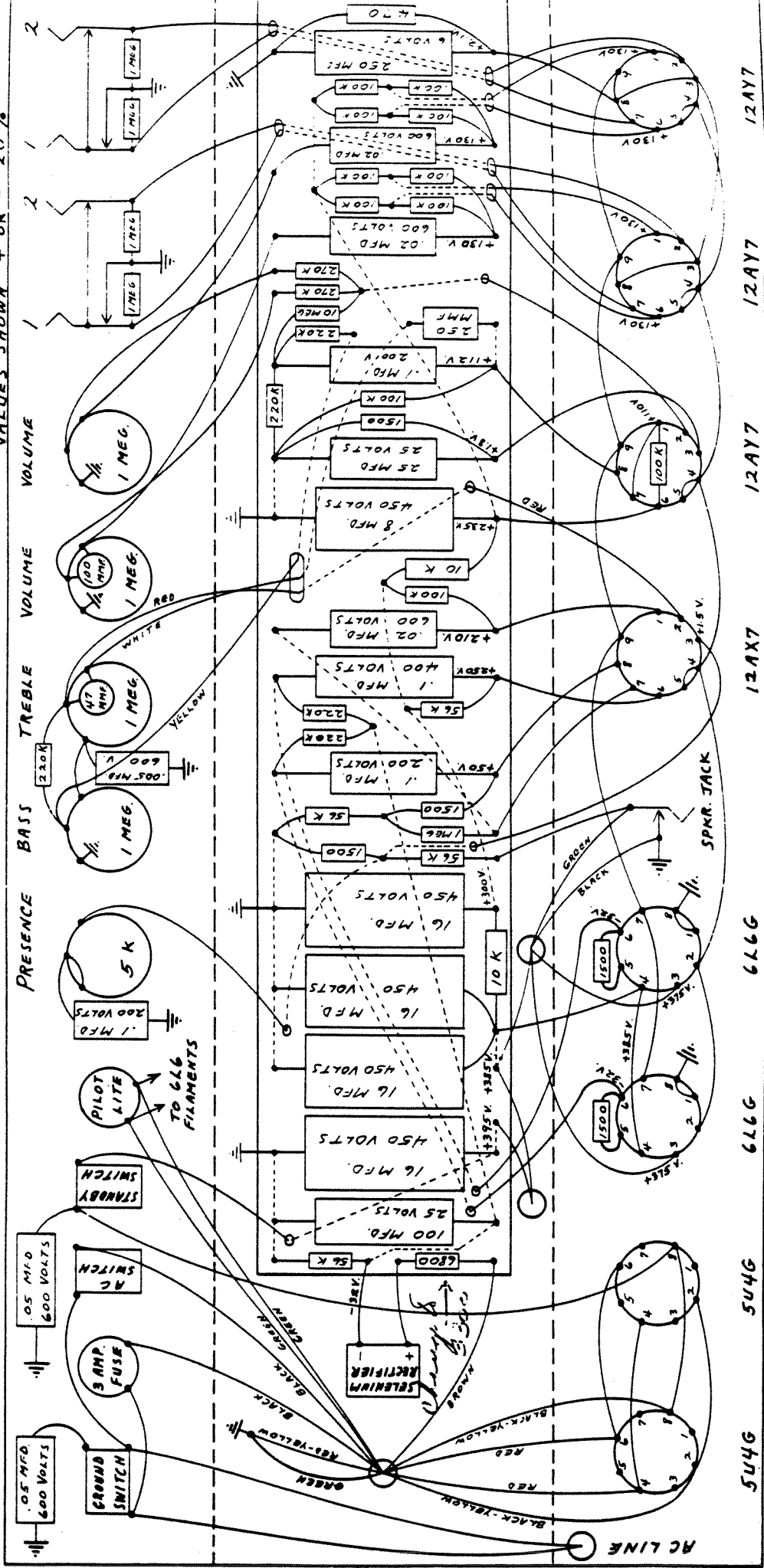
Change to 3300

FENDER "TWIN-AMP" LAYOUT

MODEL 5E8

NOTICE

VOLTAGES READ TO 15 KROUND
WITH ELECTRONIC VOLTMETER.
VALUES SHOWN + OR - 2.0%



VOLUME

VOLUME

TREBLE

BASS

PRESENCE

PILOT LITE

STANDBY SWITCH

AC SWITCH

GROUND SWITCH

12AY7

12AY7

12AY7

12AX7

6L6G

6L6G

5U4G

5U4G