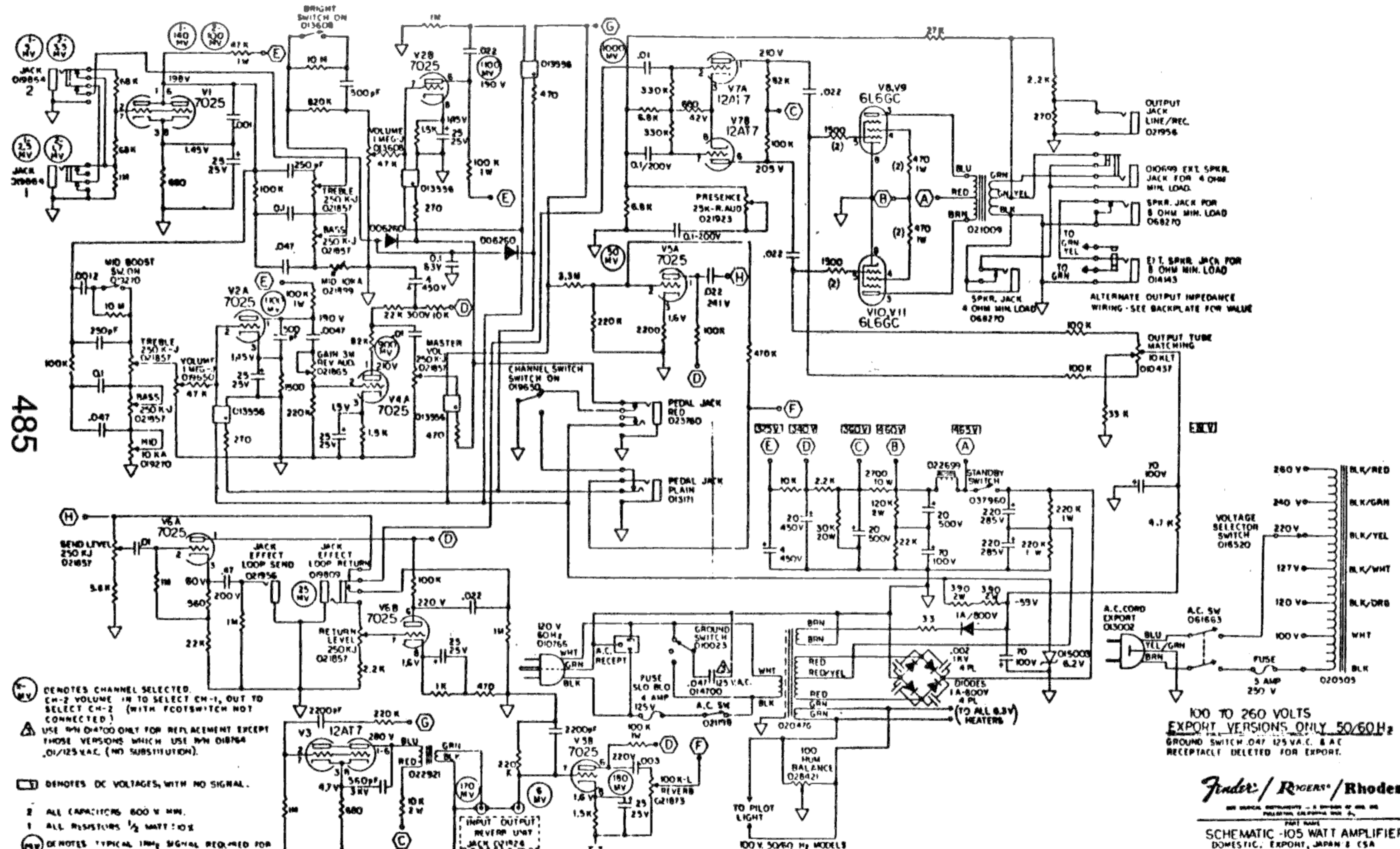


FENDER TWIN REVERB II AMPLIFIER (215500, 215501, 215502, 215508)



485

Ⓜ DENOTES CHANNEL SELECTED. CH-2 VOLUME IN TO SELECT CH-1, OUT TO SELECT CH-2 (WITH FOOTSWITCH NOT CONNECTED)
 ⚠ USE ONLY 014700 ONLY FOR REPLACEMENT EXCEPT THOSE VERSIONS WHICH USE 014700A (NO SUBSTITUTION).

Ⓛ DENOTES DC VOLTAGES, WITH NO SIGNAL.

2 ALL CAPACITORS 500 V MIN.
 1 ALL RESISTORS 1/2 WATT ±0.5%

Ⓜ DENOTES TYPICAL 100mV SIGNAL REQUIRED FOR 10 WATT RMS OUTPUT WITH ALL CONTROLS MAX GAIN MIN BOOST OFF AND DUMMY PLUG INSERTED INTO INPUT JACK #1 OR JACK #2 (GAIN MAX INCREASES SENSITIVITY OF CHANNEL #2 215500)

CAUTION 300 VOLTS AVAILABLE - DISCONNECT POWER SUPPLY AND ALLOW AT LEAST 30 SEC. FOR VOLTAGES TO BLEED OFF BEFORE SERVICING AMPLIFIER.

100 TO 260 VOLTS
 EXPORT VERSIONS ONLY 50/60 Hz
 GROUND SWITCH 0147125 V.A.C. & A.C. RECEPTACLE DELETED FOR EXPORT.

Fender / RIVERS / Rhodes
THE MUSICAL INSTRUMENTS DIV. OF GENERAL ELECTRIC COMPANY, SANTA CLARA, CALIFORNIA, U.S.A.
 PART NAME
SCHEMATIC - 105 WATT AMPLIFIER
 DOMESTIC, EXPORT, JAPAN & CSA

REV. 1	DATE	PART NO.	REV.
1	11/68	020905	1
DRAWN BY		CHECKED BY	
D		B	

Part #021476

Footswitch for Fender '83 Concert, Twin Reverb II

Red Jack

Tip: -6.2Vdc
Ring: Hi Gain
Shield: Gnd

Plain Jack

Tip: Clean
Ring: Reverb
Shield: Gnd

