

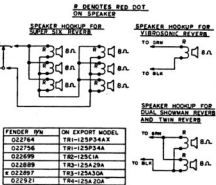
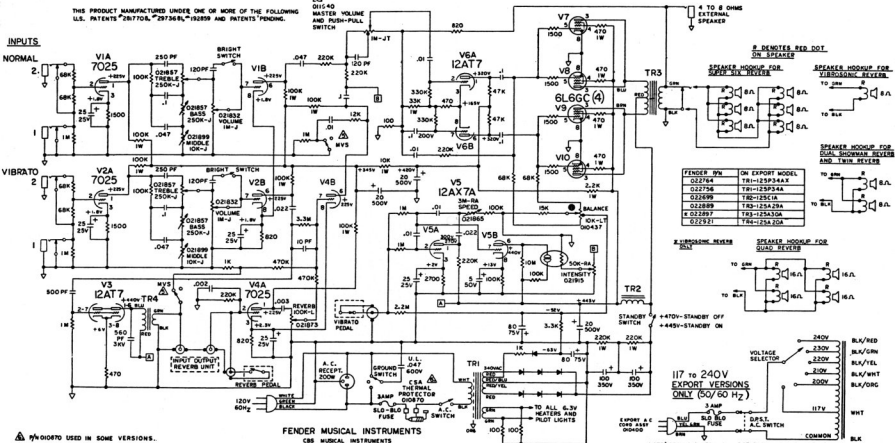
THIS PRODUCT MANUFACTURED UNDER ONE OR MORE OF THE FOLLOWING U.S. PATENTS 2877708, 2973681, 192899 AND PATENTS PENDING.

⚠️ 015-40
MASTER VOLUME
AND PUSH-PULL
SWITCH

INPUTS

NORMAL

VIBRATO



- ⚠️ 010470 USED IN SOME VERSIONS.
- MASTER VOLUME PUSH-PULL SWITCH DESIGNATED MVS SHOWN IN "OUT" POSITION, PUSH IN FOR PURE SOUND. USED IN SOME VERSIONS.
- FENDER #N FOR CONTROLS INDICATED.
- ALL CAPACITORS AT LEAST 600V, W.V.D.C.
- ALL RESISTORS 1/2 WATT ± 10%.
- VOLTAGES READ TO GROUND WITH V.T.V.M. WITH VIBRATO GROUNDING (EXCEPT V5) - NO INPUT SIGNAL.

FENDER MUSICAL INSTRUMENTS
CBS MUSICAL INSTRUMENTS
A DIVISION OF COLUMBIA BROADCASTING SYSTEMS INC.
FULLERTON, CALIFORNIA
U.S.A.

MODEL NO.	USED ON	UNLESS OTHERWISE SPECIFIED	DATE	BY
VIBROSONIC REV. EXP.	11/17/71	ROSALES		
VIBROSONIC REVERB 1				
SUPER SIX REVERB EXP.				
DUAL REVERB (EXPORT)				
DUAL SHOWMAN REV. EXP.				
TWIN REVERB EXPORT				
SUPER SIX REVERB				
TWIN REVERB				
TWIN REVERB				

SCALE: 1" = 10"

DATE: 11/17/71

BY: ROSALES

CBS MUSICAL INSTRUMENTS
FULLERTON, CALIFORNIA

— SCHEMATIC —
100 WATTS RMS AMP
W/ REVERB AND VIBRATO

REV. NO. 1
SCALE: 1" = 10"
DATE: 11/17/71
BY: ROSALES

010182

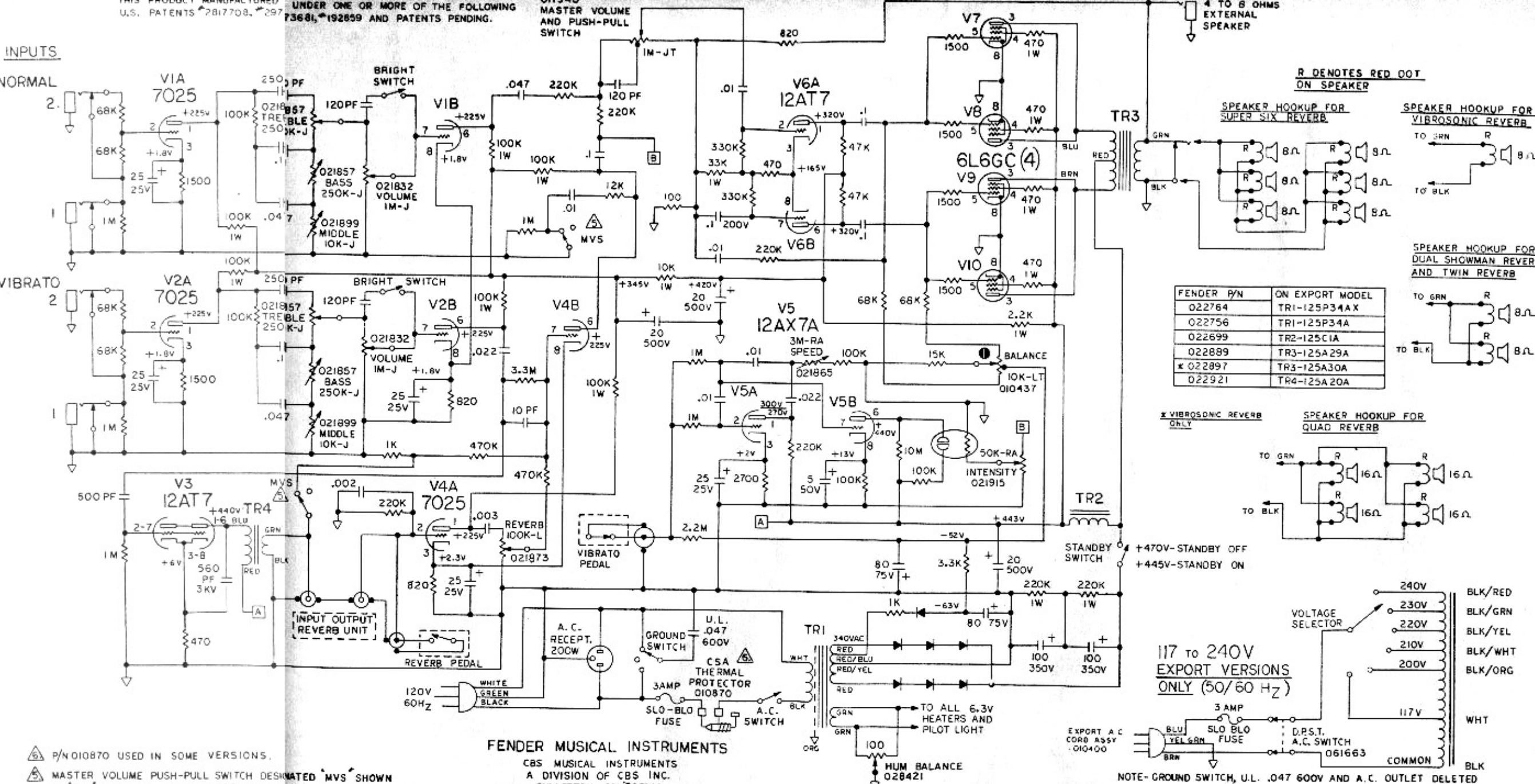
REPLACES OF PREVIOUS EDITIONS WHICH MUST BE APPROVED BY CBS (S) ENG. BEFORE STARTING PRODUCTION.

NOTES: UNLESS OTHERWISE SPECIFIED

INPUTS

NORMAL

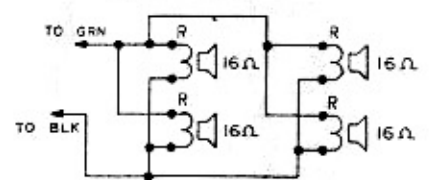
VIBRATO



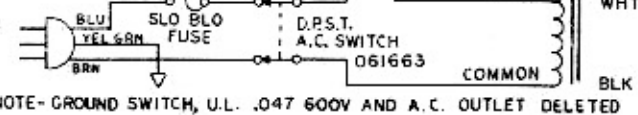
FENDER P/N	ON EXPORT MODEL
022764	TR1-125P34AX
022756	TR1-125P34A
022699	TR2-125C1A
022889	TR3-125A29A
*022897	TR3-125A30A
022921	TR4-125A20A

VIBROSONIC REVERB ONLY

SPEAKER HOOKUP FOR QUAD REVERB



117 to 240V EXPORT VERSIONS ONLY (50/60 HZ)



NOTE- GROUND SWITCH, U.L. .047 600V AND A.C. OUTLET DELETED

FENDER MUSICAL INSTRUMENTS
CBS MUSICAL INSTRUMENTS
A DIVISION OF CBS INC.
FULLERTON, CALIFORNIA
U.S.A.

- 1. P/N 010870 USED IN SOME VERSIONS.
- 2. MASTER VOLUME PUSH-PULL SWITCH DESIGNATED 'MVS' SHOWN IN 'OUT' POSITION, PUSH IN FOR PURE SOUND. USED IN SOME VERSIONS.
- 3. FENDER P/N FOR CONTROLS INDICATED.
- 4. ALL CAPACITORS AT LEAST 600V, W.V.D.C.
- 5. ALL RESISTORS 1/2 WATT ± 10%.
- 6. VOLTAGES READ TO GROUND WITH V.T.V. WITH VIBRATO GROUND (EXCEPT V5) - NO INPUT SIGNAL.

	VIBROSONIC REV. EXP.
	VIBROSONIC REVERB
	SUPER SIX REVERB EXP.
	QUAD REVERB EXPORT
	DUAL SHOWMAN REV. EXP.
	TWIN REVERB EXPORT
CFAT106	SUPER SIX REVERB
CFAT104	QUAD REVERB
TFL5000D	DUAL SHOWMAN REVERB
	TWIN REVERB

CBS MUSICAL INSTRUMENTS
FULLERTON, CALIFORNIA

DRWG. TITLE — SCHEMATIC —

**100 WATTS RMS AMP
W/ REVERB AND VIBRATO**

DRWG. NO. 010182

REV. G