

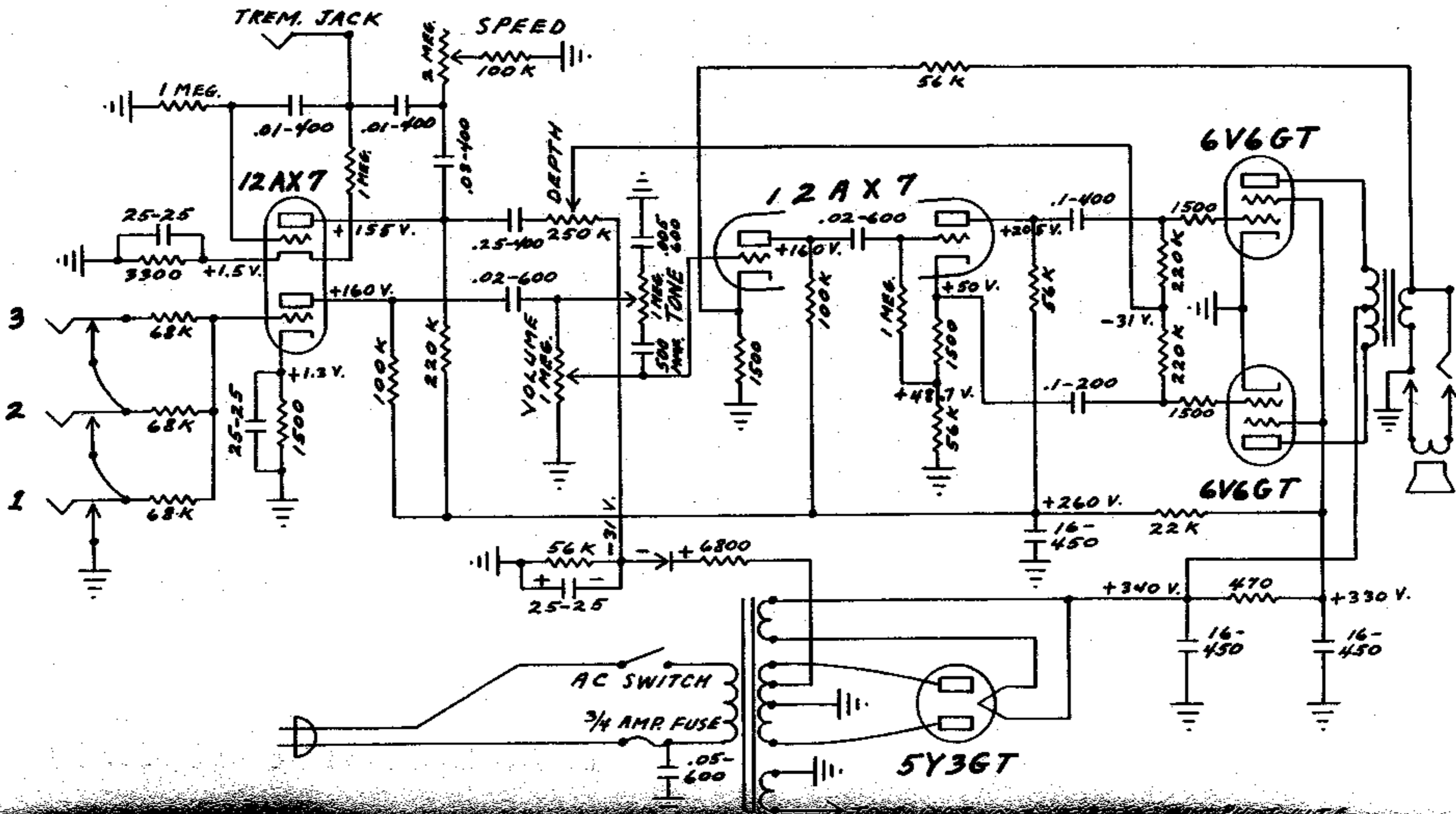
# FENDER "VIBROLUX" SCHEMATIC

## MODEL 5E11

# NOTICE

VOLTAGES READ TO  
GROUND WITH V.T.V.M.  
VALUES SHOWN + OR - 20%

G-EF



# FENDER "VIBROLUX" LAYOUT

MODEL 5E11

# NOTICE

VOLTAGES READ TO GROUND  
WITH ELECTRONIC VOLTMETER.  
VALUES SHOWN + OR - 20 %

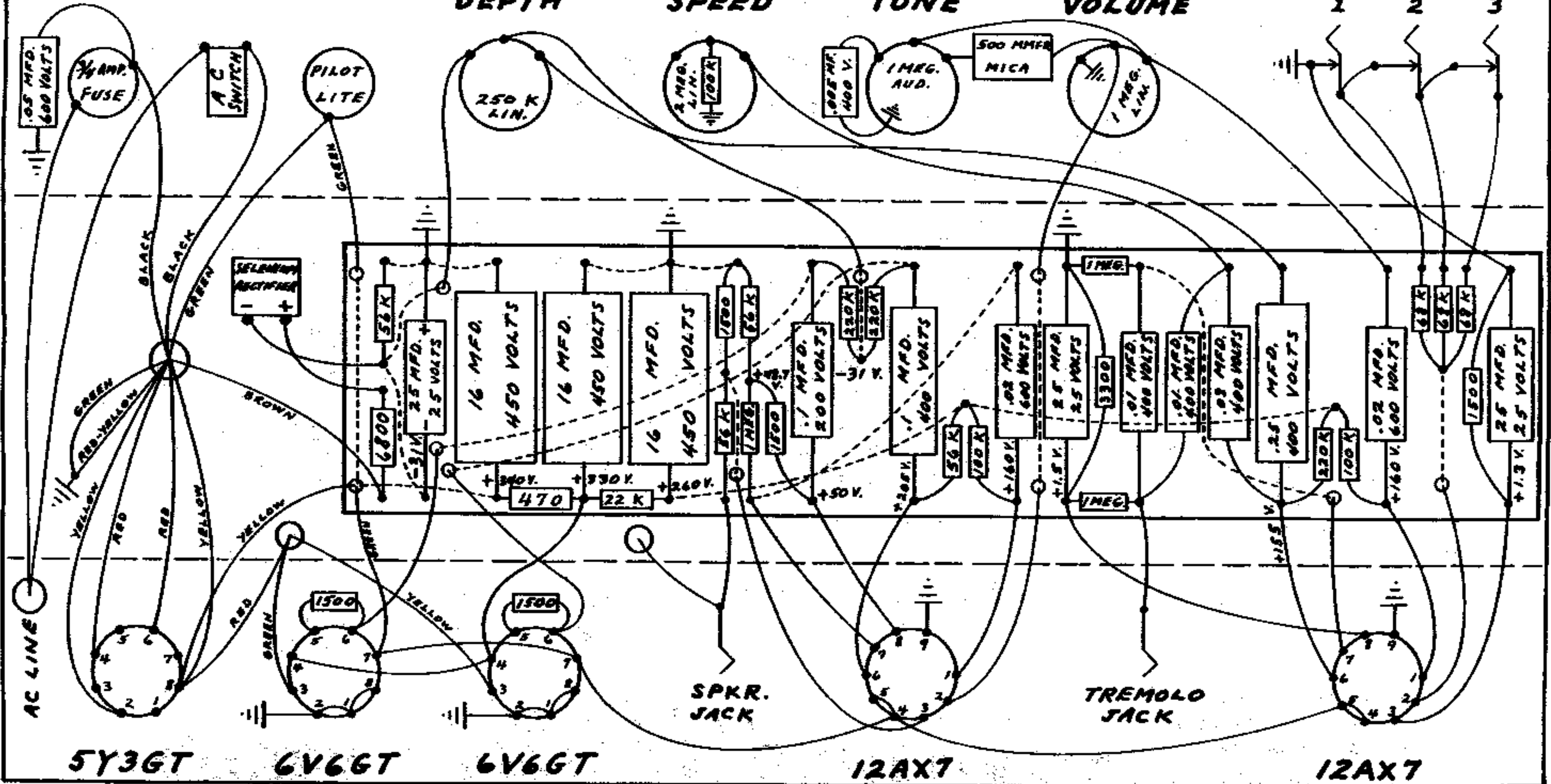
G-EF

DEPTH

SPEED

1 2 3

TONE



5Y3GT

6V6GT

6V6GT

12AX7

12AX7