

FENDER "VIBROVERB-AMP" SCHEMATIC

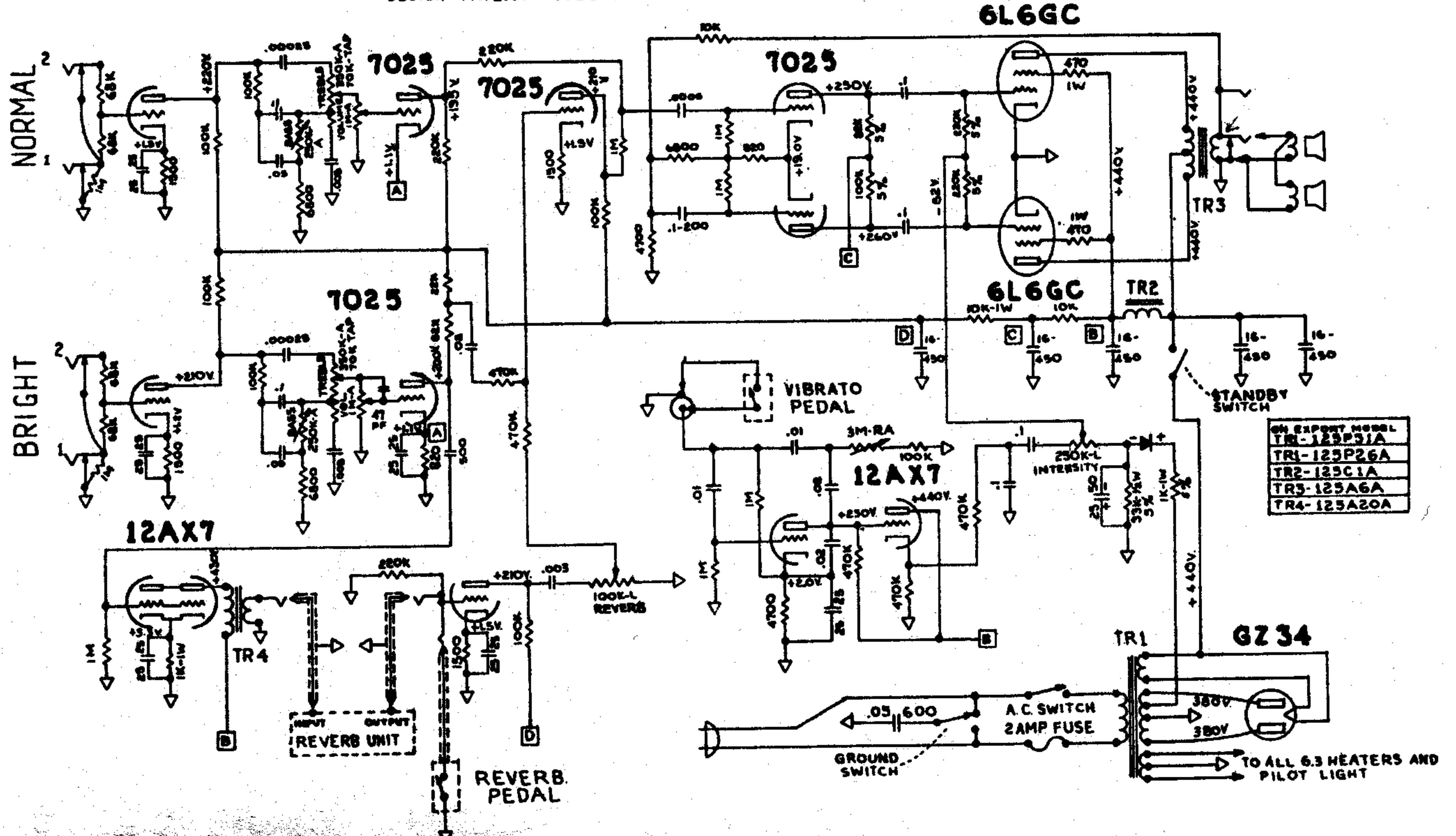
MODEL 6G16

D-FC

THIS PRODUCT MANUFACTURED UNDER ONE OR MORE OF THE FOLLOWING U.S. PATENTS -
 CIRCUIT PATENT # 2817708, #2973681
 DESIGN PATENT # 192899

NOTICE

- 1 - VOLTAGES READ TO GROUND WITH ELECTRONIC VOLTMETER. VALUES SHOWN \pm OR - 20%
- 2 - ALL RESISTORS $\frac{1}{2}$ WATT, 10% TOLERANCE IF NOT SPECIFIED.
- 3 - ALL CAPACITORS AT LEAST 400 VOLT RATING IF NOT SPECIFIED.



ON EXPORT MODEL
TR1-125P31A
TR2-125C1A
TR3-125A6A
TR4-125A20A

NORMAL

BRIGHT

6L6GC

7025

7025

7025

7025

6L6GC

12AX7

VIBRATO PEDAL

12AX7

6Z34

REVERB UNIT

REVERB PEDAL

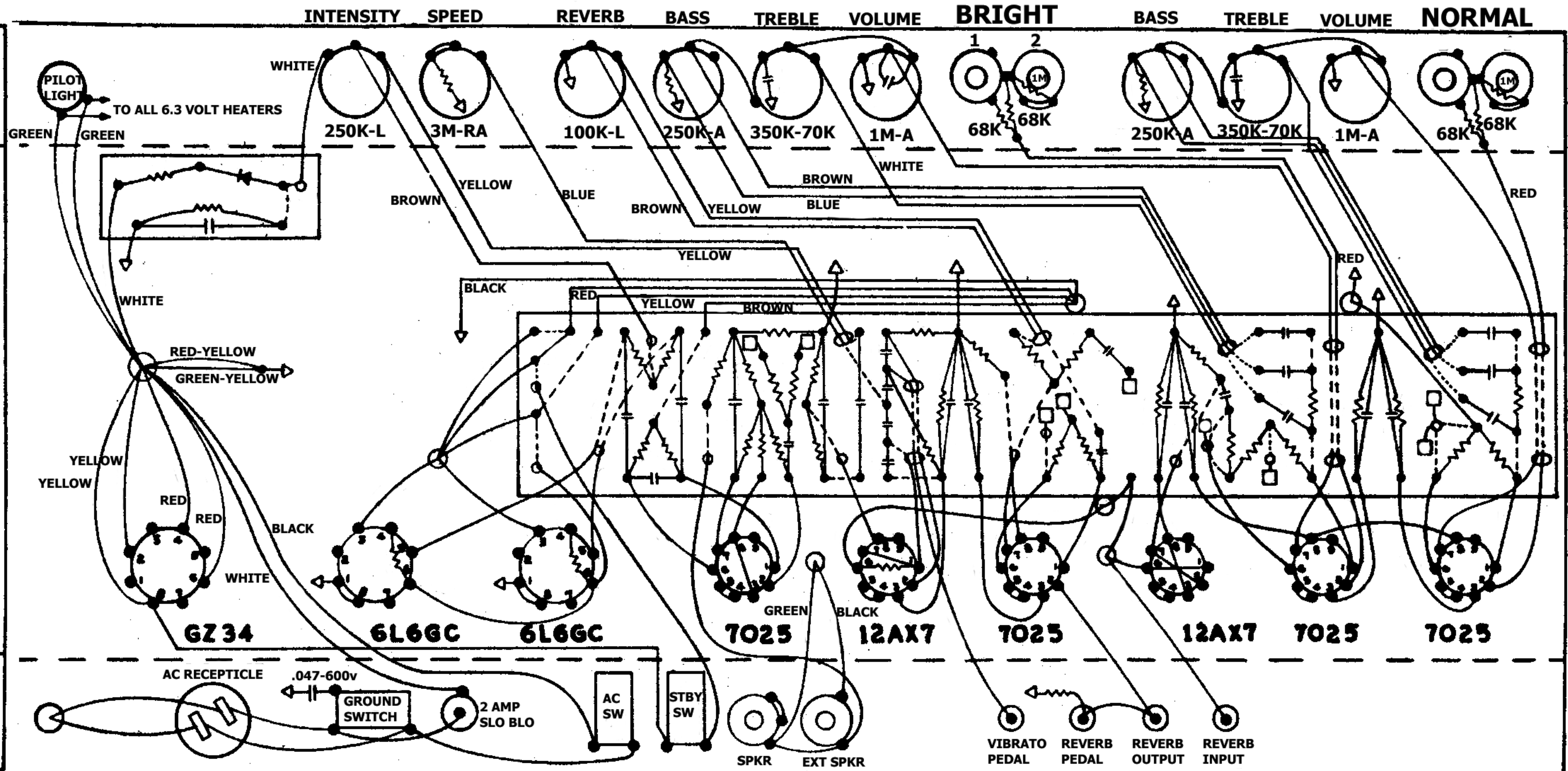
A.C. SWITCH
2AMP FUSE

GROUND SWITCH

STANDBY SWITCH

TO ALL 6.3 HEATERS AND PILOT LIGHT

FENDER "BROWN" VIBROVERB AMP LAYOUT - MODEL 6G16



NOTE: ALL RESISTORS 1/2 WATT 10% TOLERANCE IF NOT SPECIFIED

NOTE: ALL CAPACITORS AT LEAST 400 VOLTS RATING IF NOT SPECIFIED

