

35 WATT PUBLIC ADDRESS AMPLIFIER

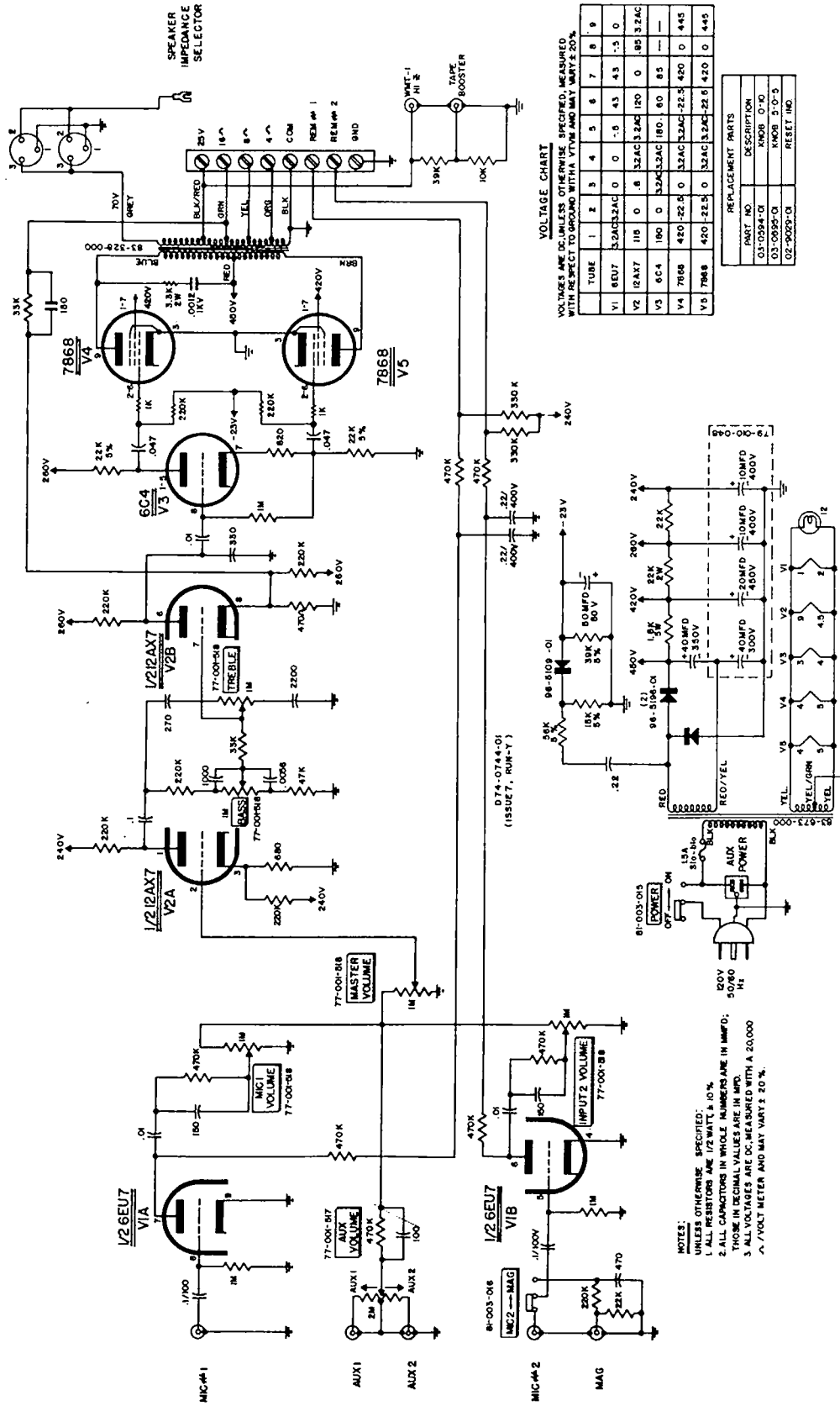


Figure 4 - Schematic Diagram