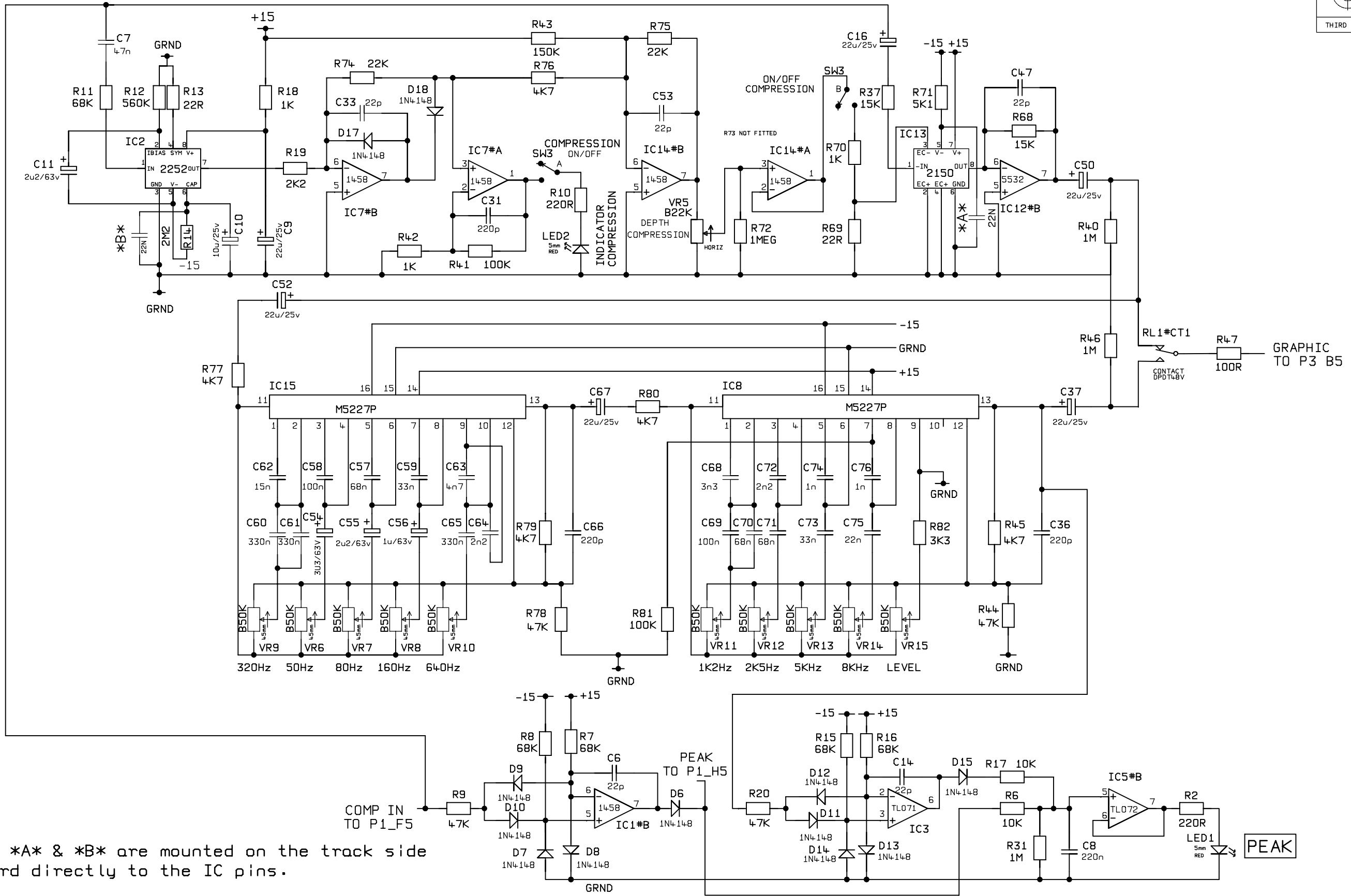
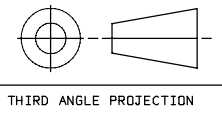




DWG.No. 7400-60-0B



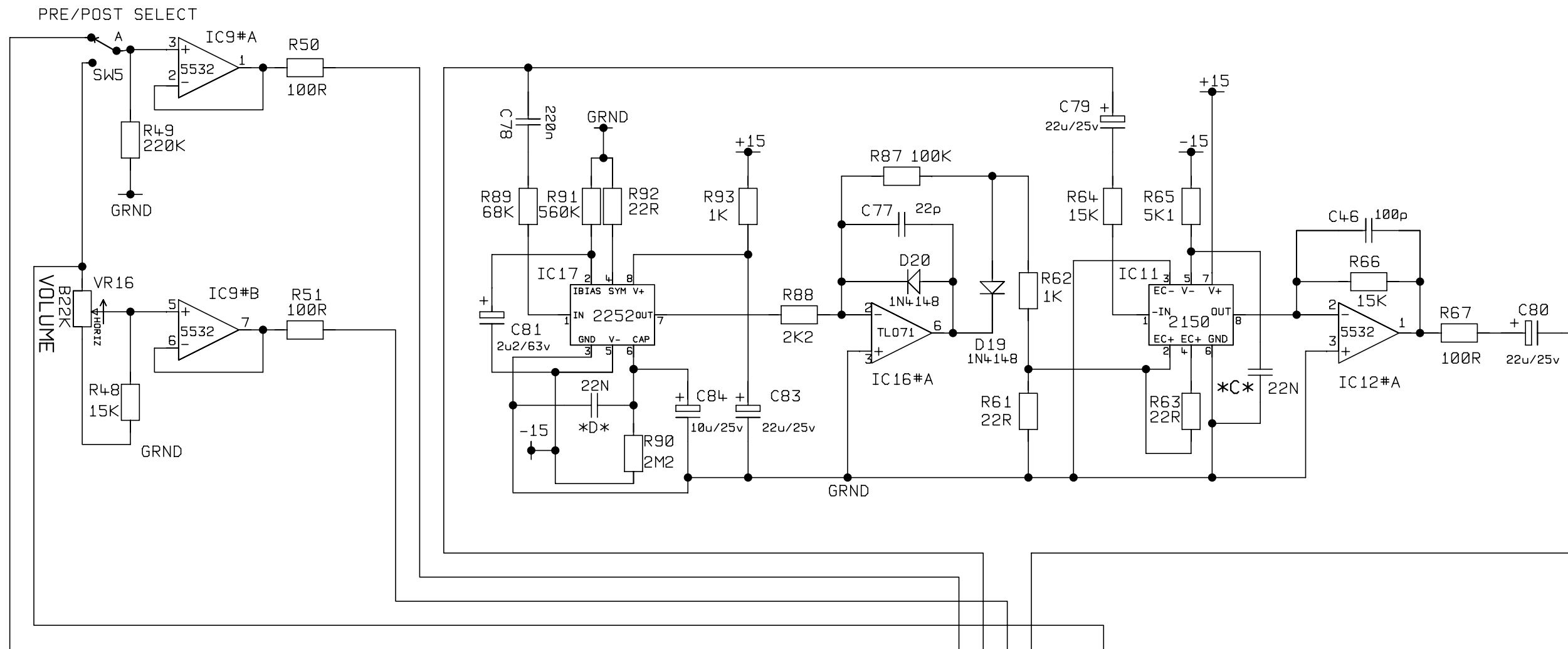
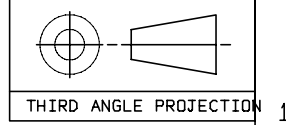
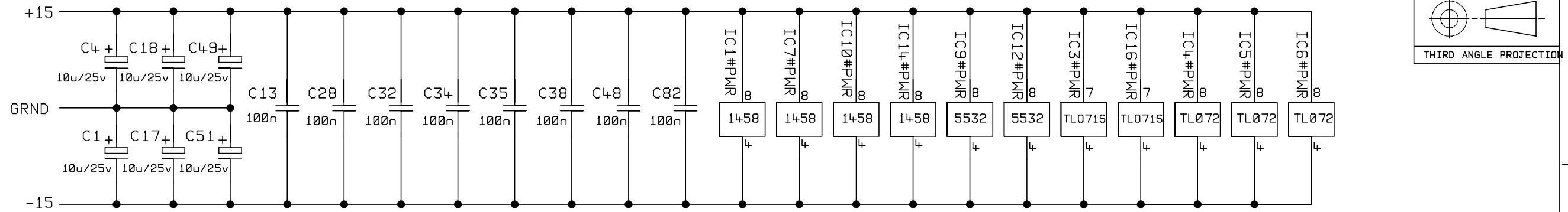
**NOTE !**

Components \*A\* & \*B\* are mounted on the track side of the board directly to the IC pins.

ALL SWITCHES SHOWN IN OFF POSITION  
TO P1 F5 = TO PAGE 1 GRID REF F5

UNSPECIFIED HOLE DATA			MATERIAL		DIMENSIONS IN		TITLE		
5	0881	1/8/95	A	H	MATERIAL THICKNESS	TOLERANCE (UNLESS OTHERWISE STATED)			TITLE
4	0907	30/3/95	B	J	INTERNAL BEND RADI	DIMENSIONAL			COMPGRAF
3	0600	11.5.94	C	K	EXTERNAL B/A	CENTRES	A2		2 OFF 8
2	0485	09/12/93	D	L	BEND DIE	ANGULAR	DWG.No		ISSUE
1	MANUFACTURE RELEASE	19/11/93	E	M	DRAWN B.K.	DATE 20.04.93	7400 (BASS)		7400-60-0B
ISS	ECO NUMBER	DATE	F	N	CHECKED	DATE	©MARSHALL AMPLIFICATION PLC. DENBIGH ROAD, BLETCHLEY, MILTON KEYNES, MK1 1DG. TEL (0908)375411 FAX (0908)376118		5
			G	P	APPROVED	DATE			

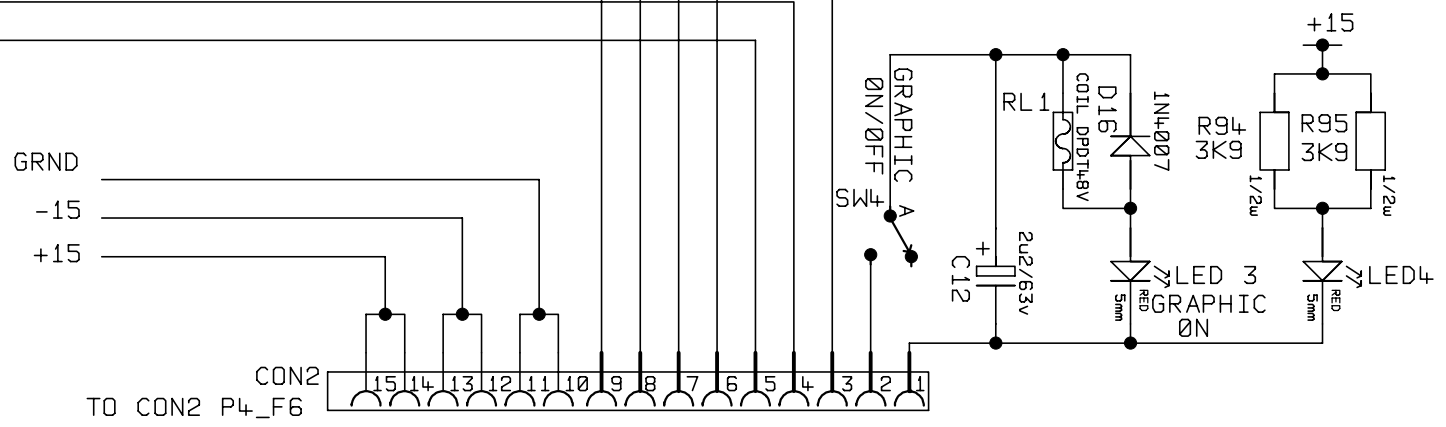
DWG.No. 7400-60-0C



GRAPHIC OUT TO P2\_H3

**NOTE !**  
 Components \*C\* & \*D\* are to be mounted on the track side of the board as close to the IC pins as possible.

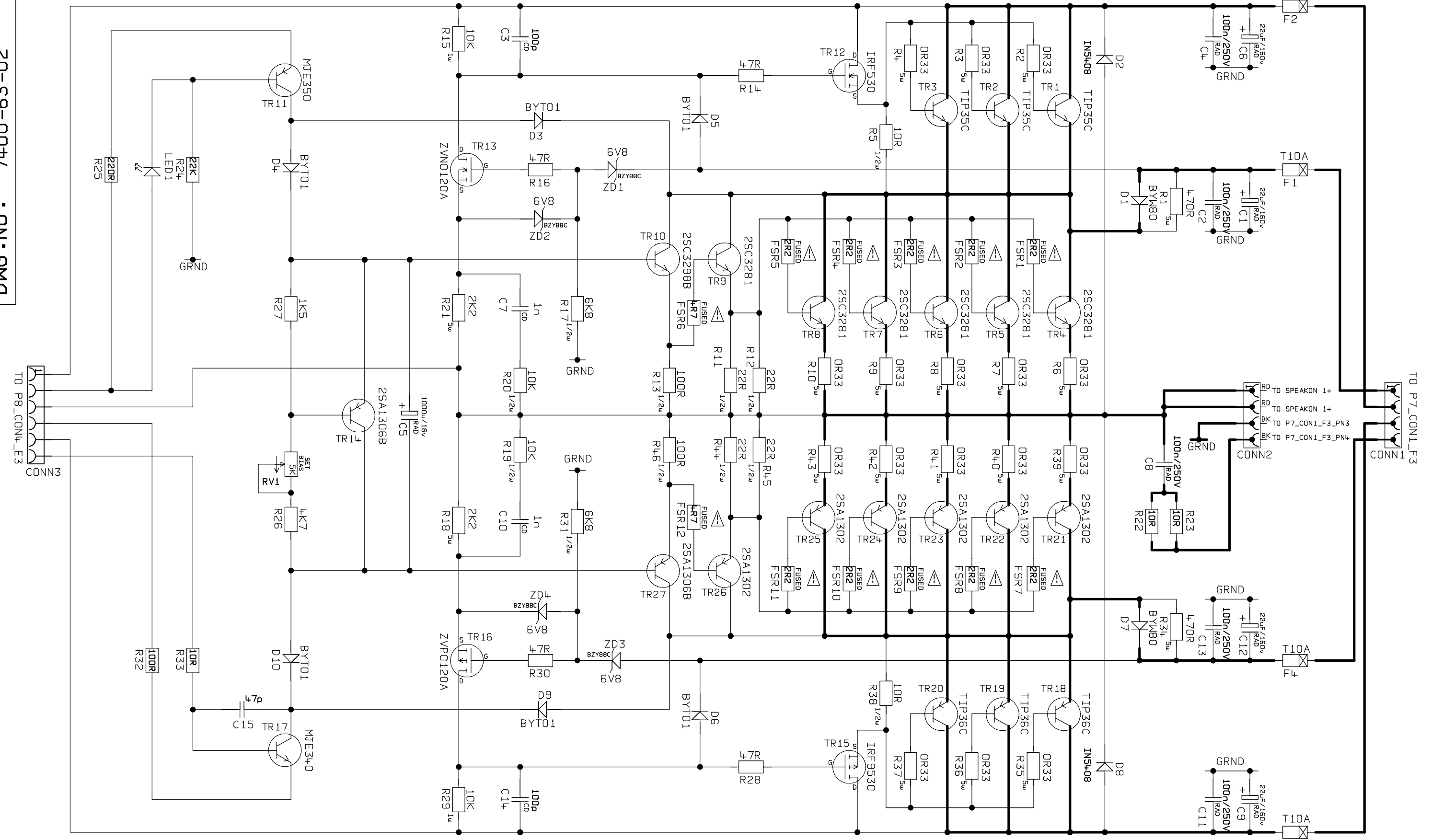
ALL SWITCHES SHOWN IN OFF POSISTION TO P2\_H3 = TO PAGE 2 GRID REF H3



UNSPECIFIED HOLE DATA			MATERIAL		DIMENSIONS IN		TITLE	
5	Ø881	1/8/95	A	H	TOLERANCE (UNLESS UTERWISE STATED)			
4	Ø752	10/11/94	B	J	DIMENSIONAL			
3	Ø598 Ø600	11/5/94	C	K	CENTRES		3 OFF 8	
2	Ø485	09/12/93	D	L	ANGULAR		DWG.No	
1	MANUFACTURE RELEASE	19/11/93	E	M	MODEL		7400-60-0C	
ISS	ECO NUMBER	DATE	F	N	7400 (BASS)		ISSUE	
			G	P	© MARSHALL AMPLIFICATION PLC. DENBIGH ROAD, BLETCHLEY, MILTON KEYNES, MK1 1DQ. TEL (0908)375411 FAX (0908)375118		5	

NOTE . 1) CAUTION! REPLACE FUSIBLE RESISTORS WITH SAME TYPE AND RATING. 2) ATTENTION! UTILISER UN FUSIBLE RESISTORS DE RECHARGE DE MEME TYPE.

DWG.No. 7400-63-02



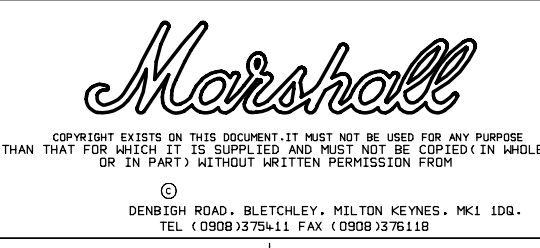
TO P7\_CON1\_F3\_PN4 = TO PAGE 7 CONNECTOR 1 GRID REF F3 PIN4

5	0576	18/03/94
4	0569	11/03/94
3	0524	27/1/94
2	0485	10/12/93
1	FIRST RELEASE	25/06/93
ISS	ECO NUMBER	DATE

UNSPECIFIED HOLE DATA	
A	H
B	J
C	K
D	L
E	M
F	N
G	P

MATERIAL	
MATERIAL THICKNESS	
INTERNAL BEND RADII	
EXTERNAL B/A	
BEND DIE	
DRAWN B.K.	DATE 27.05.93
CHECKED	DATE
APPROVED	DATE

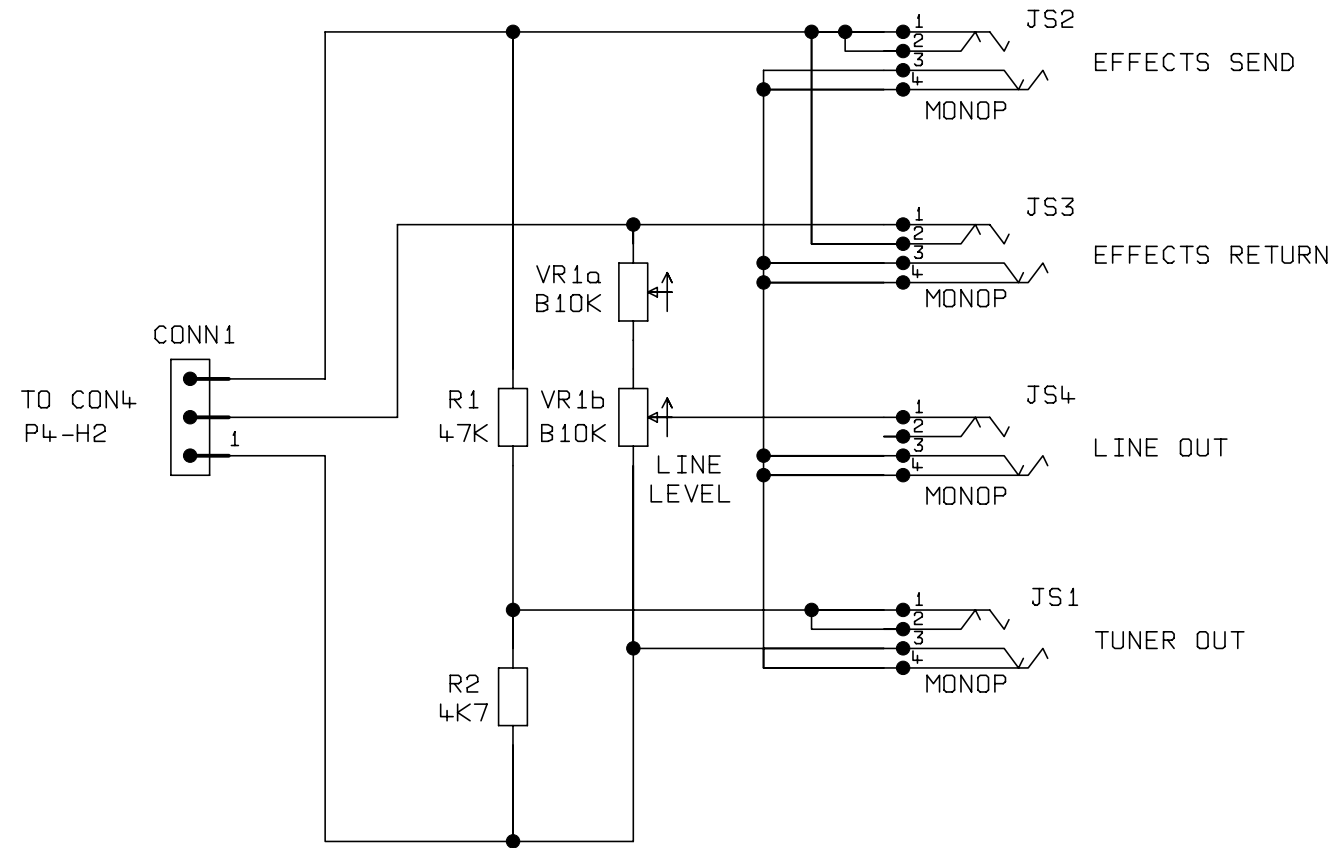
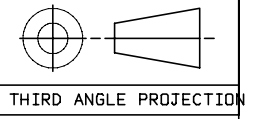
DIMENSIONS IN	
TOLERANCE (UNLESS OTHERWISE STATED)	
DIMENSIONAL	
CENTRES	
ANGULAR	
MODEL	7400(BASS)



TITLE	POWER AMP.
DWG.No	7400-63-02
ISSUE	5

6 OFF 8

DWG.No. 7400-62-02

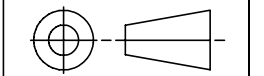


UNSPECIFIED HOLE DATA			MATERIAL		DIMENSIONS IN		TITLE
A	B	H	MATERIAL THICKNESS	TOLERANCE (UNLESS OTHERWISE STATED)	DIMENSIONAL	EFFECTS CCT 5 OFF 8	
		J	INTERNAL BEND RADII		CENTRES		
		K	EXTERNAL B/A		ANGULAR		
3	0600	11/05/94	BEND DIE		MODEL	<small>COPYRIGHT EXISTS ON THIS DOCUMENT. IT MUST NOT BE USED FOR ANY PURPOSE THAN THAT FOR WHICH IT IS SUPPLIED AND MUST NOT BE COPIED (IN WHOLE OR IN PART) WITHOUT WRITTEN PERMISSION FROM ©MARSHALL AMPLIFICATION PLC. DENBIGH ROAD, BLETCHLEY, MILTON KEYNES, MK1 1DQ. TEL (0908)375411 FAX (0908)376118</small>	
2	0485	09/12/93	DRAWN B.K.	DATE 06.04.93	7400 (BASS)		DWG.No
1	FIRST RELEASE	02/09/93	CHECKED	DATE			ISSUE
ISS	ECO NUMBER	DATE	APPROVED	DATE			7400-62-02 3

DWG.No. 7400-65-02

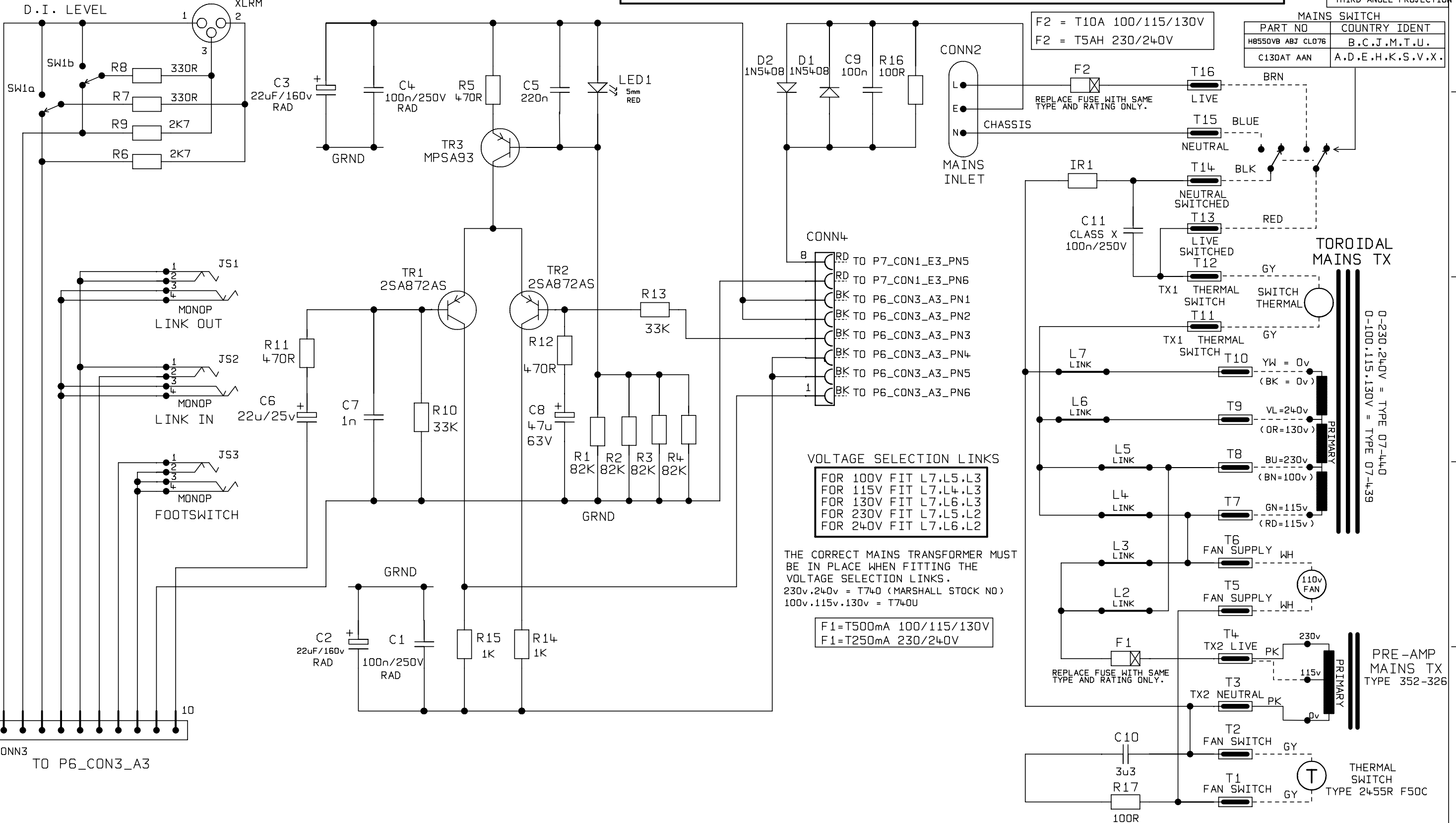
D.I LEVEL SWITCH SHOWN IN "OUT" POSITION

**NOTE.** 1) CAUTION! REPLACE FUSIBLE RESISTORS WITH SAME TYPE AND RATING. 2) ATTENTION! UTILISER UN FUSIBLE RESISTORS DE RECHARGE DE MEME TYPE.



THIRD ANGLE PROJECTION

PART NO		COUNTRY IDENT	
H8550VB ABJ CL076		B.C.J.M.T.U.	
C130AT AAN		A.D.E.H.K.S.V.X.	



**VOLTAGE SELECTION LINKS**  
 FOR 100V FIT L7.L5.L3  
 FOR 115V FIT L7.L4.L3  
 FOR 130V FIT L7.L6.L3  
 FOR 230V FIT L7.L5.L2  
 FOR 240V FIT L7.L6.L2

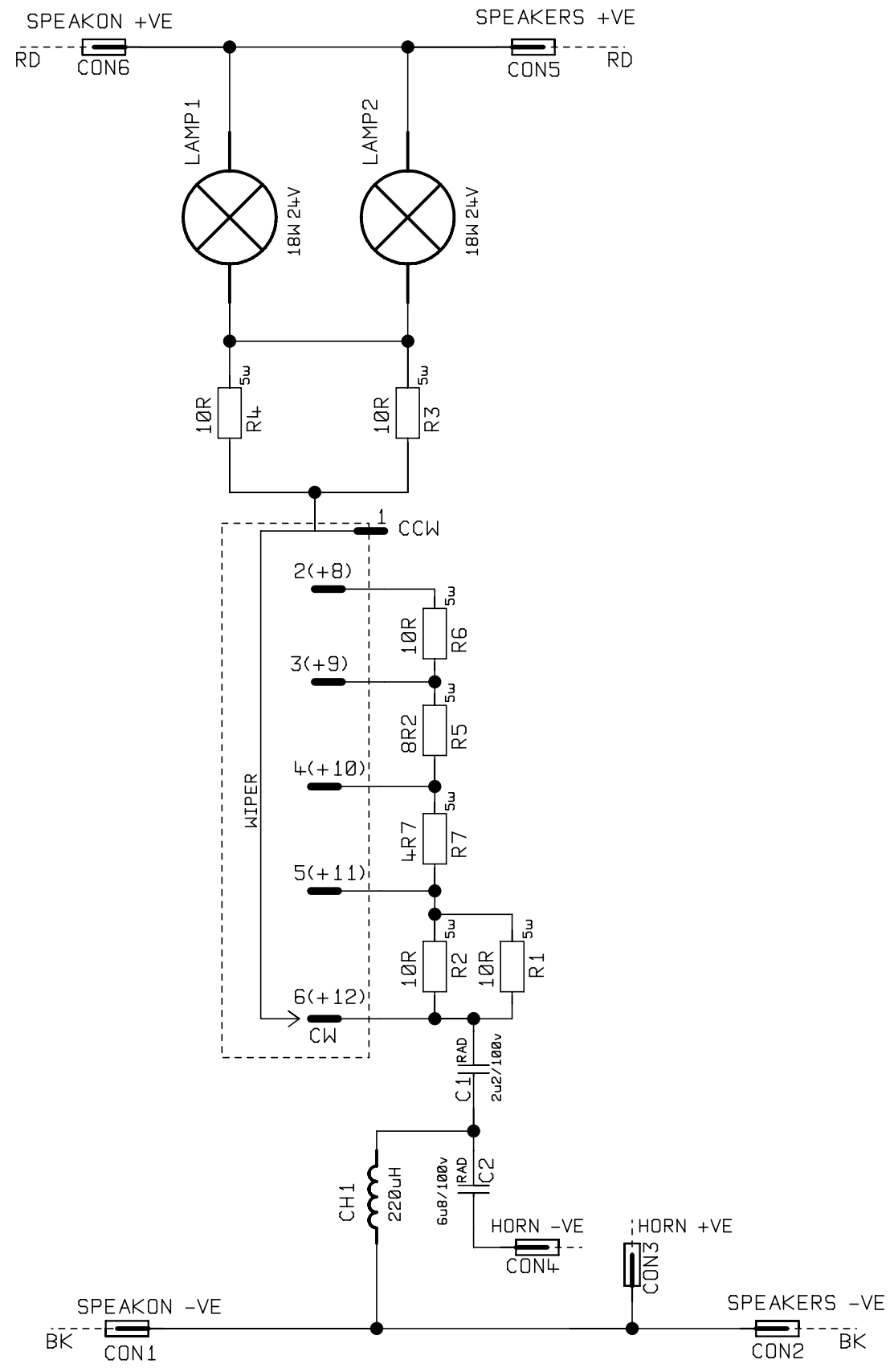
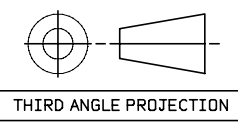
THE CORRECT MAINS TRANSFORMER MUST BE IN PLACE WHEN FITTING THE VOLTAGE SELECTION LINKS.  
 230v,240v = T740 (MARSHALL STOCK NO)  
 100v,115v,130v = T740U

F1=T500mA 100/115/130V  
 F1=T250mA 230/240V

TO P6\_CON3\_A3\_PN5 = TO PAGE 6 CONNECTOR 3 GRID REF A3 PIN 5.  
 (BK = 0v) = 100,115,130v TRANSFORMER WIRE COLOUR AND VOLTAGE.  
 DOTTED WIRES DENOTE WIRES OFF THE P.C.B.

7	1340	10/12/96	UNSPECIFIED HOLE DATA			MATERIAL	DIMENSIONS IN		<p>COPYRIGHT EXISTS ON THIS DOCUMENT. IT MUST NOT BE USED FOR ANY PURPOSE THAN THAT FOR WHICH IT IS SUPPLIED AND MUST NOT BE REPRODUCED OR IN PART) WITHOUT WRITTEN PERMISSION FROM          © MARSHALL AMPLIFICATION PLC.          DENBIGH ROAD, BLETCHLEY, MILTON KEYNES, MK1 1DQ.          TEL (0908)375411 FAX (0908)376118</p>	TITLE	
6	0844	17/01/95	A	H	MATERIAL THICKNESS	TOLERANCE (UNLESS OTHERWISE STATED)		OUTPUT CCT			
5	0600 0622	30/05/94	B	J	INTERNAL BEND RADII	DIMENSIONAL		8 OFF 8			
4	0569	14/03/94	C	K	EXTERNAL B/A	CENTRES		DWG.No			
3	0577	25/2/94	D	L	BEND DIE	ANGULAR		7400-65-02			
2	0485	10/12/93	E	M	DRAWN B.K	DATE 27/05/93	MODEL	ISSUE			
1	FIRST RELEASE	10/08/93	F	N	CHECKED	DATE	7400 (BASS)		7		
ISS	ECO NUMBER	DATE	G	P	APPROVED	DATE					

DWG.No. 7400-66-02

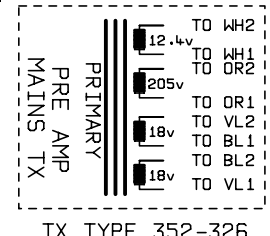
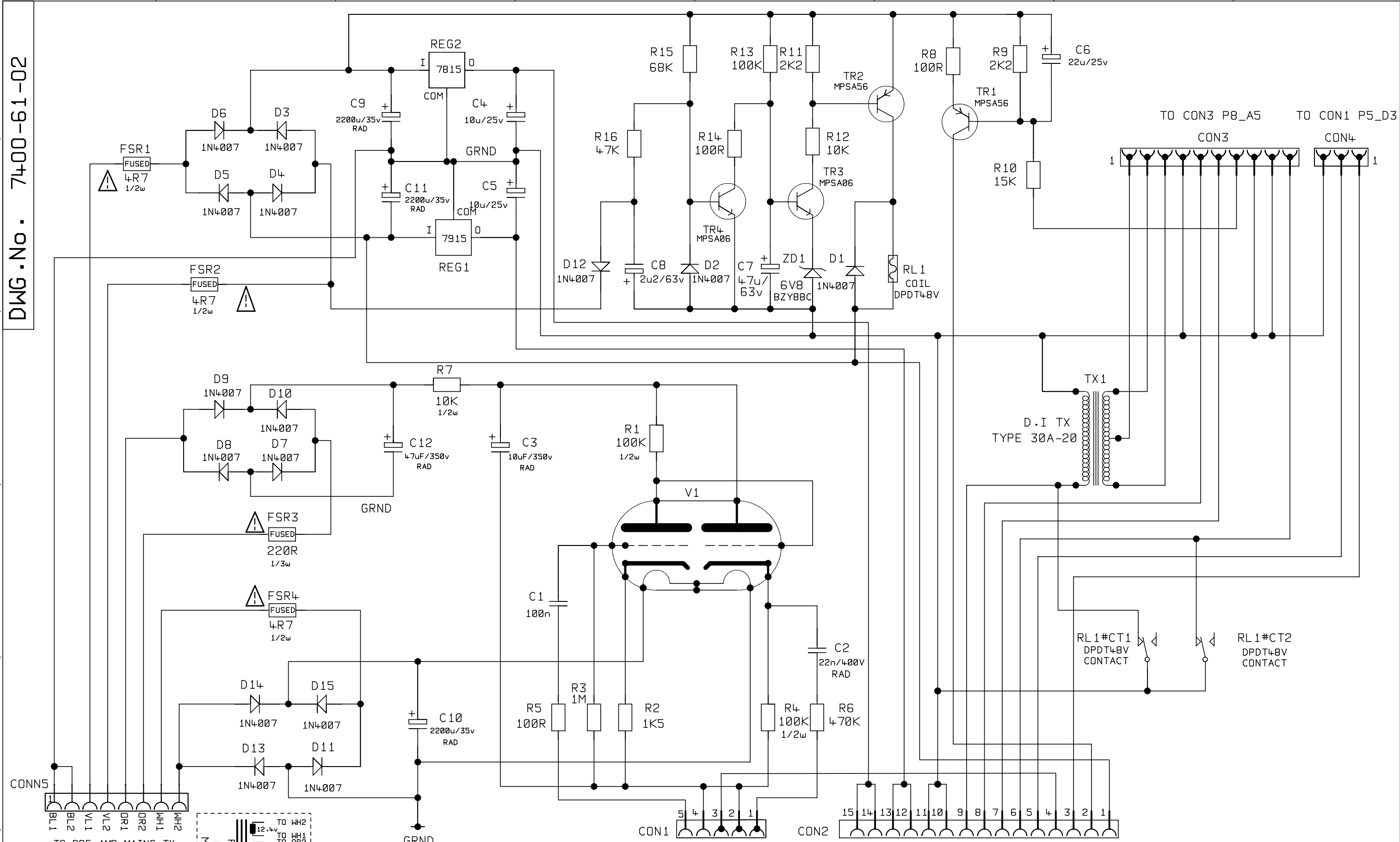


**NOTE**

- 1) DOTTED LINES DENOTE WIRES OFF THE BOARD.
- 2) SWITCH DETAIL  
2(+8) = CONTACT 2 & 8 ARE PARALLELED TOGETHER

UNSPECIFIED HOLE DATA			MATERIAL		DIMENSIONS IN		TITLE	
A		H	MATERIAL THICKNESS	TOLERANCE (UNLESS OTHERWISE STATED)		<p>COPYRIGHT EXISTS ON THIS DOCUMENT. IT MUST NOT BE USED FOR ANY PURPOSE THAN THAT FOR WHICH IT IS SUPPLIED AND MUST NOT BE COPIED (IN WHOLE OR IN PART) WITHOUT WRITTEN PERMISSION FROM            © MARSHALL AMPLIFICATION PLC.            DENBIGH ROAD, BLETCHEY, MILTON KEYNES, MK1 1DQ.            TEL (0900)375411 FAX (0900)376118</p>		
B		J	INTERNAL BEND RADII	DIMENSIONAL				
C		K	EXTERNAL B/A	CENTRES				
D		L	BEND DIE	ANGULAR				
E		M	DRAWN T.FOY	DATE 22-7-93	MODEL			
F		N	CHECKED	DATE	7400	DWG.No	ISSUE	
G		P	APPROVED	DATE		7400-66-02	1	
ISS	ECO NUMBER	DATE						

DWG.No. 7400-61-02



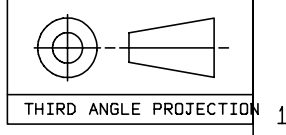
**NOTE.**

- 1) CAUTION! REPLACE FUSIBLE RESISTORS WITH SAME TYPE AND RATING.
- 2) ATTENTION! UTILISER UN FUSIBLE RESISTORS DE RECHARGE DE MEME TYPE.

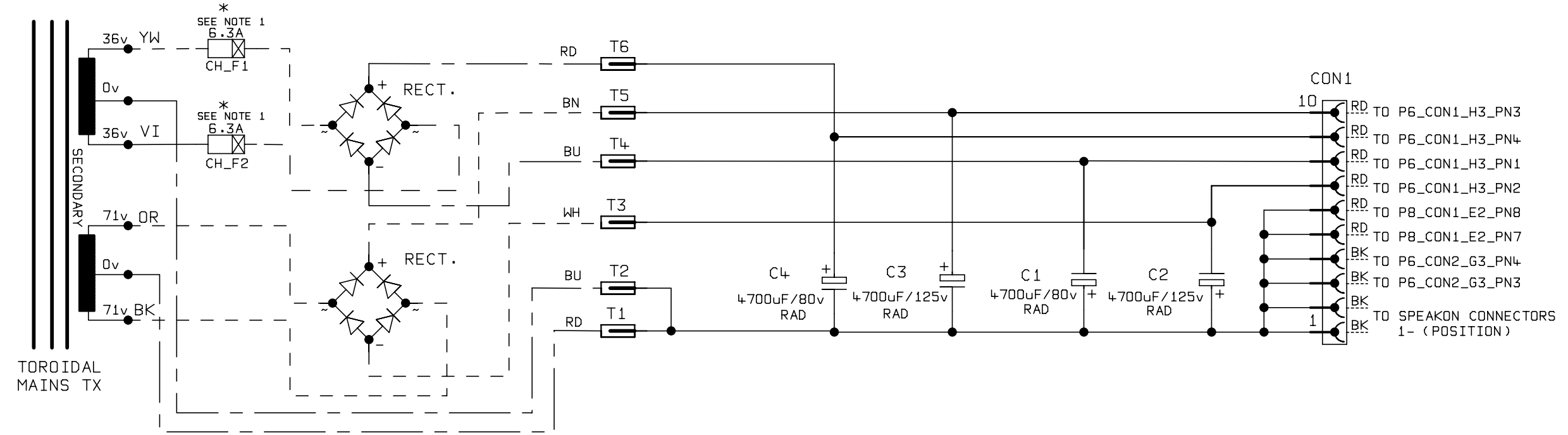
2	0485	09/12/93	4	0600	11/5/94			DRAWN	B.K.	DATE	23.04.93	TITLE	MODEL		COPYRIGHT EXISTS ON THIS DOCUMENT. IT MUST NOT BE USED FOR ANY PURPOSE THAN THAT FOR WHICH IT IS SUPPLIED AND MUST NOT BE COPIED (IN WHOLE OR IN PART) WITHOUT WRITTEN PERMISSION FROM © MARSHALL AMPLIFICATION PLC. DENBIGH ROAD, BLETCHLEY, MILTON KEYNES, MK1 1DQ. TEL (0908)375411 FAX (0908)376118	DWG.No 7400-61-02 4 OFF 8	ISSUE 4
1	MANUFACTURE RELEASE	18/11/93	3	0569	07/03/94		CHECKED		DATE		SMALL BOARD	7400 (BASS)					
ISS	ECO No.	DATE	ISS	ECO No.	DATE	ISS	ECO No.	DATE	APPROVED	DATE							



DWG.No. 7400-64-02



230/240v TRANSFORMER TYPE 07-440  
 100/115/130v= TRANSFORMER TYPE 07-439



- NOTES  
 1) THESE FUSES ARE ONLY FITTED TO UNITS COUNTRY IDENTS A.D.E.H.K.S.V.X.  
 2) DOTTED LINES DENOTE WIRES OFF THE P.C.B  
 3) TO P6\_CON2\_G3\_PN3 = TO PAGE 6 CONNECTOR 2 GRID REF G3 PIN3.

UNSPECIFIED HOLE DATA				MATERIAL		DIMENSIONS IN		TITLE	
6	1340	31/01/96	A	H	MATERIAL THICKNESS	TOLERANCE (UNLESS OTHERWISE STATED)			
5	1307	15/10/96	B	J	INTERNAL BEND RADII	DIMENSIONAL			
4	0844	17/01/95	C	K	EXTERNAL B/A	CENTRES		7 OFF 8	
3	0600; 0622; 0639	30/05/94	D	L	BEND DIE	ANGULAR		DWG.No	
2	0485	09/12/93	E	M	DRAWN T.FOY	DATE	06.04.93	ISSUE	
1	FIRST RELEASE	03/09/93	F	N	CHECKED	DATE		6	
ISS	ECO NUMBER	DATE	G	P	APPROVED	DATE		7400-64-02	

*Marshall*

COPYRIGHT EXISTS ON THIS DOCUMENT. IT MUST NOT BE USED FOR ANY PURPOSE THAN THAT FOR WHICH IT IS SUPPLIED AND MUST NOT BE COPIED, REPRODUCED OR IN PART) WITHOUT WRITTEN PERMISSION FROM  
 © MARSHALL AMPLIFICATION PLC.  
 DENBIGH ROAD, BLETCHLEY, MILTON KEYNES, MK1 1DQ.  
 TEL (0908)375411 FAX (0908)376118

7400(BASS)