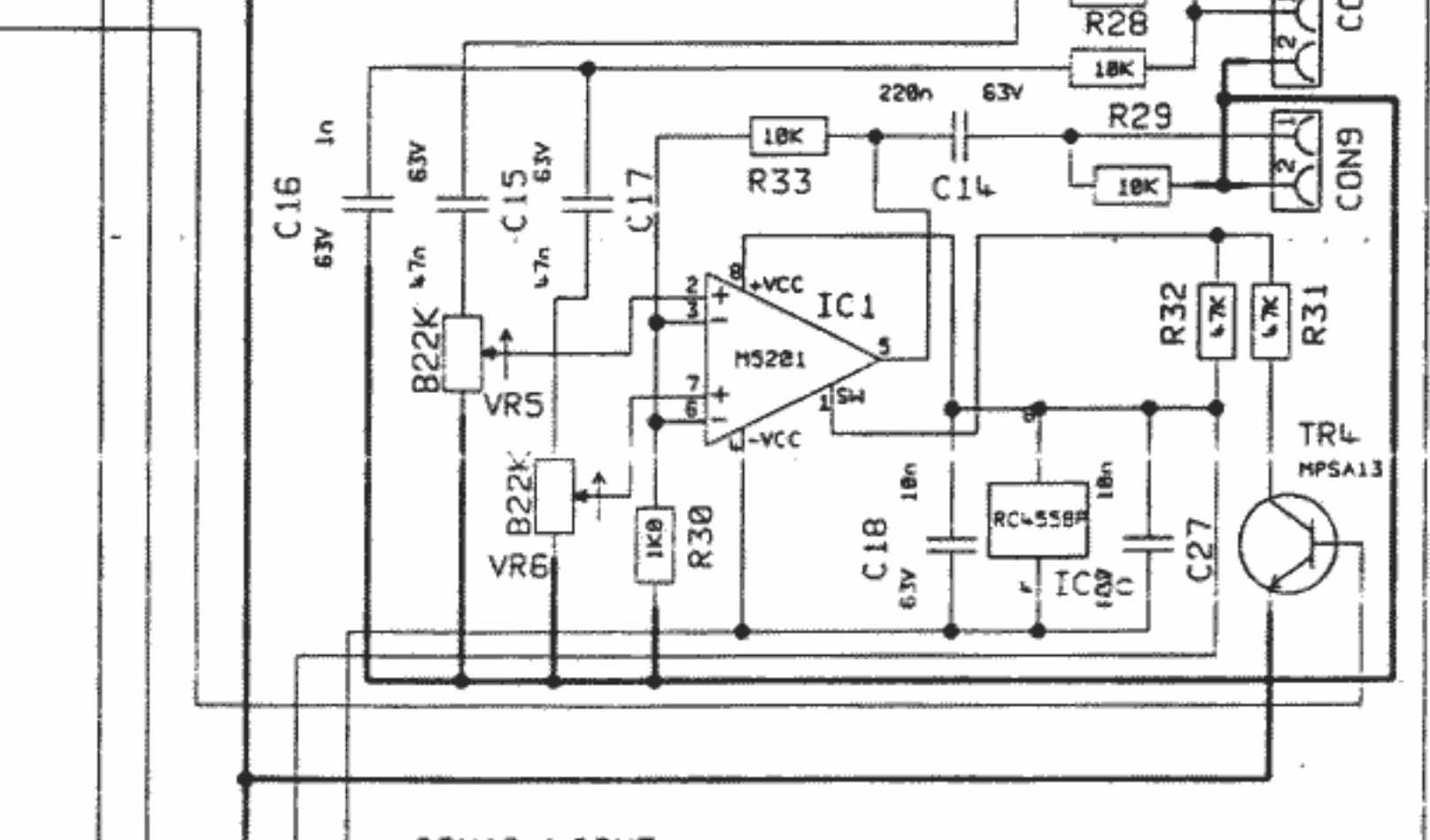
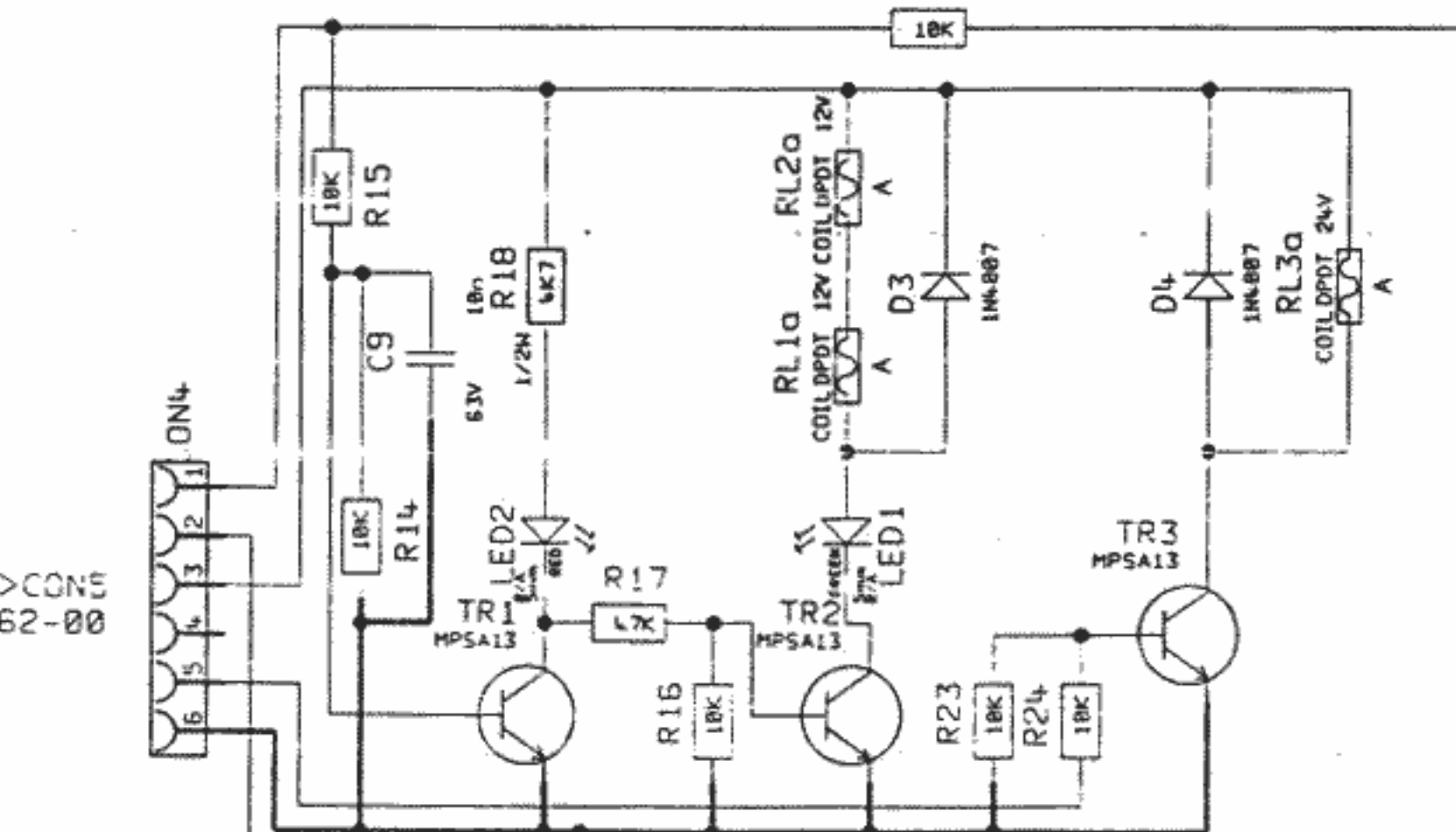
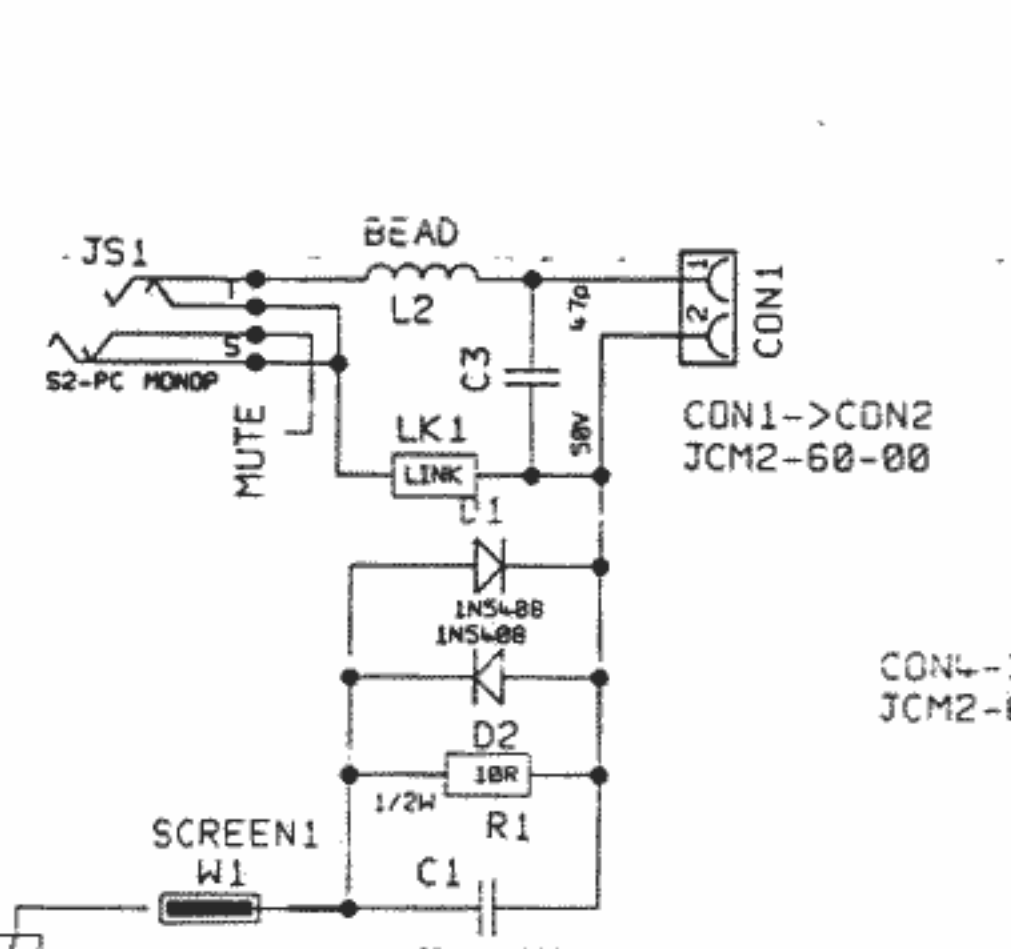
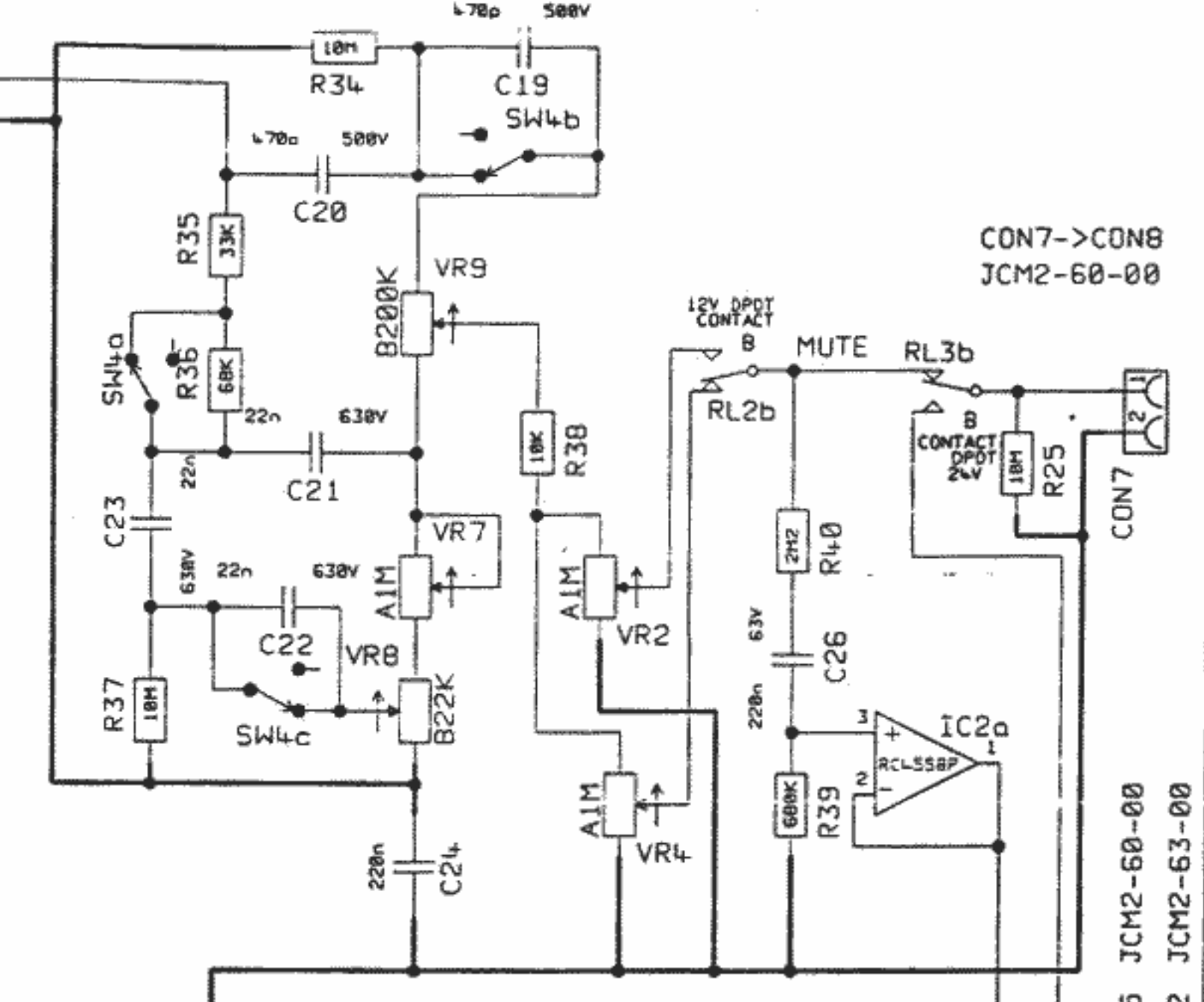
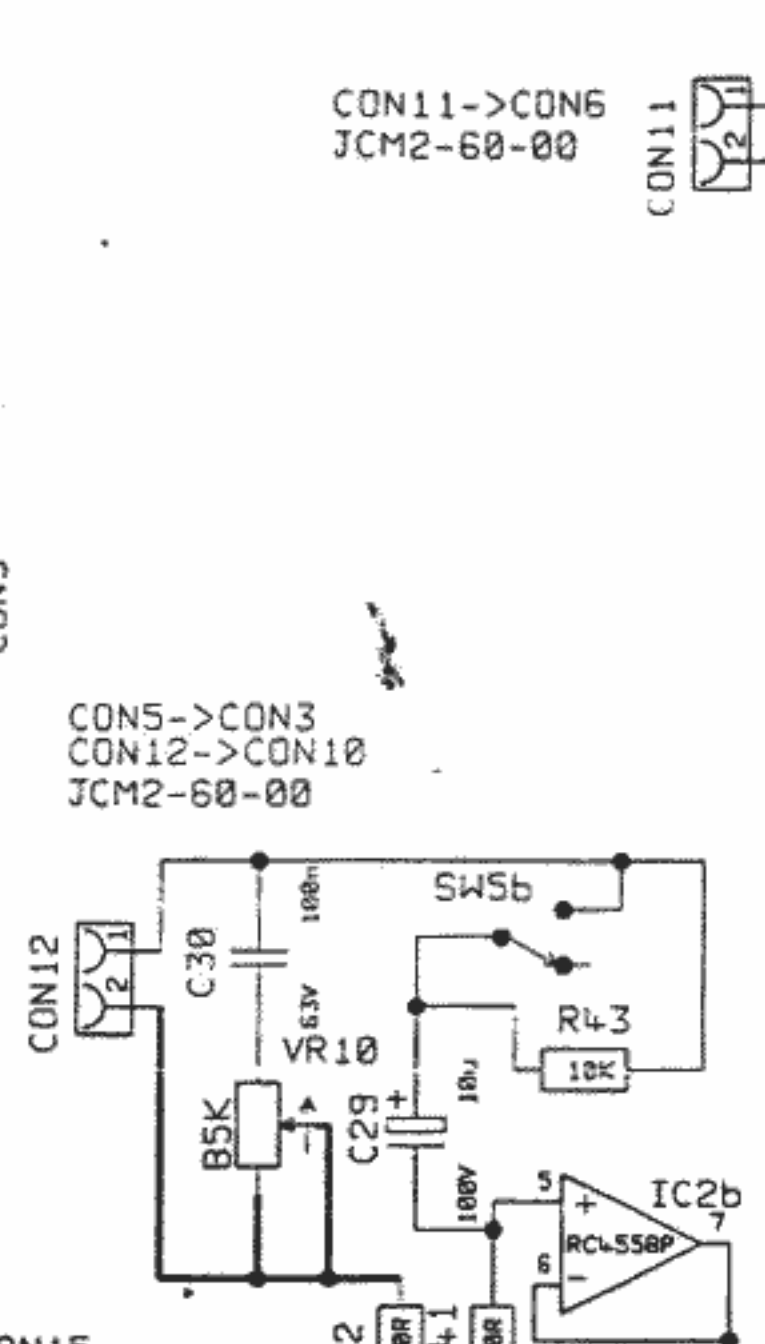
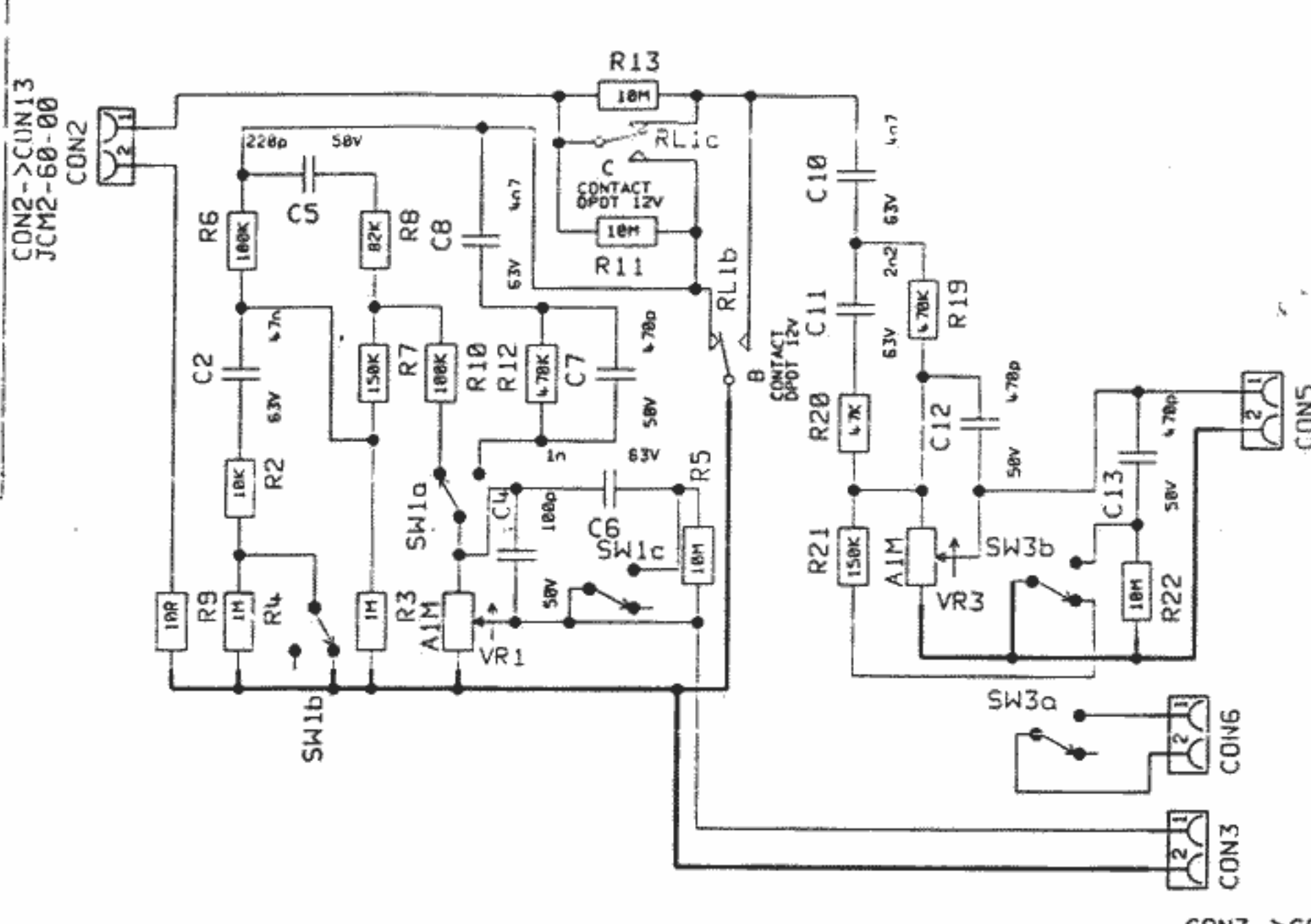


CON2->CON13
JCM2-60-00
CON2



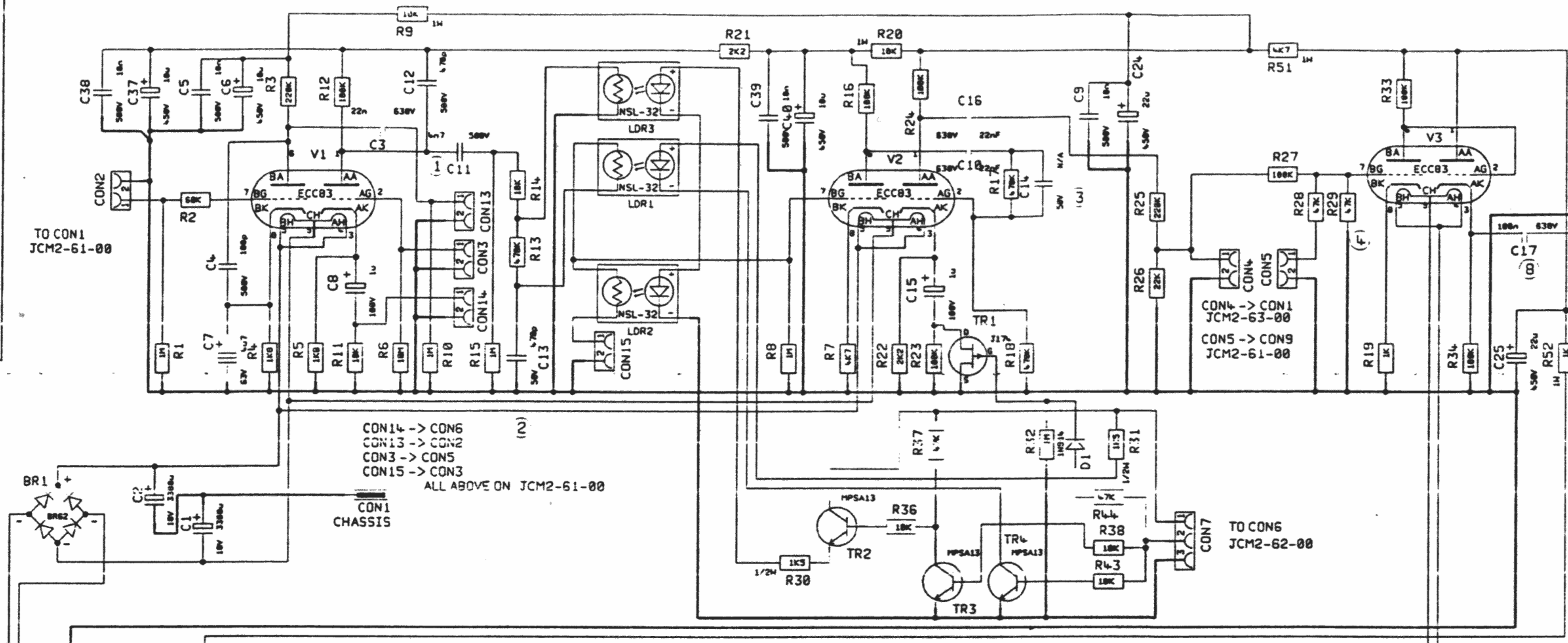
1	PRODUCTION	30/4/97
C	PRE-PRODUCTION	4/3/97
ISS	ECO NUMBER	DATE

ALL OTHER HOLES =		X = (THROUGH PLATED)	
A	E	T	N
B	F	K	P
C	G	L	Q
D	H	M	R

MATERIAL		DIMENSIONS IN	
MATERIAL THICKNESS		TOLERANCE (UNLESS OTHERWISE STATED)	
DRAWN SG	DATE 24.2.97		
CHECKED	DATE	MODEL JCM2000	
APPROVED	DATE 24-6-97		



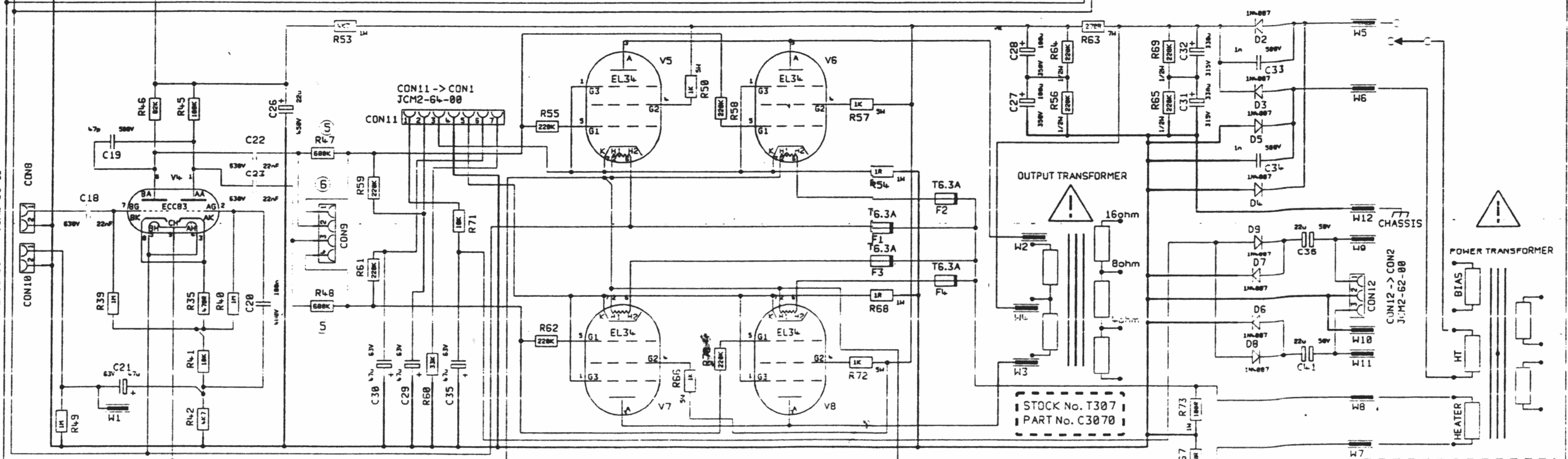
TITLE	JCM2000
	SUPERLEAD STANDARD
DWG.No	JCM2-61-00.DGM
ISS	1



SAFETY CRITICAL COMPONENT
REPLACE ONLY WITH SAME
TYPE AND RATING.

- NOTES**
- (1) C11 = 4n7 500V ON STANDARD HEAD
C11 = 1nF 500V ON COMBO & DELUXE
 - (2) C13 = 4.70pF STANDARD --- = 100pF COMBO & DELUXE
 - (3) C14 NOT FITTED ON STANDARD HEAD,
COMBO OR DELUXE
 - (4) R29 = 4.7K STANDARD
R29 = 22K COMBO & DELUXE
 - (5) R47,48 = LINK STANDARD
R47,48 = 680K COMBO & DELUXE
 - (6) CON9 ONLY FITTED ON COMBO & DELUXE
 - (7) C17 = LINK STANDARD
C17 = 100nF 630V COMBO & DELUXE

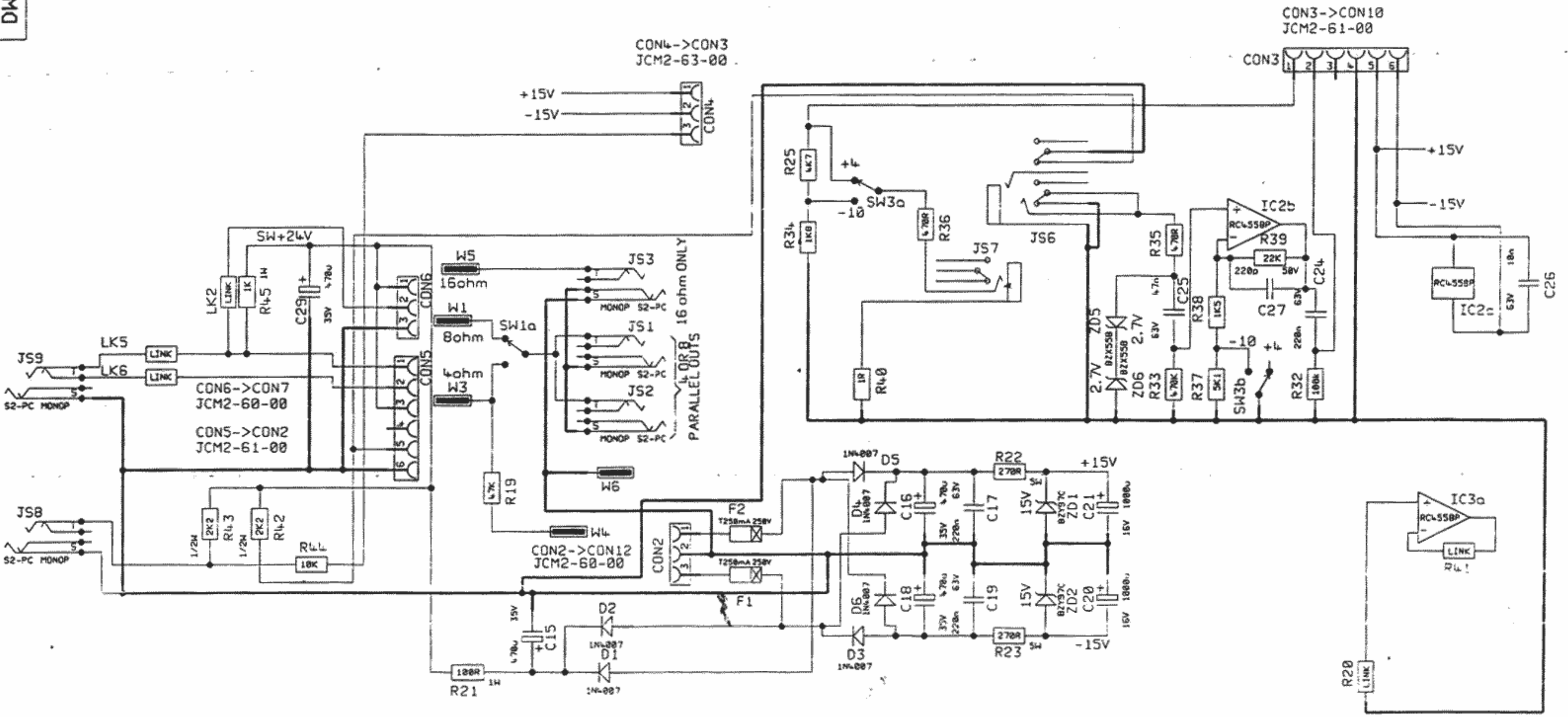
STOCK No. S167
PART No. 1310B5NN



STOCK No. T307
PART No. C3070

STOCK No. TXMA-00061
PART No. 02105

ALL OTHER HOLES -			X = (THROUGH PLATED)			MATERIAL		DIMENSIONS IN		TOLERANCE (UNLESS OTHERWISE STATED)		TITLE	
1	PRODUCTION	30/4/97	A	E	J	N	MATERIAL THICKNESS					JCM2000 SUPERLEAD STANDARD	
C	PRE-PRODUCTION	19/3/97	B	F	K	P	DRAWN S.G.	DATE	19/3/97			DWG.No. JCM2-60-00.DGM	
ISS	ECO NUMBER	DATE	C	G	L	G	CHECKED	DATE	23-6-97	JCM2000		1	
			D	H	M	R	APPROVED	DATE		MARSHALL		155	
										© MARSHALL AMPLIFICATION PLC DENBIGH ROAD, BLETCHLEY, MILTON KEYNES, MK1 10Q. TEL (01908) 375411 FAX (01908) 376118			



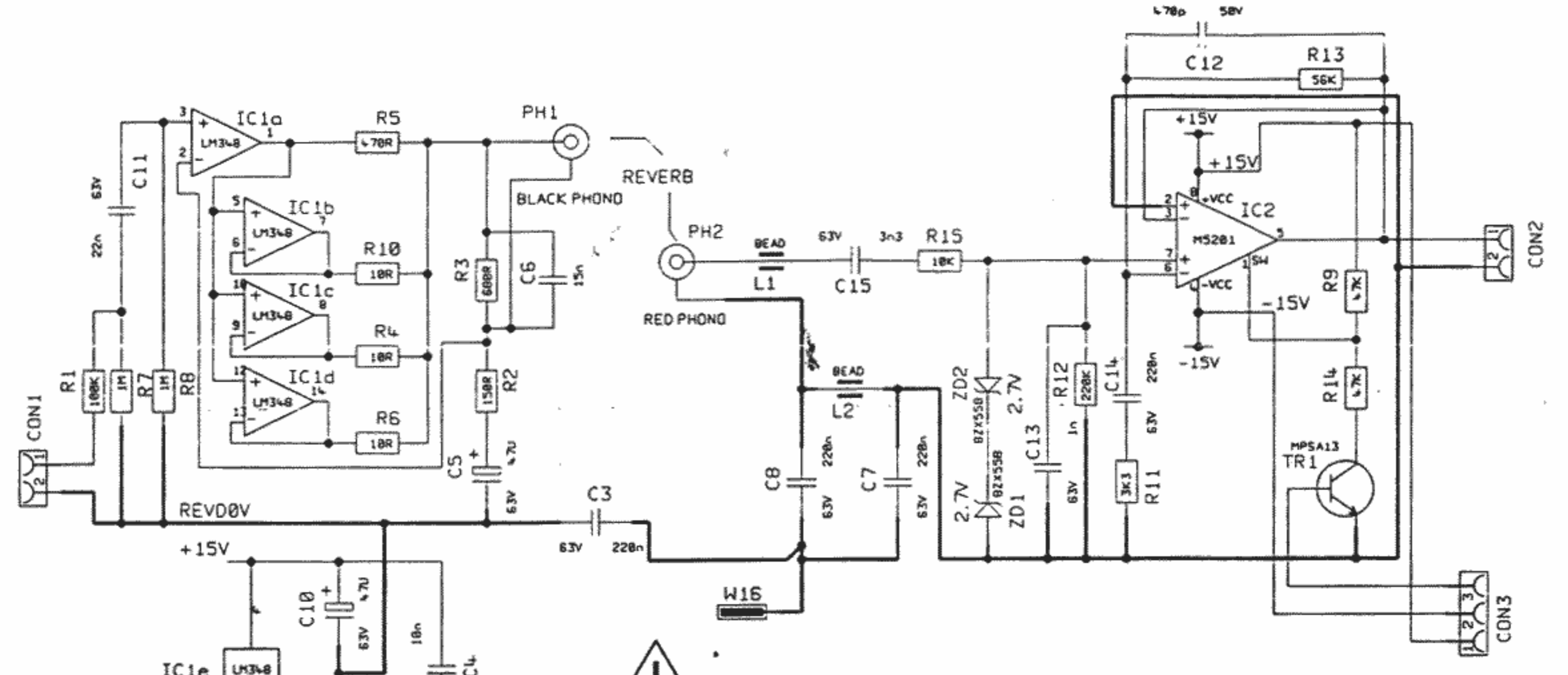
GENERIC PCB JCM2-62-00.ART
 SEE JCM2-69-00.DGM FOR DESIGN SCHEMATIC
 ALL OTHER DESIGNATIONS (EXCEPT REQUIRED LINKS) SHOULD BE UNFILLED

ALL OTHER HOLES *			X = (THROUGH PLATED)				MATERIAL		DIMENSIONS IN		TITLE	
			A	E	J	N	MATERIAL THICKNESS		TOLERANCE (UNLESS OTHERWISE STATED)		JCM2000 SUPER LEAD STANDARD REAR OUTPUT PCB SCHEMATIC	
1	PRODUCTION	20/6/97	B	F	K	P	DRAWN	SG	DATE	25-2-97	DWG.No JCM2-62-00.DGM ISS 1	
ISS	ECO NUMBER	DATE	C	G	L	Q	CHECKED		DATE		1	
A	B	C	D	H	M	R	APPROVED	DATE	23-6-97	MODEL	DSL100 (STANDARD HEAD)	
										<small>© MARSHALL AMPLIFICATION PLC DENBIGH ROAD, BLETCHLEY, MILTON KEYNES, MK1 1QG. TEL (01908) 375111 FAX (01908) 376118</small>		

CON1->CON4
JCM2-60-00

CON2->CON8
JCM2-62-00

CON3->CON4
JCM2-61-00



115V UNITS
TYPE 19198
T1AMP

230V UNITS
TYPE 19195
T1AMP

STOCK No. TXMA-00066
PART No. D2179

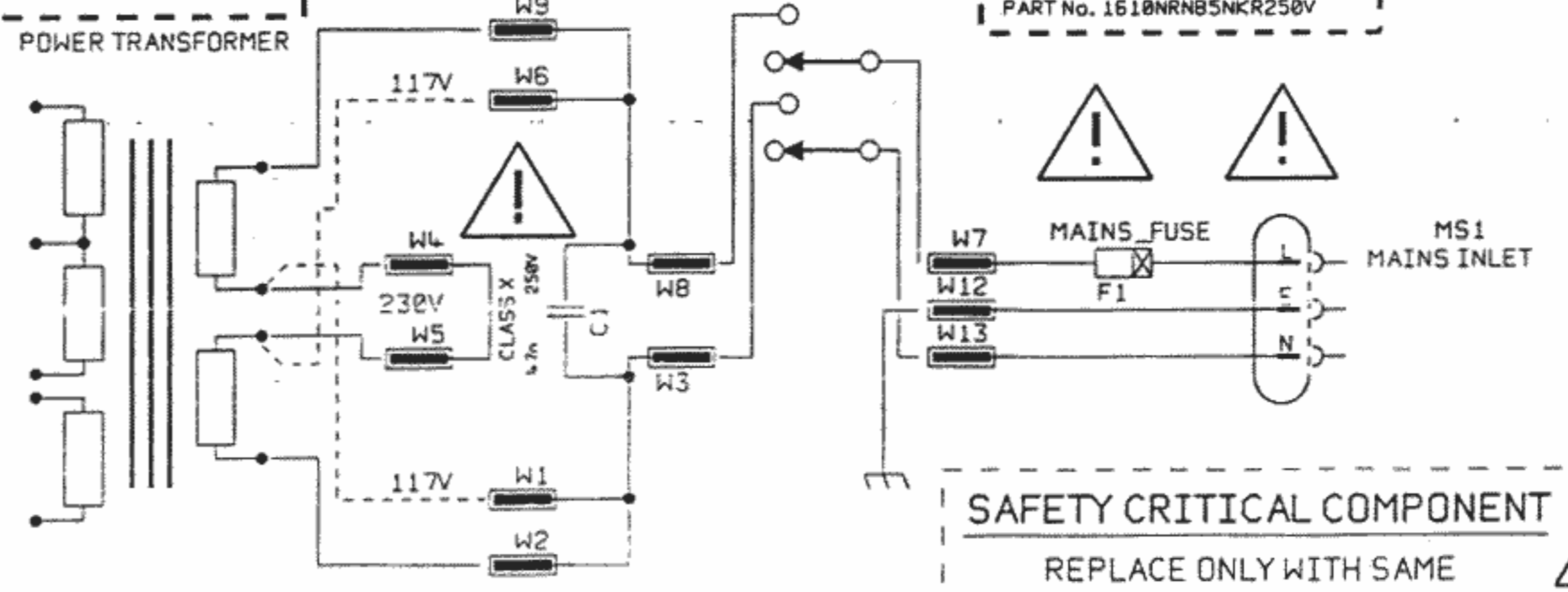
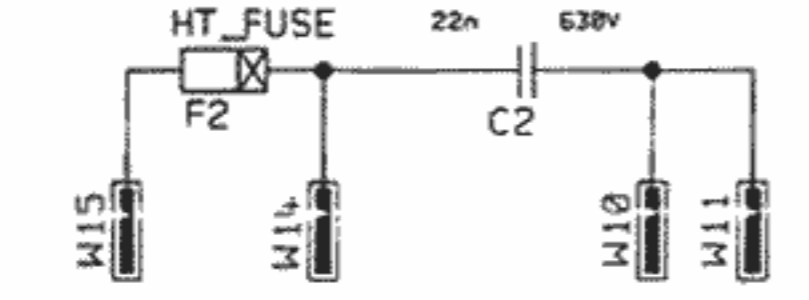
STOCK No. TXMA-00062
PART No. D2135

STOCK No. TXMA-00061
PART No. D2105

POWER TRANSFORMER

115V UNITS
F1=T1AMP TYPE 19343
MAINS SWITCH=STOCK No. S151
PART No. 1310NB5NKR125V

230V UNITS
F1=T2AMP TYPE 19195
MAINS SWITCH=STOCK No. S217
PART No. 1610NRNB5NKR250V



SAFETY CRITICAL COMPONENT
REPLACE ONLY WITH SAME
TYPE AND RATING.

ISS		ECO NUMBER		DATE		ALL OTHER HOLES =		X = (THROUGH PLATED)		MATERIAL		DIMENSIONS IN		TITLE			
A	B	C	D	E	F	G	H	J	K	L	M	N	P	Q	R	JCM2000 SUPER LEAD STANDARD REVERB/MAINS INPUT	
1	PRODUCTION ISSUE	38/4/97														JCM2-63-00.DGM	
																ISS 1	



DATE 28-12-96

DATE 23-6-97

MODEL JCM2000

