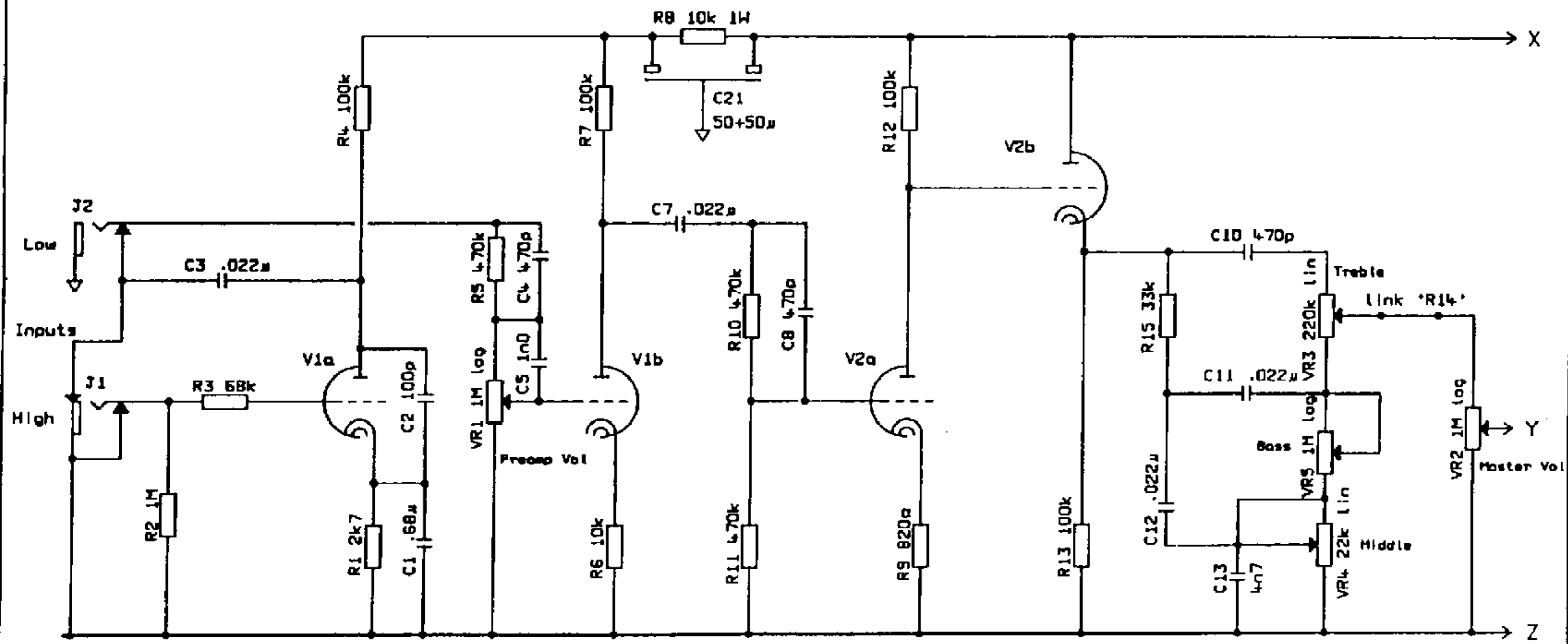


NOTES

PCB: JM80

V1.2: ECC83. filament supply shown on power stage diagram.

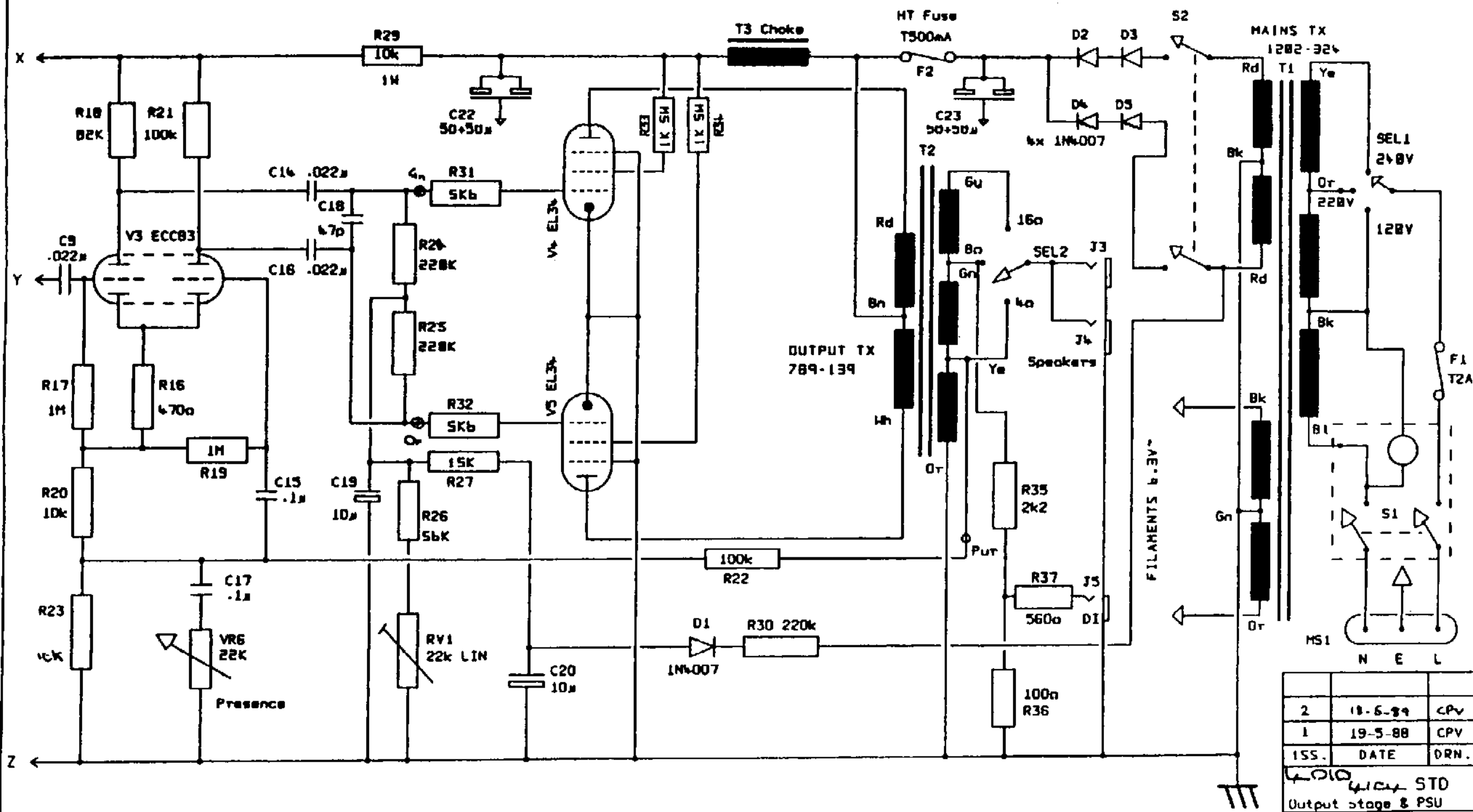


4	19-5-88	CPV
ISS. DATE		DRN.

DRAWING NUMBER
4010 STD
 Preamp

MARSHALL
 JIM MARSHALL
 PRODUCTS LTD.
 BLETCHLEY
 MILTON KEYNES
 ENGLAND
 File: 401OPRE.DGM





2	18-5-89	CPV
1	19-5-88	CPV
ISS.	DATE	DRN.

4010
4104 STD
Output stage & PSU

MARSHALL

JIM MARSHALL
PRODUCTS LTD.
BLETCHLEY
MILTON KEYNES
ENGLAND
File: 220PLR.DGM