

NOTES

PCB: JM80

V1.2: ECC83, filament supply shown on power stage diagram.

JS3.4 chassis mounted and linked to board

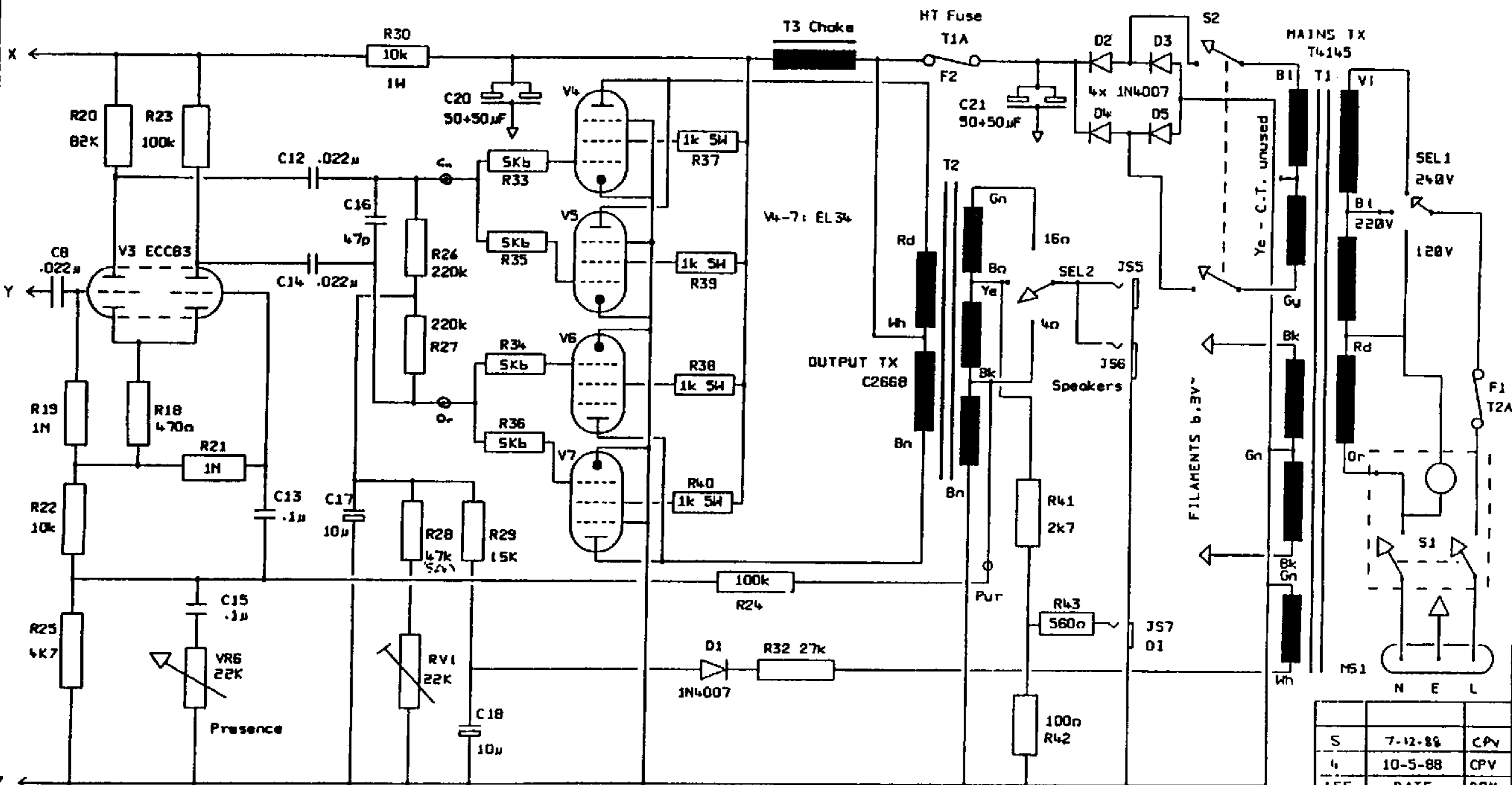
4	10-5-08	CPV
ISS. DATE		DRN.

DRAWING NUMBER
1959 STD
Preamp

MARSHALL

JIM MARSHALL
PRODUCTS LTD.
BLETCHLEY
MILTON KEYNES
ENGLAND
File: 1987PRE.DGM





S	7-12-88	CPV
4	10-5-88	CPV
ISS.	DATE	DRN.
1959 STD		
Output Stage & PSU		
MARSHALL		
JIM MARSHALL PRODUCTS LTD.		
BLETCHLEY MILTON KEYNES ENGLAND		
File: 1959PR.DGN		