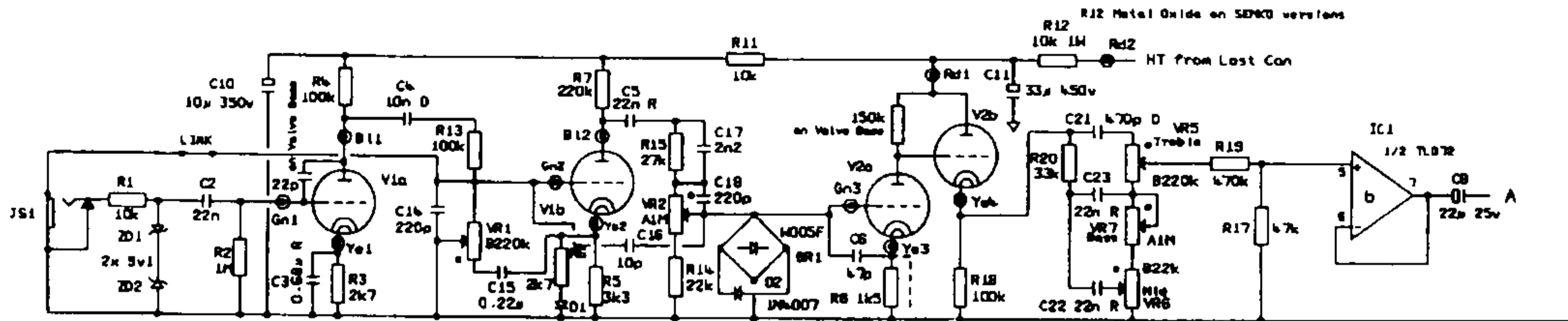


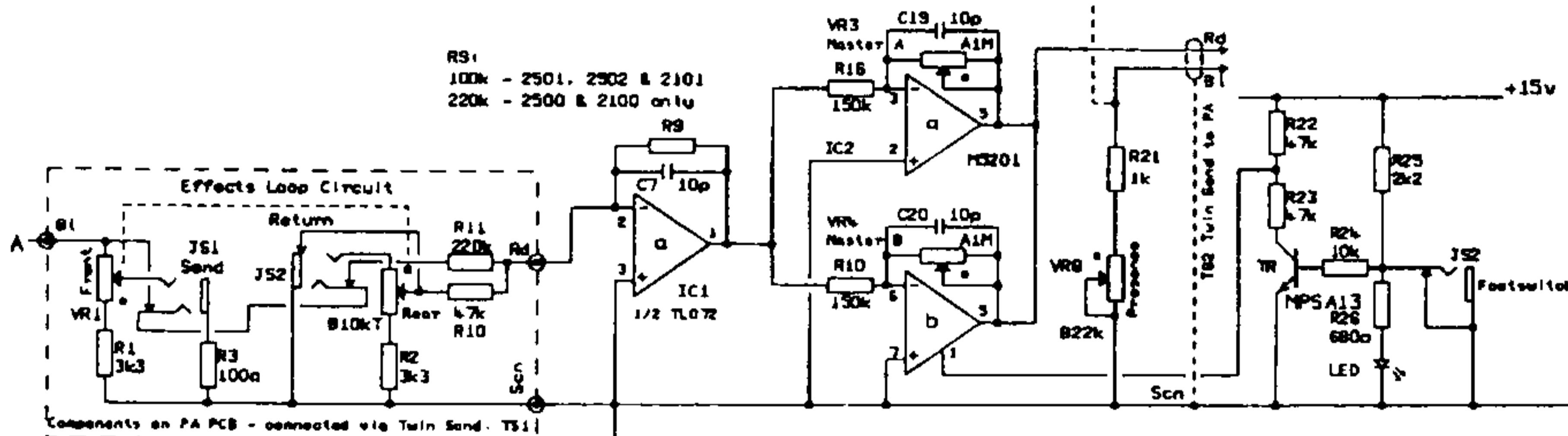
Models: 2500, 2501, 2502, 2100 & 2101



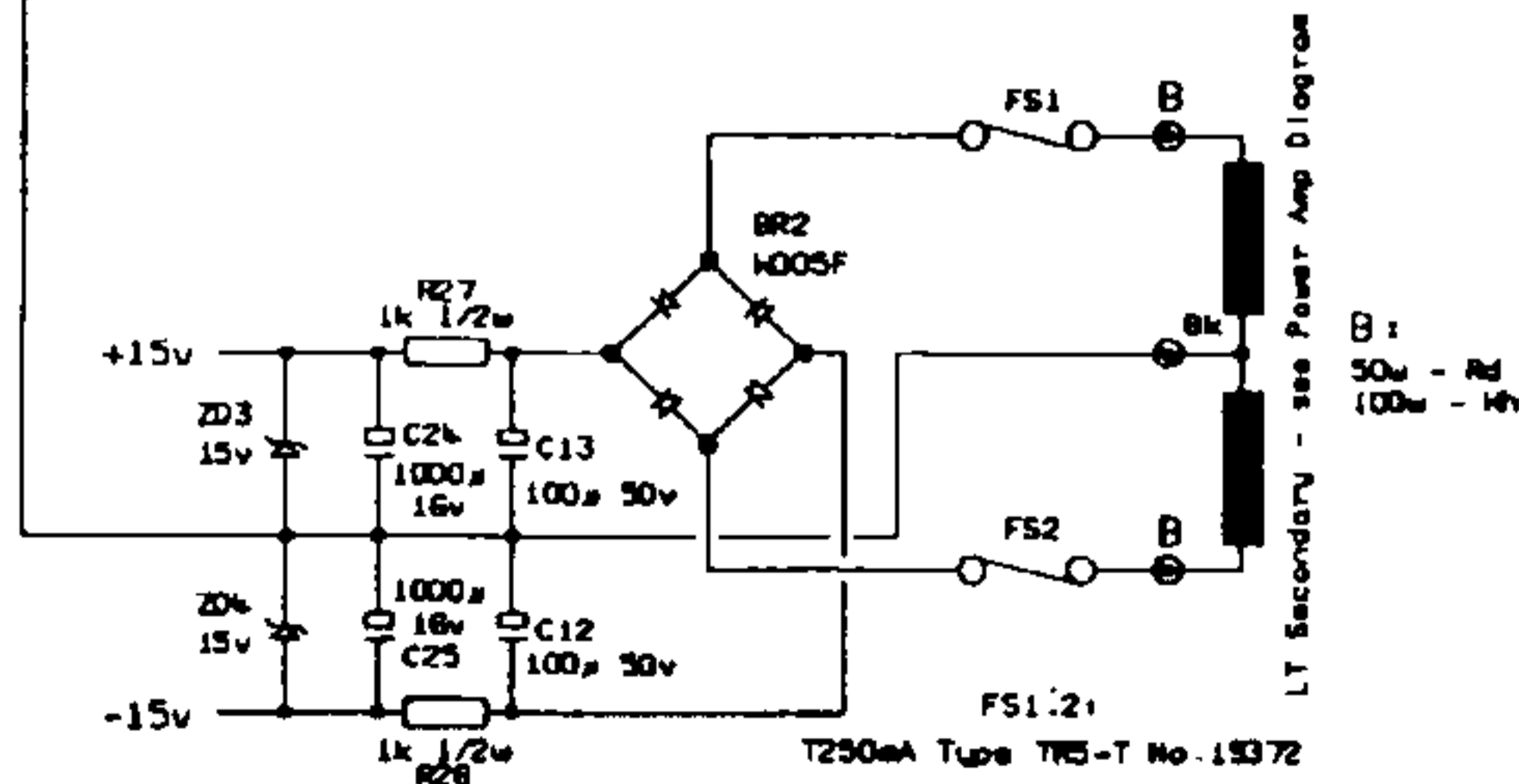
VR1 Gain 0-20  
VR2 Gain 10-20

C9 Presence cap  
(For Preamp Version only)  
0.22µ

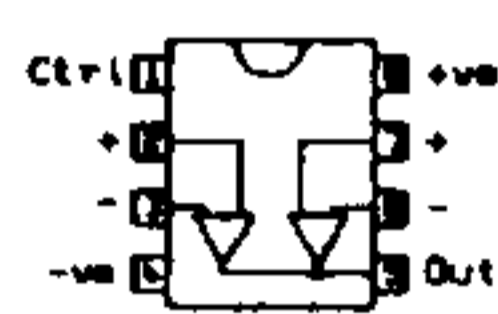
RS1  
100k - 2501, 2502 & 2101  
220k - 2500 & 2100 only



Components on PA PCB - connected via Twin Smd. TS1



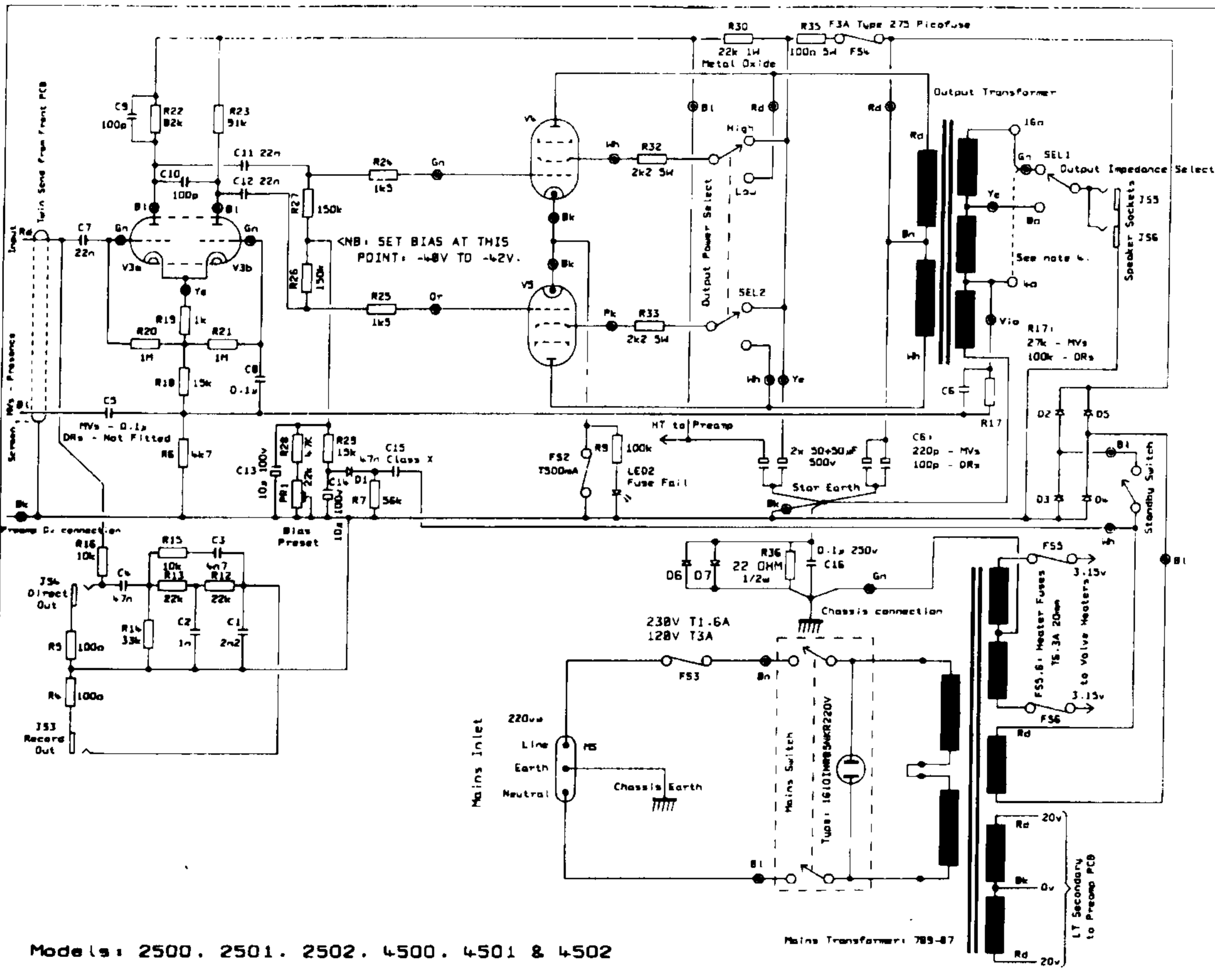
NOTES:

- All resistors 1/w unless stated.
- PCB: JMF518 ONWARDS
- Power supply and power amp diagram: C00112 50w  
C00192 100w
- All non-elect. caps are 50v axial unless marked:  
D: Ceramic disk  
R: MKT Radial
- All zeners 500mW.
- C1,5,7,26 not fitted.  
C11 only fitted on rack or mono versions.
- V1,2: ECC83.
- MS201 switching IC pins:  

- on pots indicates clockwise.

9	18-9-98	SKB
8	2-7-90	CPV
7	29-1-90	CPV
Iss.	Date	Drn.

Doc. Number: C00109  
JCM900 Series  
MASTER VOLUME Preamp  
Circuit Diagram  
ALL COUNTRIES

**Marshall**  
Jim Marshall  
(Products) Ltd.  
BLETCHLEY  
MILTON KEYNES  
ENGLAND  
File: C00109.DGM



**NOTES:**

1. D1-5: 1N4007.
2. PCB: JMP50C onwards
3. Effects loop components shown on preamp ckt. diag.
4. Output impedance select can be wired for either 8 & 16Ω (normal) or 4 & 8Ω.
5. Components not fitted:  
Resistors: R8, 20, 23, 24, 27, 33, 36  
Others: F51, LED1
6. V3: ECC83  
V4, 5: EL34  
See note 4.
7. All resistors are 1/4w unless stated otherwise.

Iss. 7: JMP50C PCB

18	ECO B147 18/03/92	CJR
9	ECO B126 12/12/91	CJR
8	18-9-90	SKB
7	4-9-90	CPV
6	16-5-90	CPV
5	26-2-90	CPV

Iss. Date      Dnn.

Dwg. Number: CDD112

**JCM900 Series**  
50w Power Amp  
Circuit Diagram  
SEMKO AND CSA

**Marshall**

Jim Marshall  
(Products) Ltd.  
BLETCHLEY  
MILTON KEYNES  
ENGLAND  
File: JMP50C1.0GM

Models: 2500, 2501, 2502, 4500, 4501 & 4502

