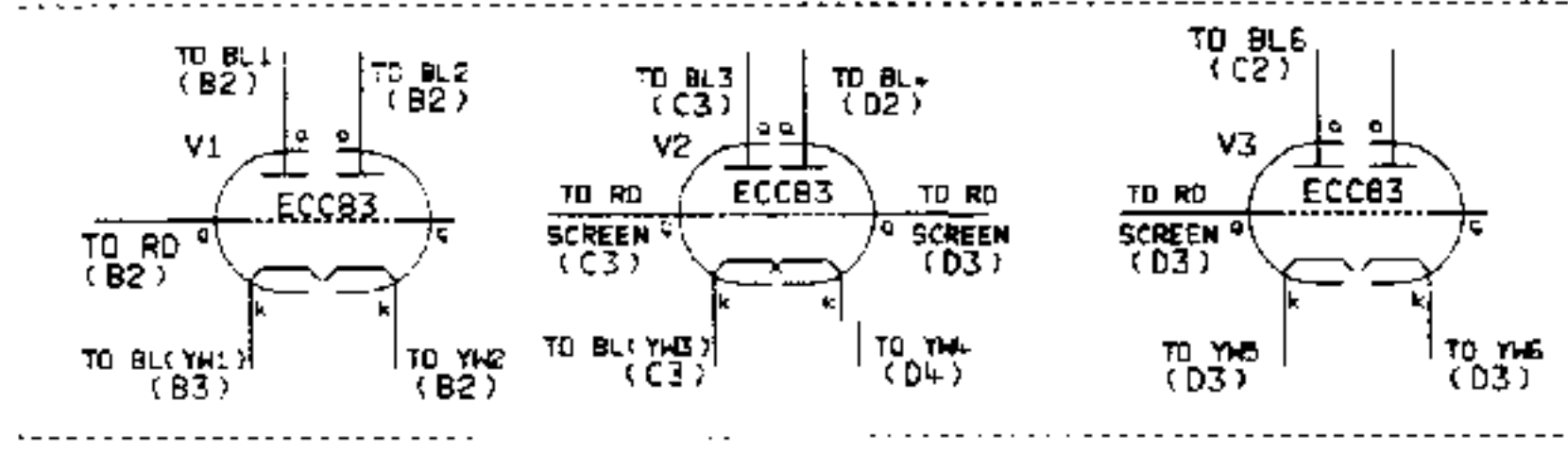
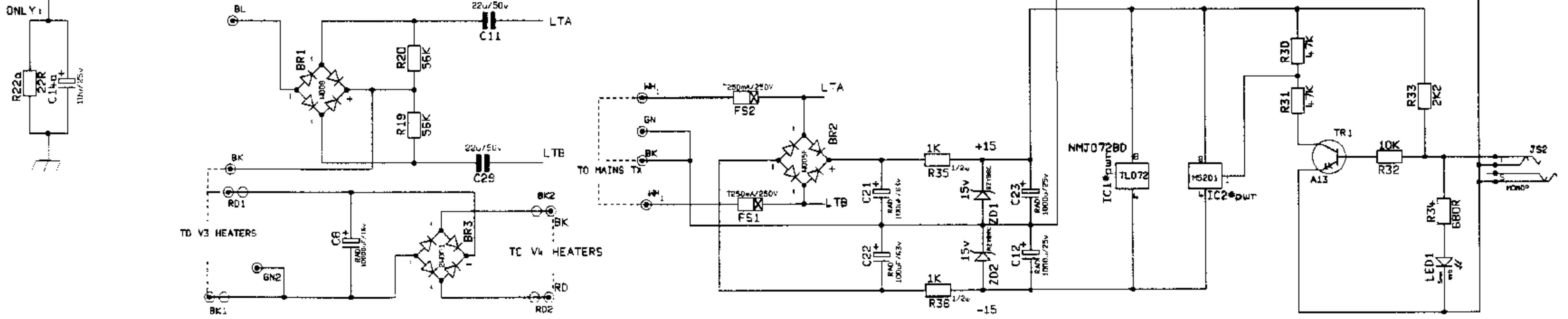


FOR 2500SLX ONLY:



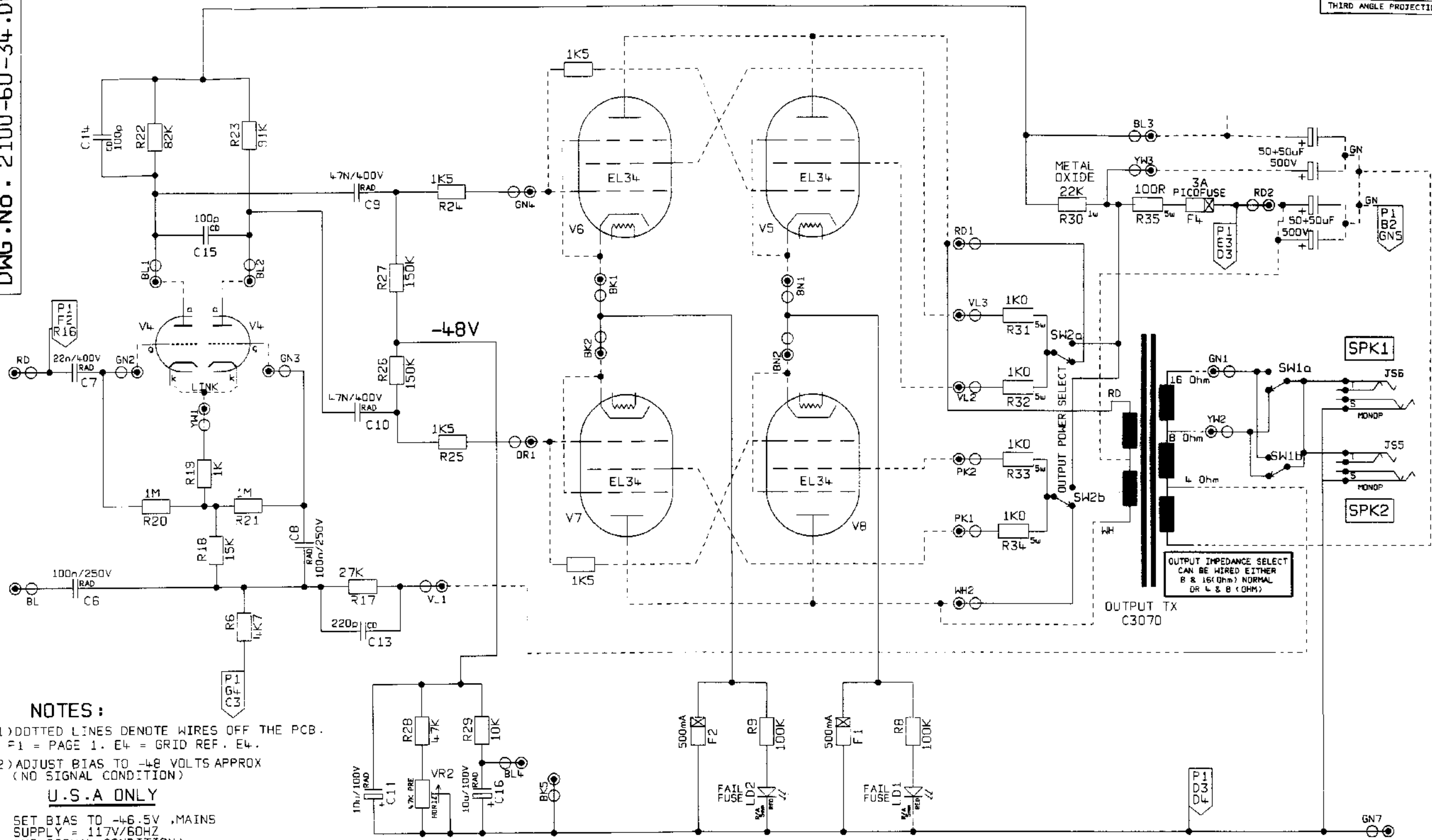
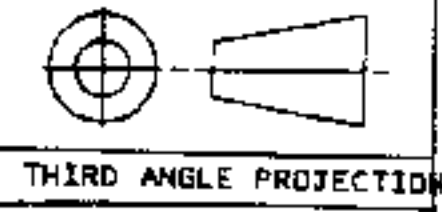
NOTE  
 ALL RESISTORS ARE 1/4W UNLESS OTHERWISE SPECIFIED  
 DOTTED LINES DENOTE WIRES OF THE P.C.B.  
 P1(D4) = TO PAGE 1 GRID LOCATION REF D4

UNSPECIFIED HOLE DATA			MATERIAL		DIMENSIONS IN		TITLE	
ISS	ECD NUMBER	DATE	A	H	MATERIAL THICKNESS	TOLERANCE (UNLESS OTHERWISE STATED)	PRE AMP CCT	
5	0459	23/02/94	B	J	INTERNAL BEND RADIUS	DIMENSIONAL	A2	
4	0461	10/1/94	C	K	EXTERNAL S/A	CENTRES	DWG.No SLXa-61-02	
3	0428	09/11/93	D	L	BEND DIE	ANGULAR	ISSUE 5	
2	0374	29/06/93	E	M	DRAWN T.FOY	MODEL	2100SLX/2500SLX	
1	MANUFACTURE RELEASE	05/05/93	F	N	CHECKED	DATE 05/05/93	© MARSHALL AMPLIFICATION PLC. DENEIGH ROAD, BLETCHLEY, MILTON KEYNES, MK: 10G. TEL (0908)375411 FAX (0908)376118	
			G	P	APPROVED	DATE		



COPYRIGHT EXISTS ON THIS DOCUMENT. IT MUST NOT BE USED FOR ANY PURPOSE THAN THAT FOR WHICH IT IS SUPPLIED AND MUST NOT BE COPIED IN WHOLE OR IN PART WITHOUT WRITTEN PERMISSION FROM  
 © MARSHALL AMPLIFICATION PLC.  
 DENEIGH ROAD, BLETCHLEY, MILTON KEYNES, MK: 10G.  
 TEL (0908)375411 FAX (0908)376118

# EL34 VALVE TYPE

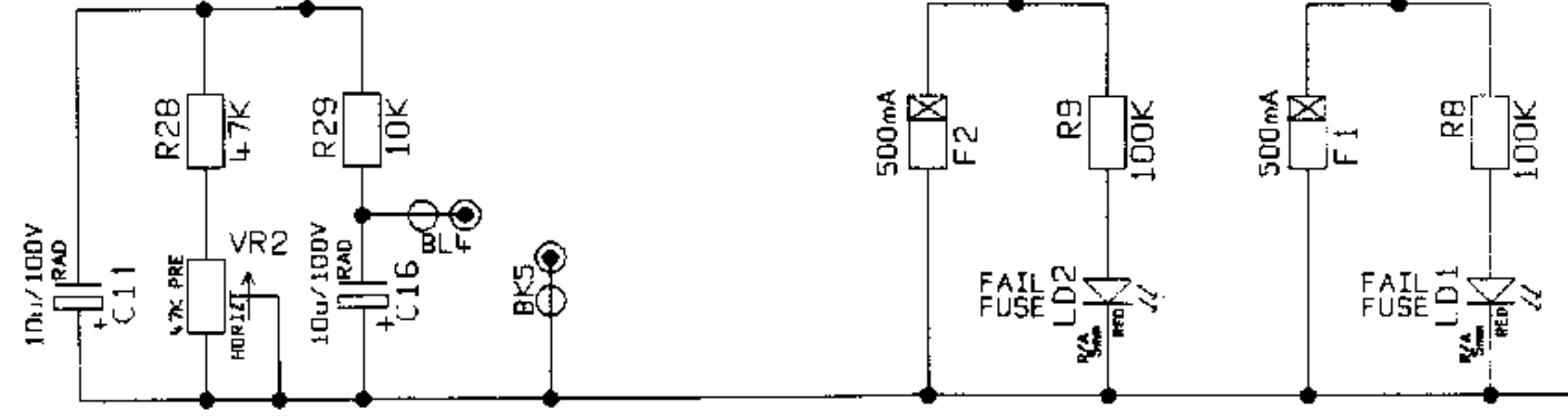


**NOTES :**

- 1) DOTTED LINES DENOTE WIRES OFF THE PCB.  
F1 = PAGE 1. E4 = GRID REF. E4.
- 2) ADJUST BIAS TO -48 VOLTS APPROX  
(NO SIGNAL CONDITION)

**U.S.A ONLY**

SET BIAS TO -46.5V ,MAINS  
SUPPLY = 117V/60HZ  
(NO SIGNAL CONDITION)



ISS	ECO NUMBER	DATE	
10	0988	6/8/95	
9	0868	12/4/95	A
8	0688	17-11-94	B
7	0707	24/08/94	C
5	0444	6-11-93	D
4	0435	19-10-93	E
3	0408	24-8-93	F
			G

UNSPECIFIED HOLE DATA	
	H
	J
	K
	L
	M
	N
	P

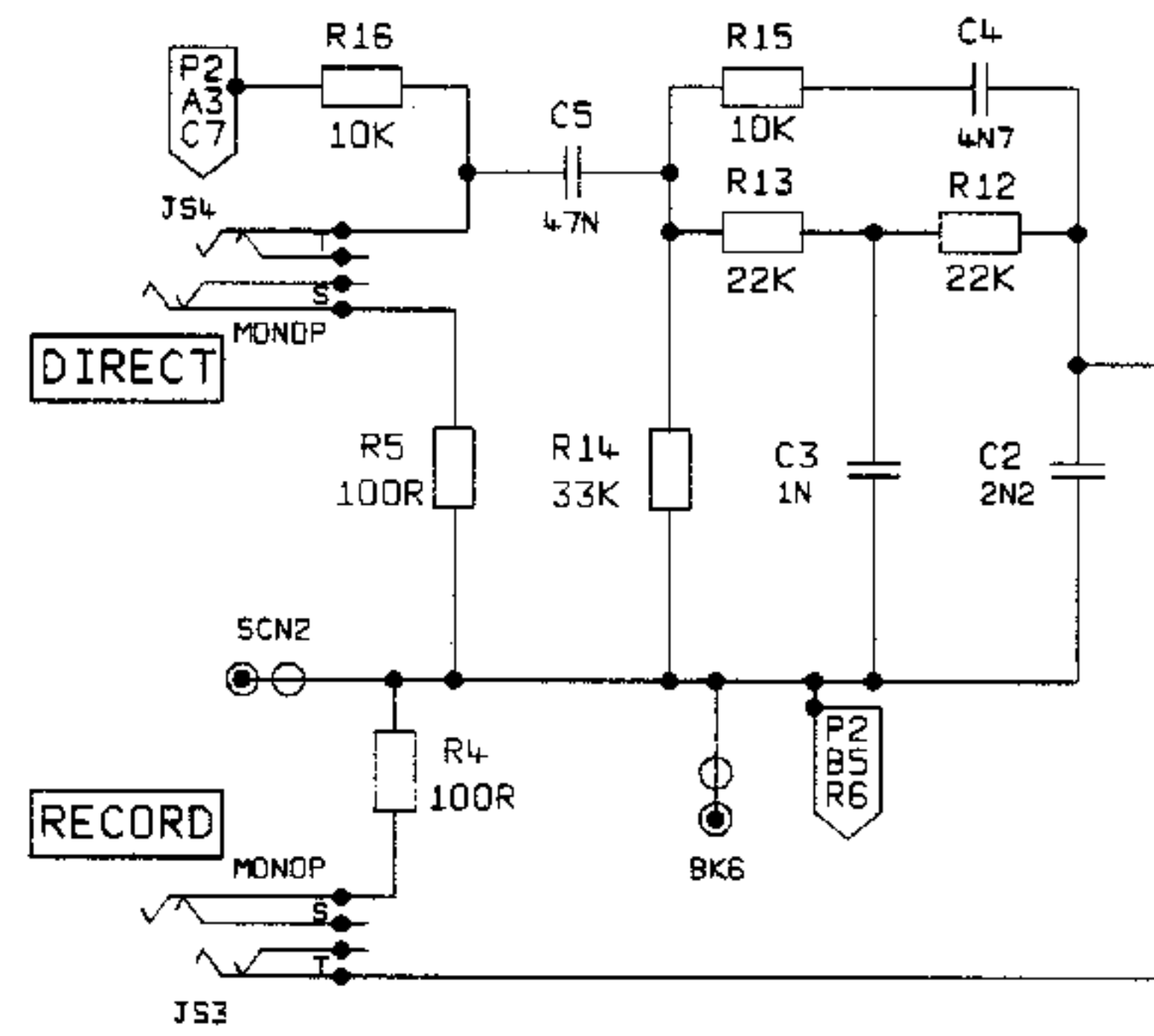
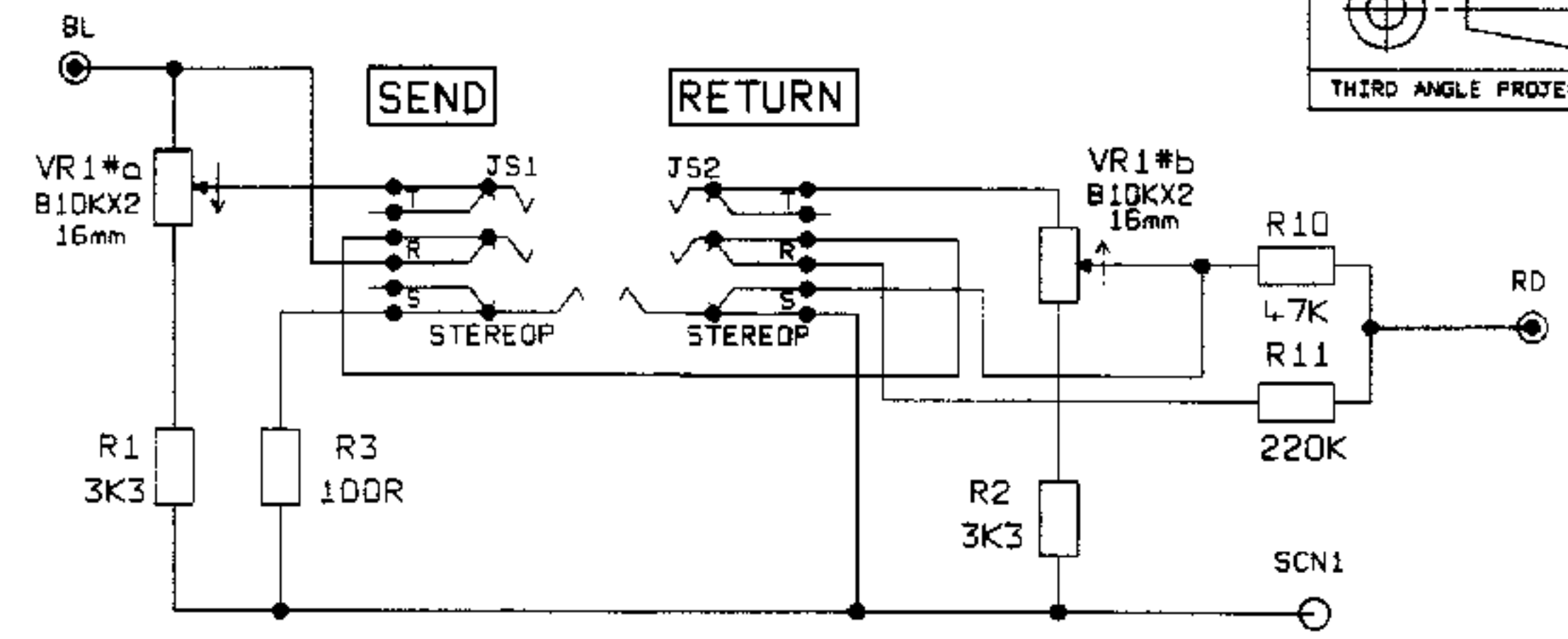
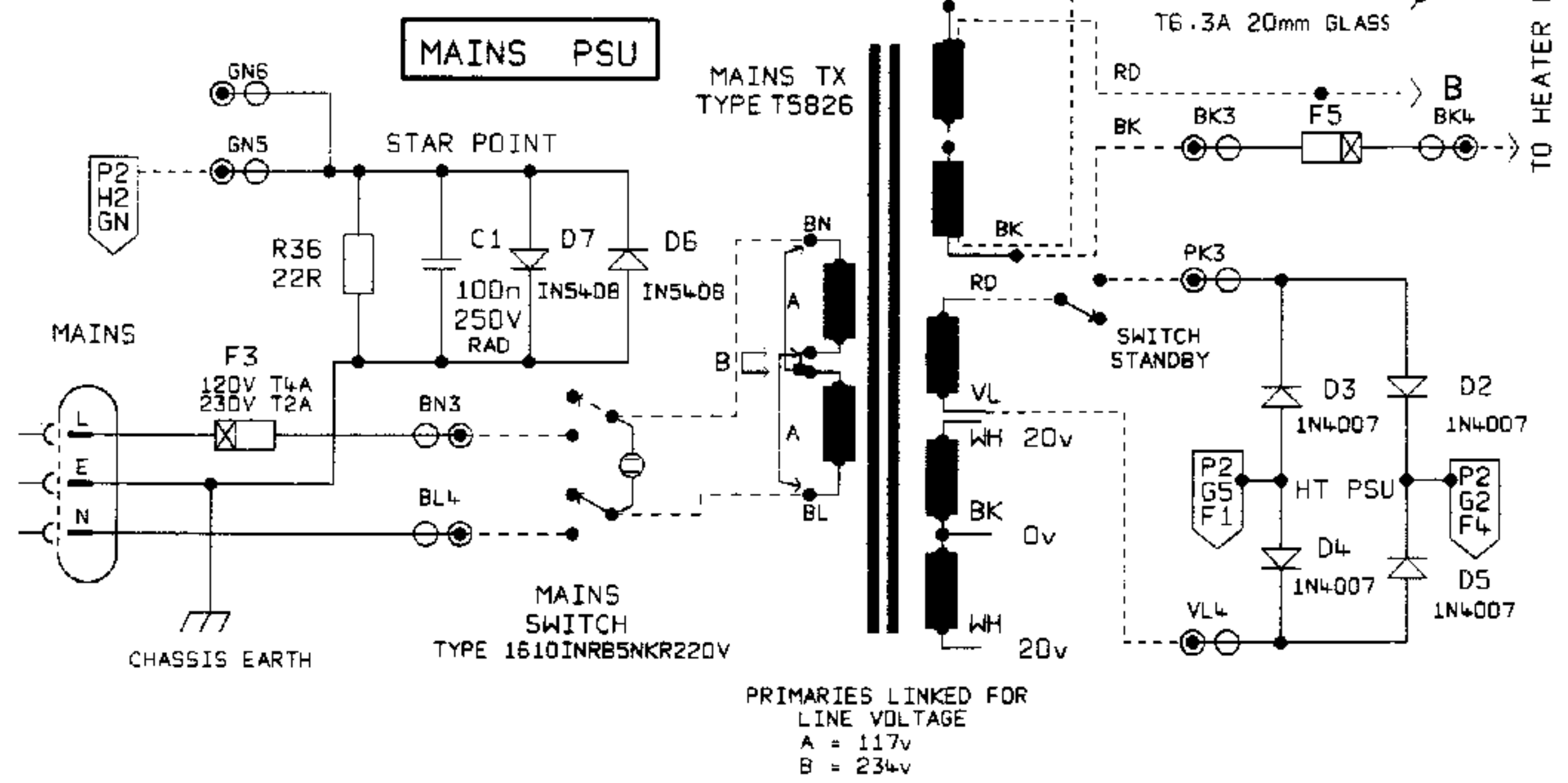
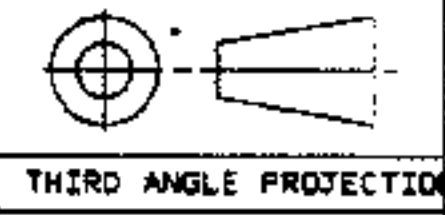
MATERIAL	
MATERIAL THICKNESS	
INTERNAL BMD RADII	
EXTERNAL RA	
BEND DIE	
DRAWN C.R	DATE 29/6/93
CHECKED K.W	DATE 8/8/93
APPROVED	DATE

DIMENSIONS IN	
TOLERANCE (UNLESS OTHERWISE STATED)	
DIMENSIONAL	
CENTRES	
ANGULAR	
MODEL	2100SL-X
	EL34 VALVE TYPE

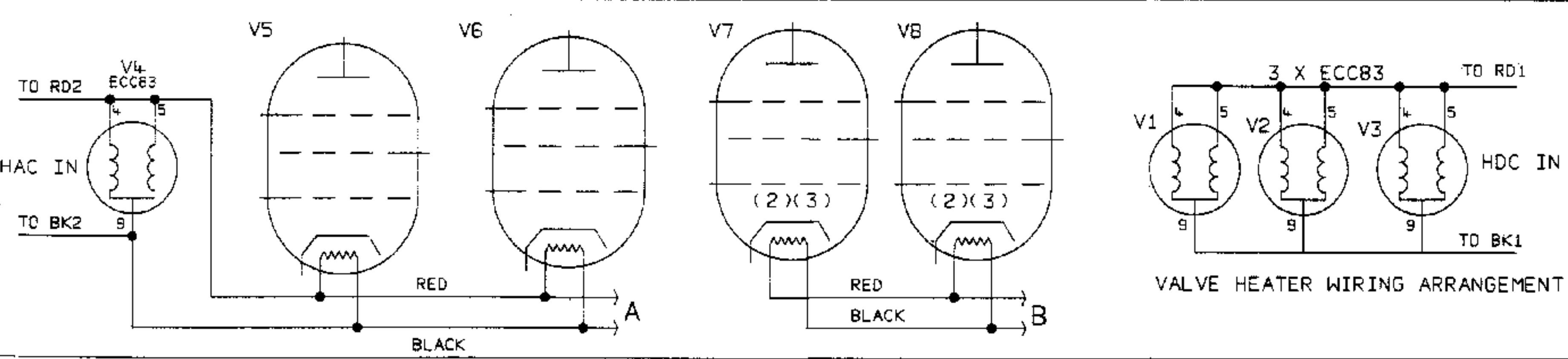
**Marshall**

COPYRIGHT EXISTS ON THIS DOCUMENT IT MUST NOT BE USED FOR ANY PURPOSE  
THAN THAT FOR WHICH IT IS SUPPLIED AND MUST NOT BE REPRODUCED  
OR IN PART) WITHOUT WRITTEN PERMISSION FROM  
MARSHALL AMPLIFICATION PLC  
DENNISH ROAD, BLECHLEY, MILTON KEYNES, MK1 1DQ.  
TEL: 0908375411 FAX: 0908376118

TITLE	
POWER AMP CCT	
DWG.No	ISSUE
2100-60-34	10



V5,6,7,8 VALVE TYPE, REF DWG: 2100-60-34.DGM FOR 120V UNITS  
FOR ALL OTHER UNITS, REF DWG: 2100-60-58.DGM



NOTES:  
DOTTED LINES DENOTE WIRES OFF THE PCB.  
P2 = REF DWG: 21006034.DGM or 21006058.DGM  
DEPENDING ON VALVE TYPE.  
E4 = GRID REF. E4.

UNSPECIFIED HOLE DATA				MATERIAL	DIMENSIONS IN	TITLE
9	0868	24/4/95	A	H	TOLERANCE (UNLESS OTHERWISE STATED):	POWER AMP CCT
8	0688	17/11/94	B	J	DIMENSIONAL	
7	0707	24/08/94	C	K	CENTRES	Marshall
6	0624	17/5/94	D	L	ANGULAR	
5	0444	8-11-93	E	M	MODEL	2100SL-X
4	0435	19-10-93	F	N	DATE 20/4/93	
3			G	P	DATE 27/4/95	DWG.No 2100-60-02
SS	ECD NUMBER	DATE			DATE	

COPYRIGHT EXISTS ON THIS DOCUMENT. IT MUST NOT BE USED FOR ANY PURPOSE THAN THAT FOR WHICH IT IS SUPPLIED AND MUST NOT BE REPRODUCED OR IN PART WITHOUT WRITTEN PERMISSION FROM MARSHALL AMPLIFICATION PLC  
DENWIGH ROAD, BLETCHLEY, MILTON KEYNES, MK1 10Q.  
TEL (0208)375611 FAX (0208)376110

