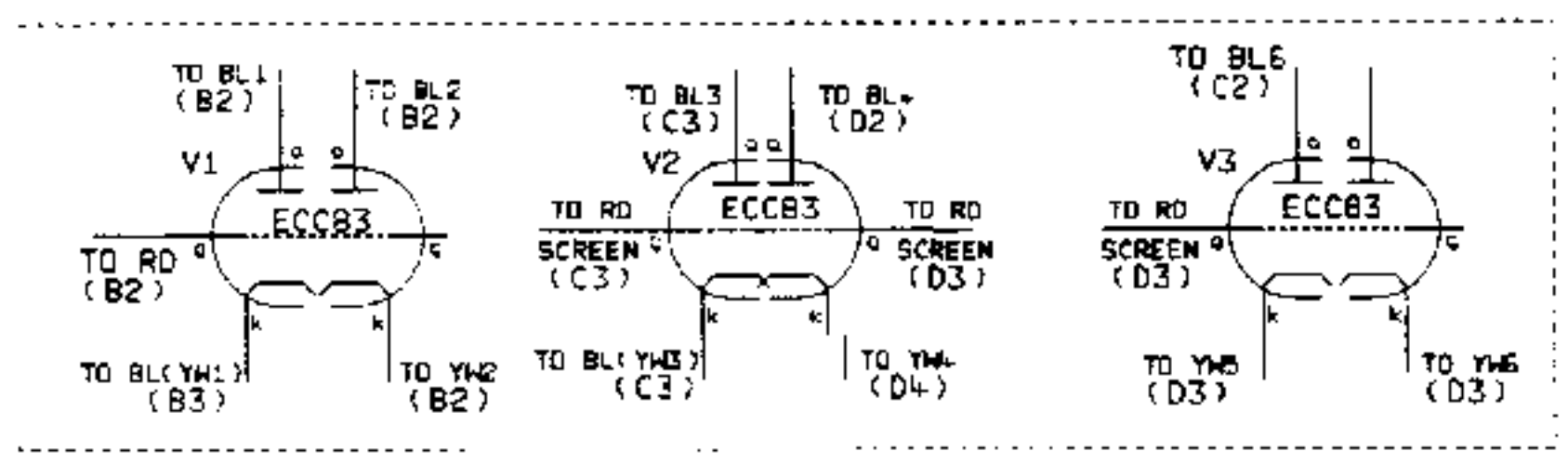
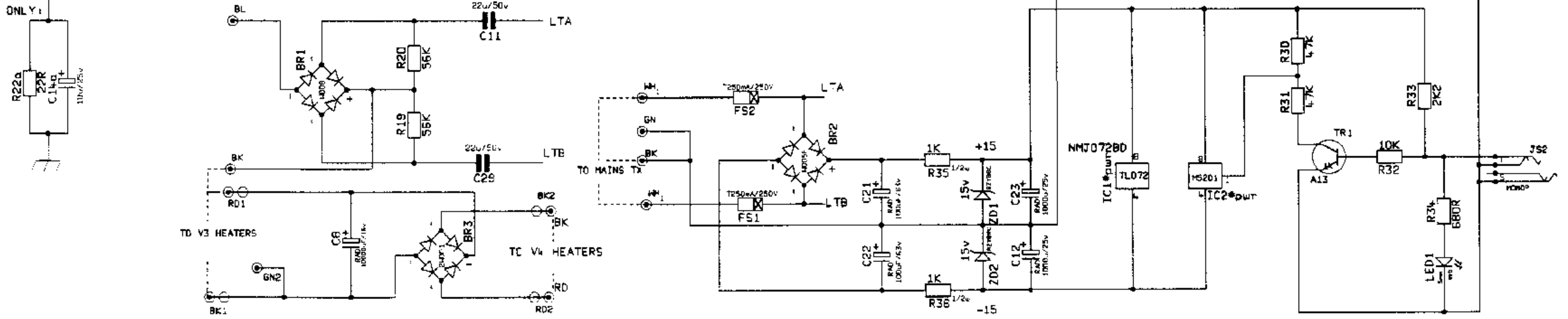


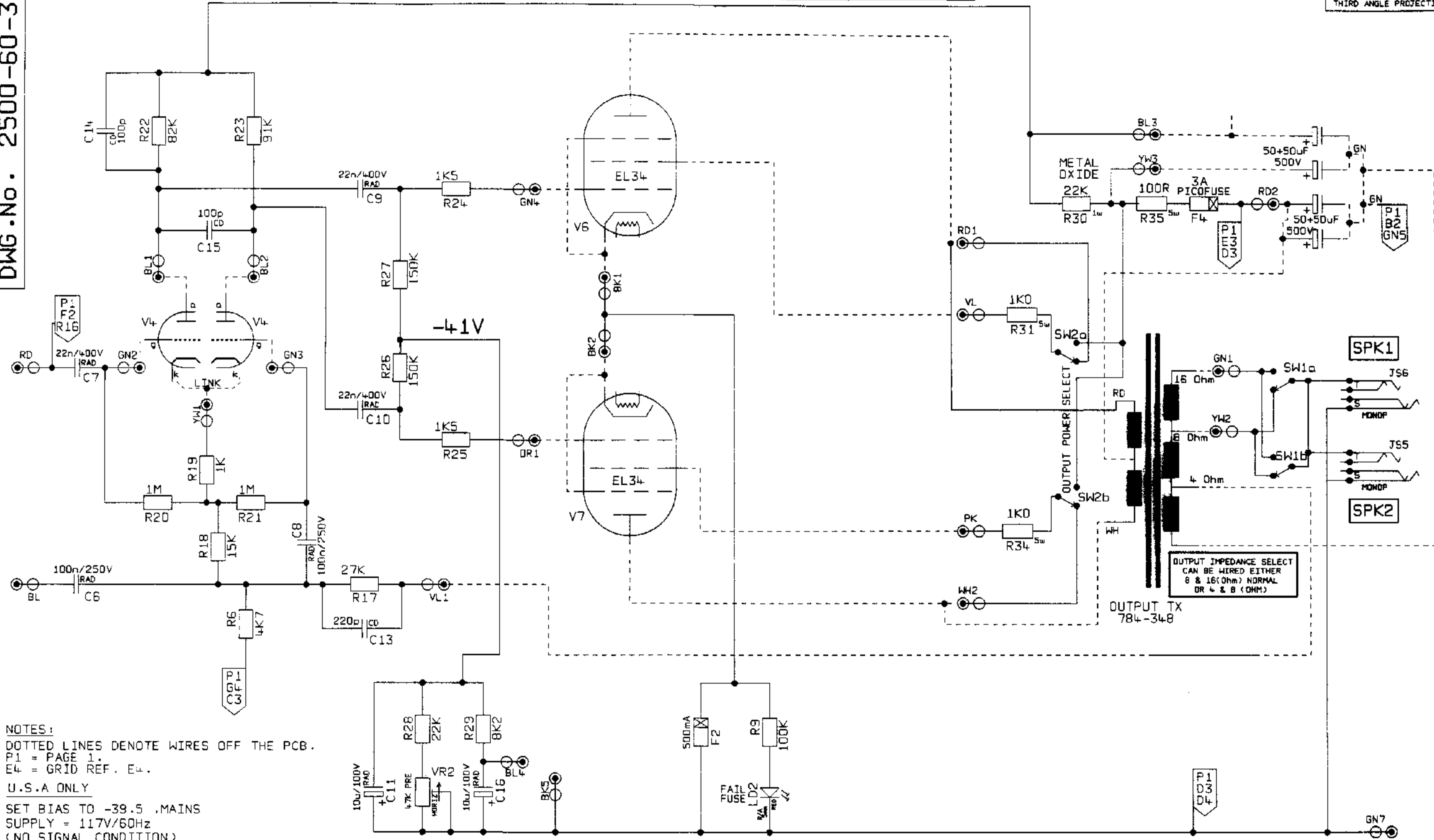
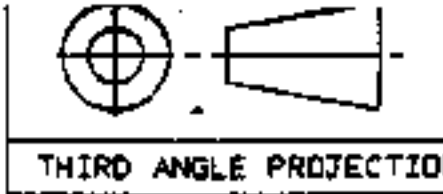
FOR 2500SLX ONLY:



NOTE
 ALL RESISTORS ARE 1/4W UNLESS OTHERWISE SPECIFIED
 DOTTED LINES DENOTE WIRES OF THE P.C.B.
 P1(D4) = TO PAGE 1 GRID LOCATION REF D4

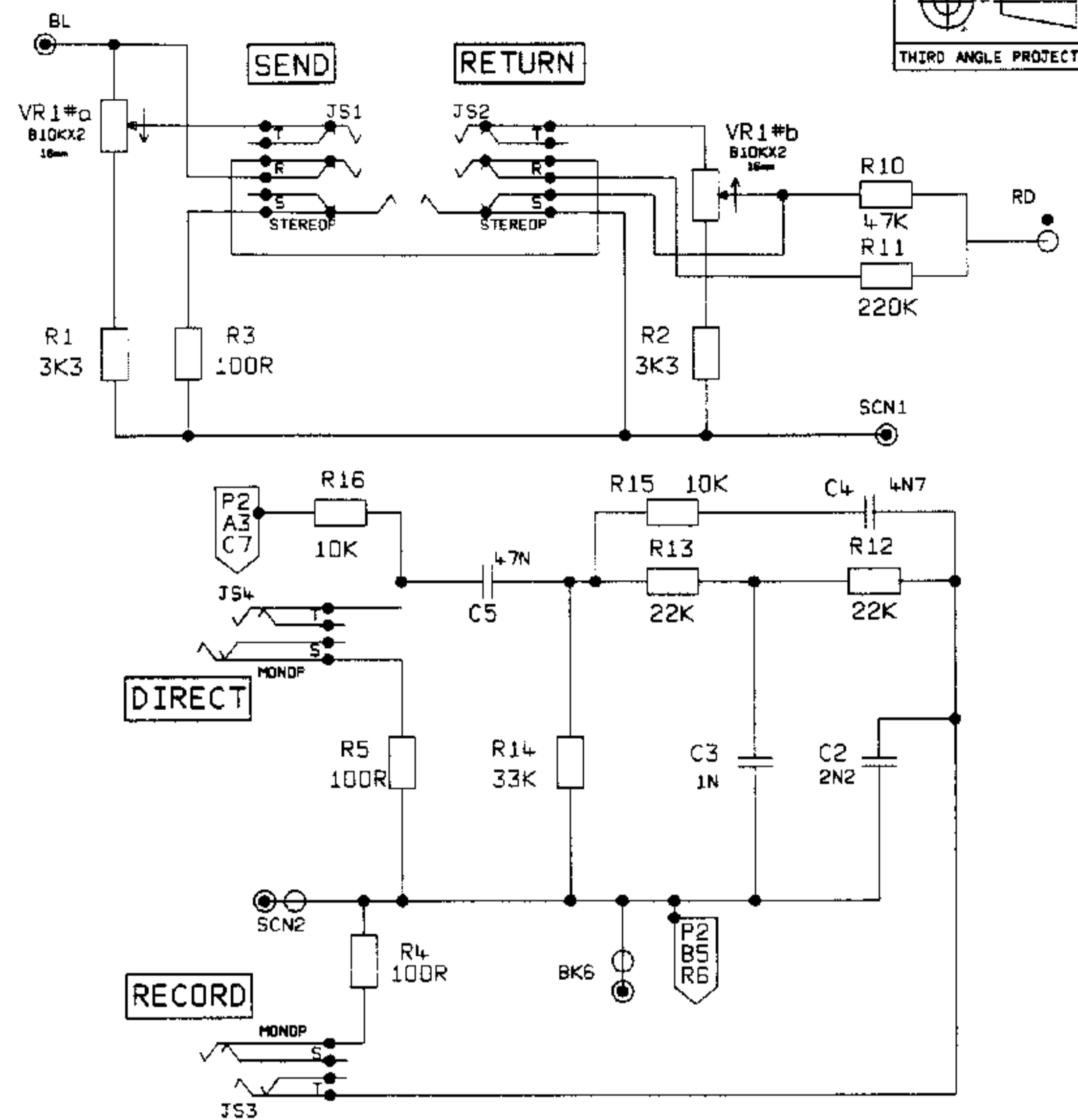
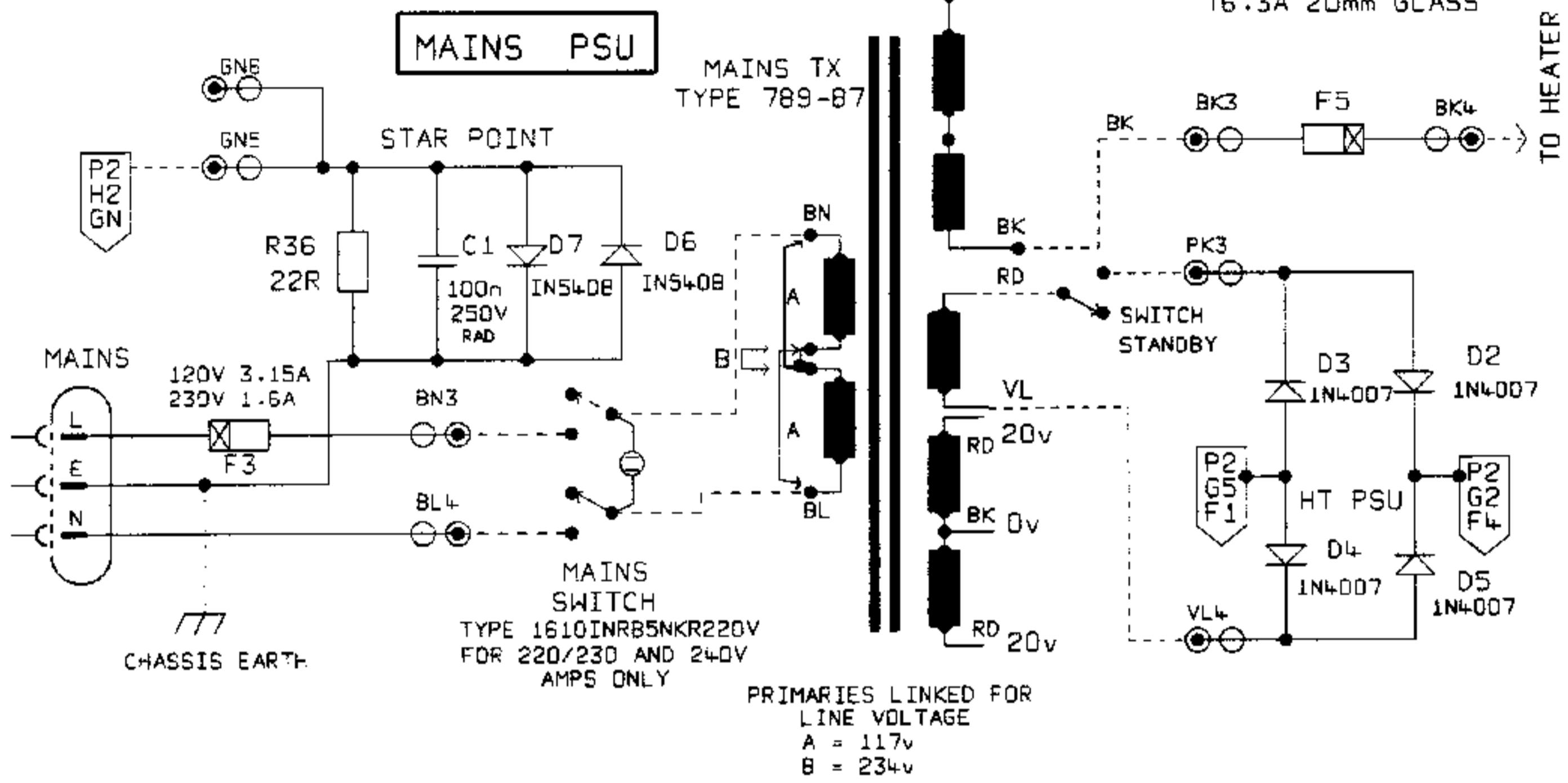
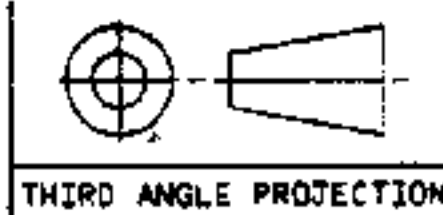
ISS		ECO NUMBER		DATE		UNSPECIFIED HOLE DATA		MATERIAL		DIMENSIONS IN		TITLE	
5	0459	23/02/94	A	H				MATERIAL THICKNESS	TOLERANCE (UNLESS OTHERWISE STATED)	<p>COPYRIGHT EXISTS ON THIS DOCUMENT. IT MUST NOT BE USED FOR ANY PURPOSE THAN THAT FOR WHICH IT IS SUPPLIED AND MUST NOT BE COPIED IN WHOLE OR IN PART WITHOUT WRITTEN PERMISSION FROM © MARSHALL APPLICATIONS PLC. DENBIGH ROAD, BLETCHLEY, MILTON KEYNES, MK: 10G. TEL (0908) 375411 FAX (0908) 376118</p>		PRE AMP CCT A2 DWG.No. SLXa-61-02 ISSUE 5	
4	0461	10/1/94	B	J			INTERNAL BEND RADIUS	DIMENSIONAL					
3	0428	09/11/93	C	K			EXTERNAL S/A	CENTRES					
2	0374	29/06/93	D	L			BEND DIE	ANGULAR					
1	MANUFACTURE RELEASE	05/05/93	E	M			DRAWN T.FOY	DATE 05/05/93	MODEL				
			F	N			CHECKED	DATE					
			G	P			APPROVED	DATE					

EL34 VALVE TYPE

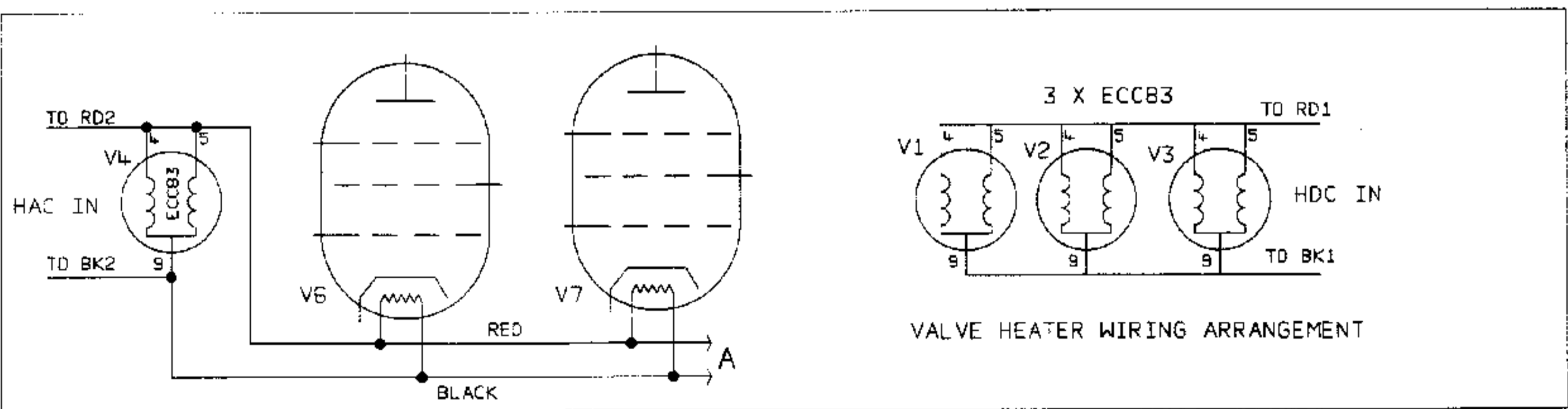


NOTES:
 DOTTED LINES DENOTE WIRES OFF THE PCB.
 P1 = PAGE 1.
 E4 = GRID REF. E4.
 U.S.A ONLY
 SET BIAS TO -39.5 V MAINS
 SUPPLY = 117V/60Hz
 (NO SIGNAL CONDITION)

UNSPECIFIED HOLE DATA			MATERIAL		DIMENSIONS IN		TITLE	
			MATERIAL THICKNESS		TOLERANCE (UNLESS OTHERWISE STATED)	Marshall		POWER AMP CCT
13	1003	9/10/95	INTERNAL BEND RADI		DIMENSIONAL	COPYRIGHT EXISTS ON THIS DOCUMENT. IT MUST NOT BE USED FOR ANY PURPOSE OTHER THAN THAT FOR WHICH IT IS SUPPLIED AND MUST NOT BE REPRODUCED OR IN PART WITHOUT WRITTEN PERMISSION FROM MARSHALL AMPLIFICATION PLC DONWICH ROAD, BLECKLEY, MILTON KEYNES, MK1 1DG. TEL (0908)575411 FAX (0908)576118		DWG.No
12	0988	6/8/95	EXTERNAL B/A		CENTRES			2500-60-34
11	0868	12/4/95	BEND DIE		ANGULAR			ISSUE
10	0688	17-11-94	DRAWN: CJR	DATE: 29/6/93	MODEL: 2500SL-X			13
ISS	ECG NUMBER	DATE	CHECKED: [Signature]	DATE: 9/10/95	EL34 VALVE TYPE			



V6.7 VALVE TYPE, REF DWG: 2500-60-34.DGM FOR 120V UNITS
FOR ALL OTHER UNITS, REF DWG: 2500-60-58.DGM



NOTES:
DOTTED LINES DENOTE WIRES OFF THE PCB.
P2 = REF DWG: 25006034.DGM or 25006058.DGM DEPENDING ON VALVE TYPE.
E4 = GRID REF. E4.

UNSPECIFIED HOLE DATA			MATERIAL		DIMENSIONS IN	
11	0868	24/4/95	A	H	TOLERANCE (UNLESS OTHERWISE STATED):	
10	0688	17-11-94	B	J	DIMENSIONAL	
9	0650	26-5-94	C	K	CENTRES	
8	0624	16/5/94	D	L	ANGULAR	
7	0558	24/02/94	E	M	MODEL	
ISS	ECO NUMBER	DATE	F	N	2500SL-X	
			G	P		

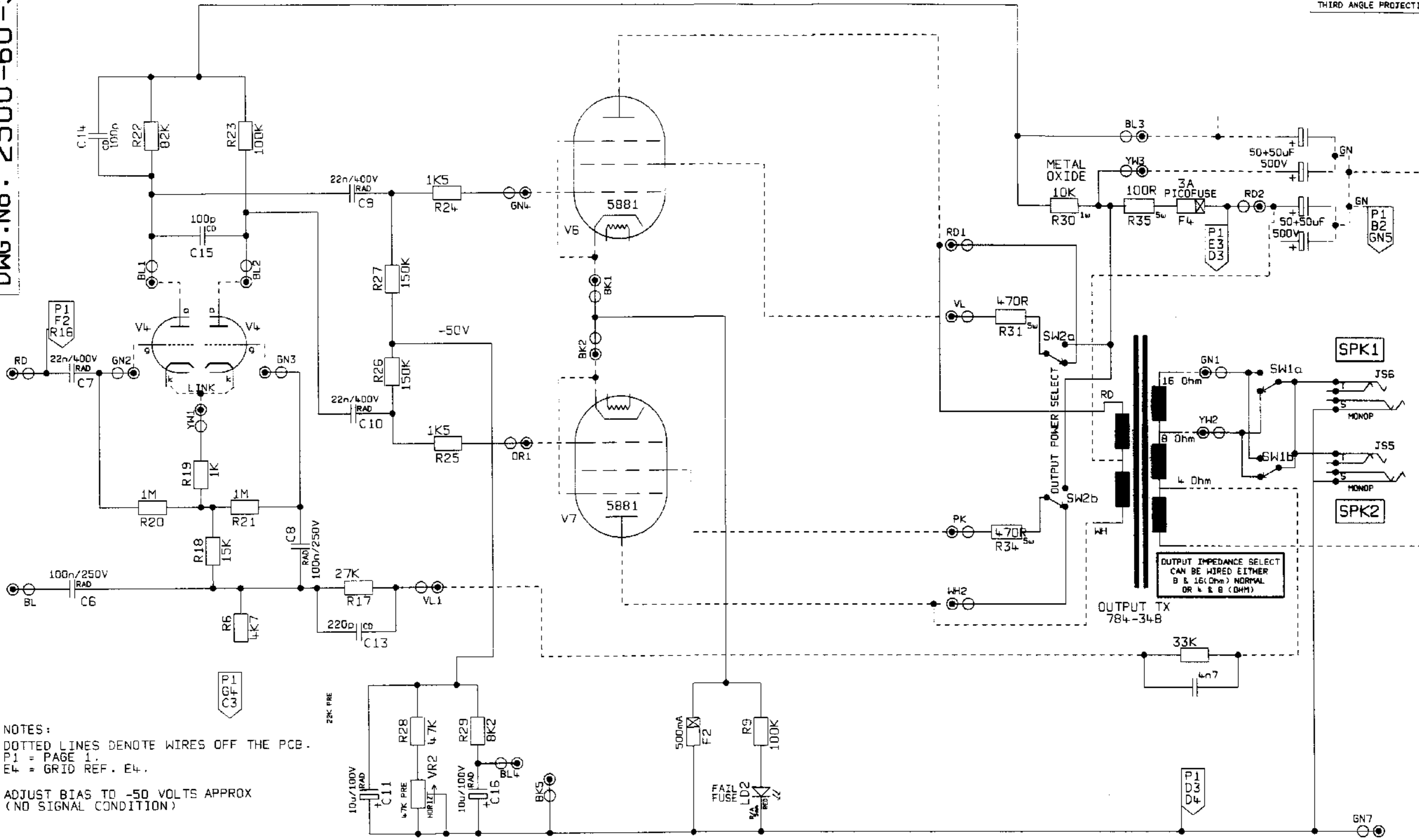
Marshall

TITLE: **POWER AMP CCT**

DWG. No: **2500-60-02** ISSUE: **11**

© MARSHALL AMPLIFICATION PLC
DENWIP ROAD, BLETCHLEY, MILTON KEYNES, MK1 1DG.
TEL: (0908)375411 FAX: (0908)376118

5881 VALVE TYPE



NOTES:
 DOTTED LINES DENOTE WIRES OFF THE PCB.
 P1 = PAGE 1.
 E4 = GRID REF. E4.
 ADJUST BIAS TO -50 VOLTS APPROX
 (NO SIGNAL CONDITION)

ISS	ECO NUMBER	DATE	A	H
12	0998	16/8/95	D	L
11	0868	12/4/95	E	M
10	0688	17-11-94	F	N
			G	P

UNSPECIFIED HOLE DATA		MATERIAL	
		MATERIAL THICKNESS	
		INTERNAL BEND RADIUS	
		EXTERNAL B/A	
		BEND D/DIE	
		DRAWN CJR	DATE 29/6/93
		CHECKED <i>KS</i>	DATE 16-8-95
		APPROVED	DATE

Marshall

MODEL **2500SL-X**
5881 VALVE TYPE

Copyright exists on this document. It must not be used for any purpose other than that for which it is supplied and must not be reproduced or in part without written permission from
 © MARSHALL AMPLIFICATION PLC
 OSWALD ROAD, BLETCHLEY, MILTON KEYNES, MK1 1DG.
 TEL (0298) 275111 FAX (0298) 1576119

TITLE		DWG.No		ISSUE	
POWER AMP CCT		2500-60-58		12	