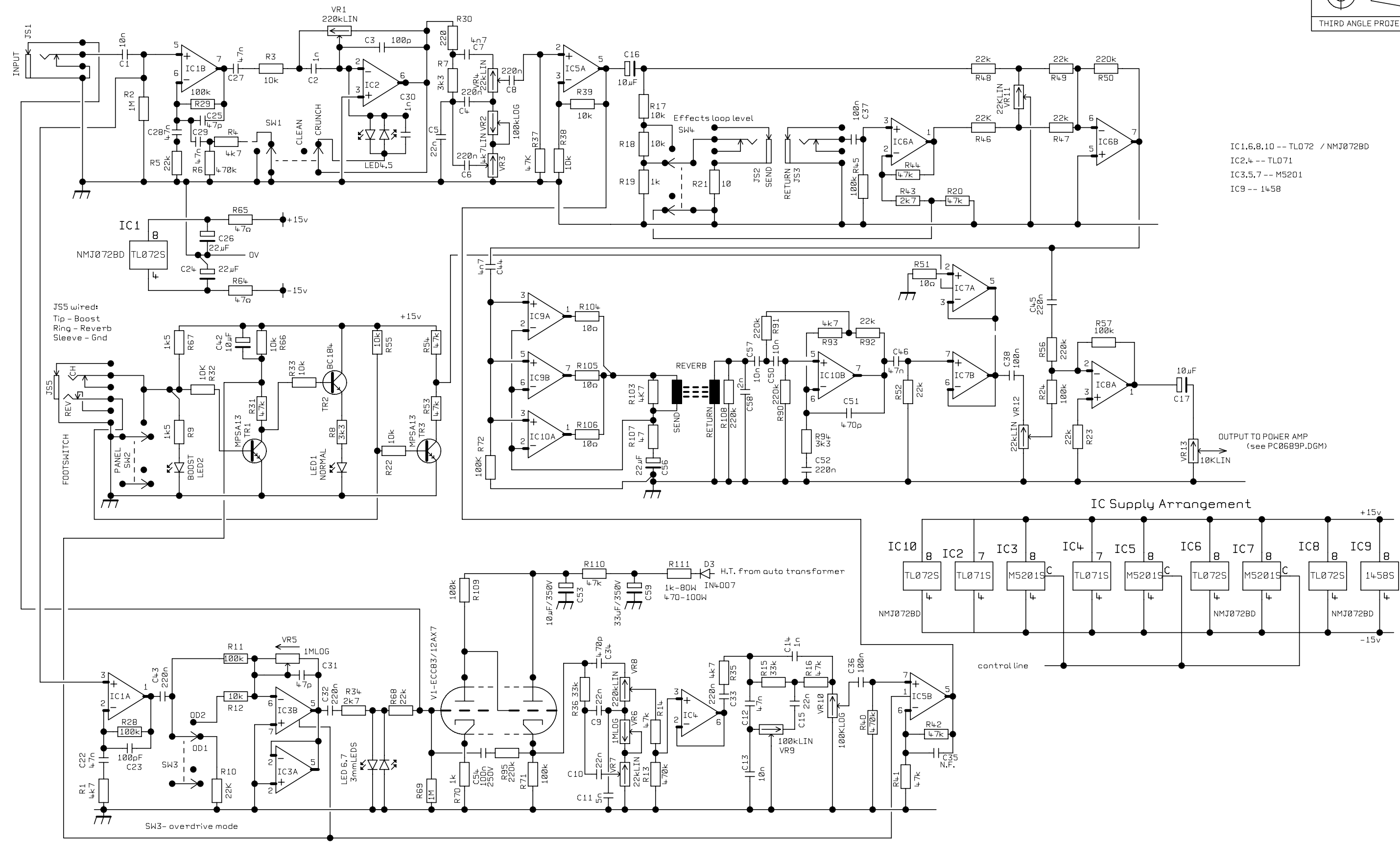
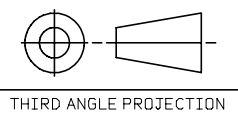


DWG.No. PC0689.DGM

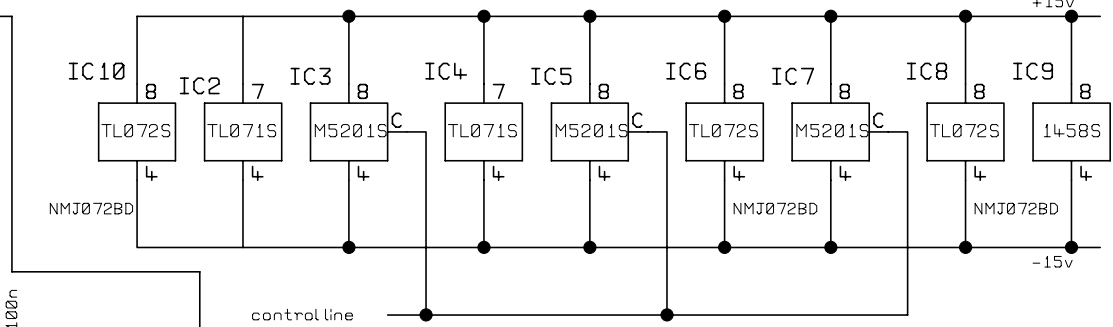


IC1,6,8,10 -- TL072 / NMJ072BD
 IC2,4 -- TL071
 IC3,5,7 -- M5201
 IC9 -- 1458

J55 wired:
 Tip - Boost
 Ring - Reverb
 Sleeve - Gnd

FOOTSWITCH
 PANEL SW2
 BOOST LED2
 LED1 NORMAL

IC Supply Arrangement



SW3 - overdrive mode

UNSPECIFIED HOLE DATA

A	H
B	J
C	K
D	L
E	M
F	N
G	P

MATERIAL

MATERIAL THICKNESS
INTERNAL BEND RADII
EXTERNAL B/A
BEND DIE
DRAWN S.G
CHECKED
APPROVED

DIMENSIONS IN

TOLERANCE (UNLESS OTHERWISE STATED)
DIMENSIONAL
CENTRES
ANGULAR
MODEL 8080/8100 VALVESTATE
DATE 11/06/91
DATE
DATE

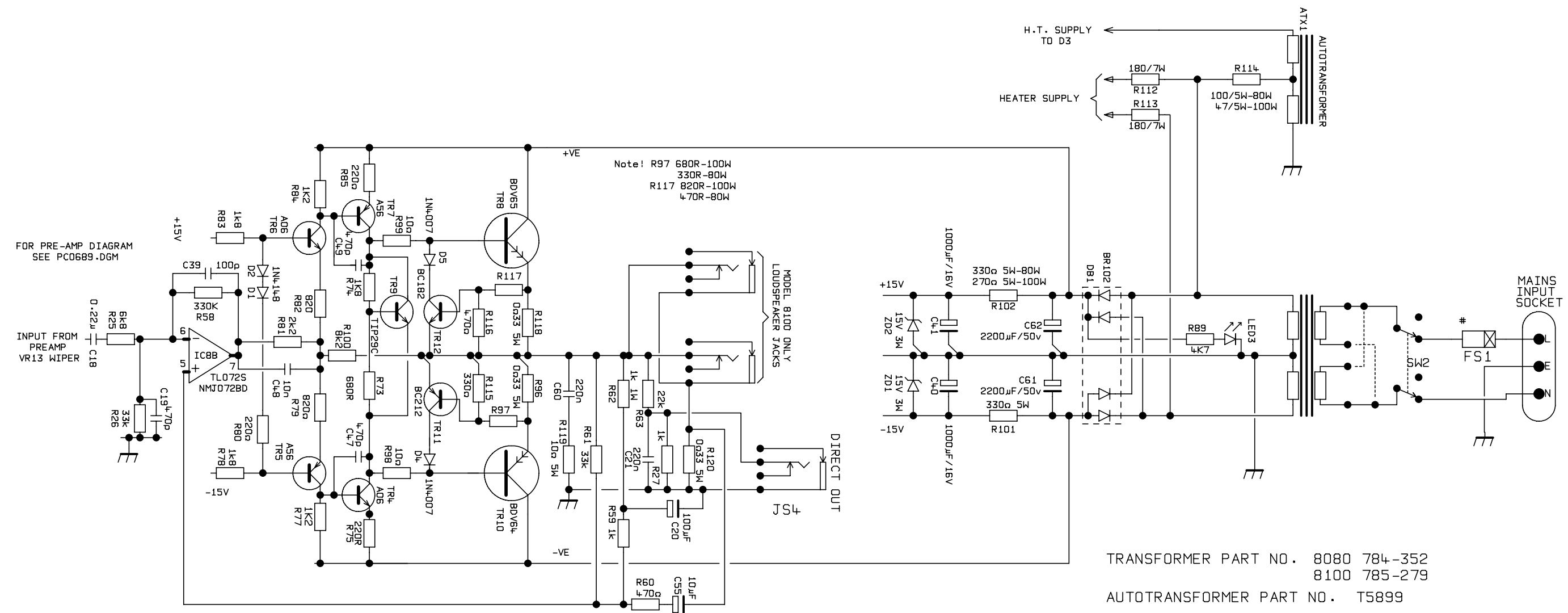
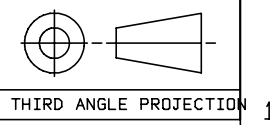


COPYRIGHT EXISTS ON THIS DOCUMENT. IT MUST NOT BE USED FOR ANY PURPOSE THAN THAT FOR WHICH IT IS SUPPLIED AND MUST NOT BE COPIED OR IN PART) WITHOUT WRITTEN PERMISSION FROM
 © JIM MARSHALL (PRODUCTS) LTD.
 DENBIGH ROAD, BLETCHLEY, MILTON KEYNES, MK1 1DQ.
 TEL. (0900)3 75411 FAX (0900)3 76118

TITLE

CCT DIAGRAM
DWG.No PC0689.DGM
ISSUE 5

DWG.No - PC0689P.DGM



Note! R97 680R-100W
330R-80W
R117 820R-100W
470R-80W

TRANSFORMER PART NO. 8080 784-352
8100 785-279
AUTOTRANSFORMER PART NO. T5899
MAINS SWITCH PART NO. IT4100200
FUSES: T1A -230V
T2A -120V

For continued protection against fire,
replace primary fuse only with same type and rating.

9	0451	07/03/94
8	0479	18/1/94
7	0442	28/10/93
6	0393	08/09/93
5	0247	03/07/92
4	0200	02/04/92
3	0110	02/01/92
ISS	ECO NUMBER	DATE

UNSPECIFIED HOLE DATA	
A	H
B	J
C	K
D	L
E	M
F	N
G	P

MATERIAL	
MATERIAL THICKNESS	
INTERNAL BEND RADII	
EXTERNAL B/A	
BEND DIE	
DRAWN T.F	DATE 03/04/92
CHECKED	DATE
APPROVED	DATE

DIMENSIONS IN	
TOLERANCE (UNLESS OTHERWISE STATED)	
DIMENSIONAL	
CENTRES	
ANGULAR	
MODEL	
8080/8100	

Marshall

COPYRIGHT EXISTS ON THIS DOCUMENT. IT MUST NOT BE USED FOR ANY PURPOSE THAN THAT FOR WHICH IT IS SUPPLIED AND MUST NOT BE COPIED IN WHOLE OR IN PART) WITHOUT WRITTEN PERMISSION FROM
© JIM MARSHALL (PRODUCTS) LTD.
DENBIGH ROAD, BLETCHLEY, MILTON KEYNES, MK1 10Q.
TEL (0908)375411 FAX (0908)376118

TITLE	
CCT DIAGRAM	
DWG.No	ISSUE
PC0689P.DGM	9