

DWG.NO. V120-61-02

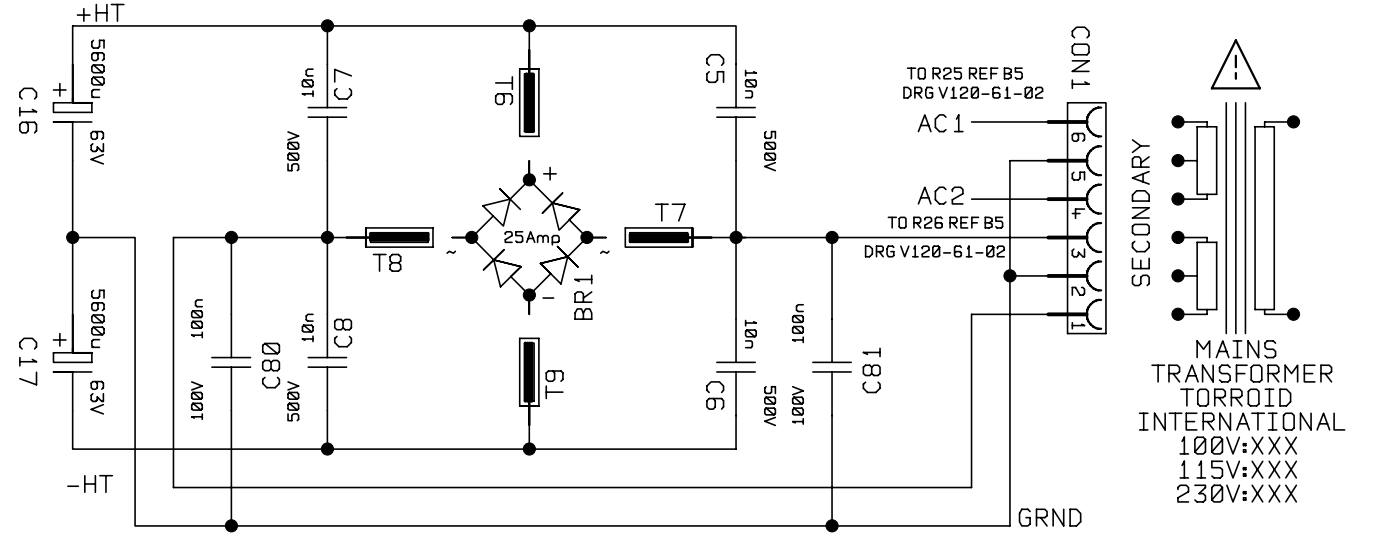
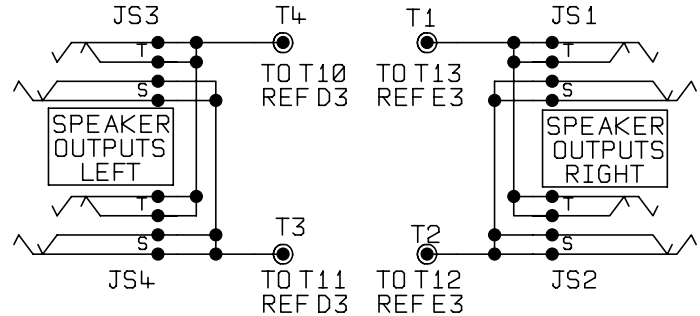
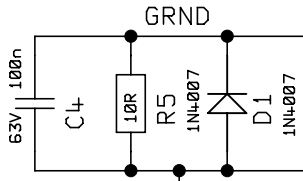
TO C56  
DRG V120-63-02  
REF F4.

TO R42  
DRG V120-61-02  
REF D4.

TO C55  
DRG V120-63-02  
REF F2.

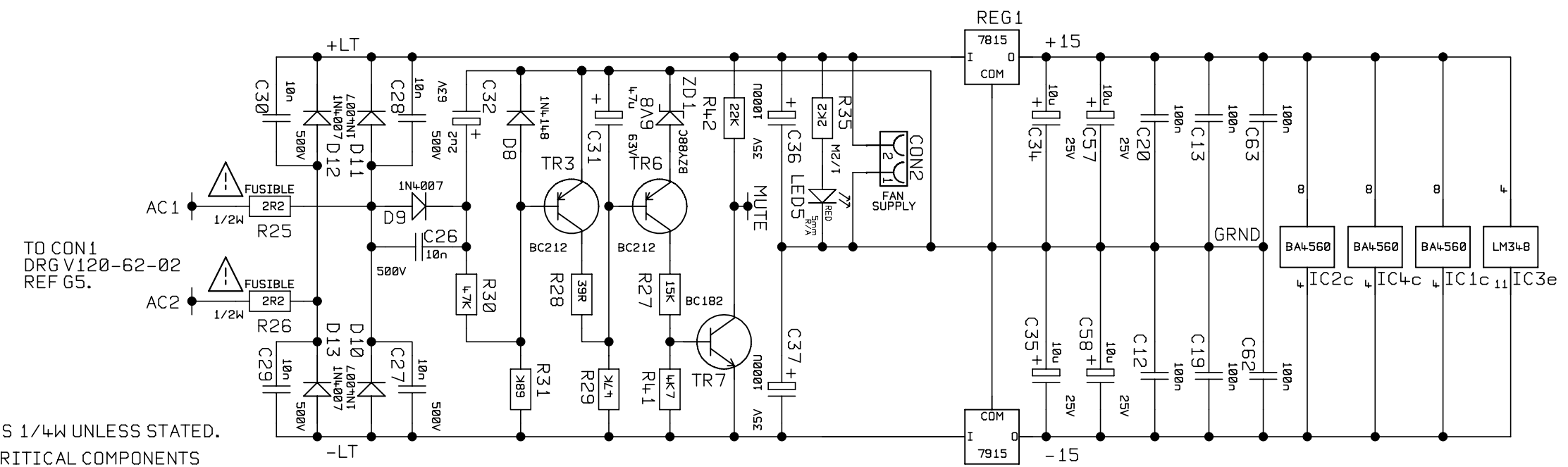
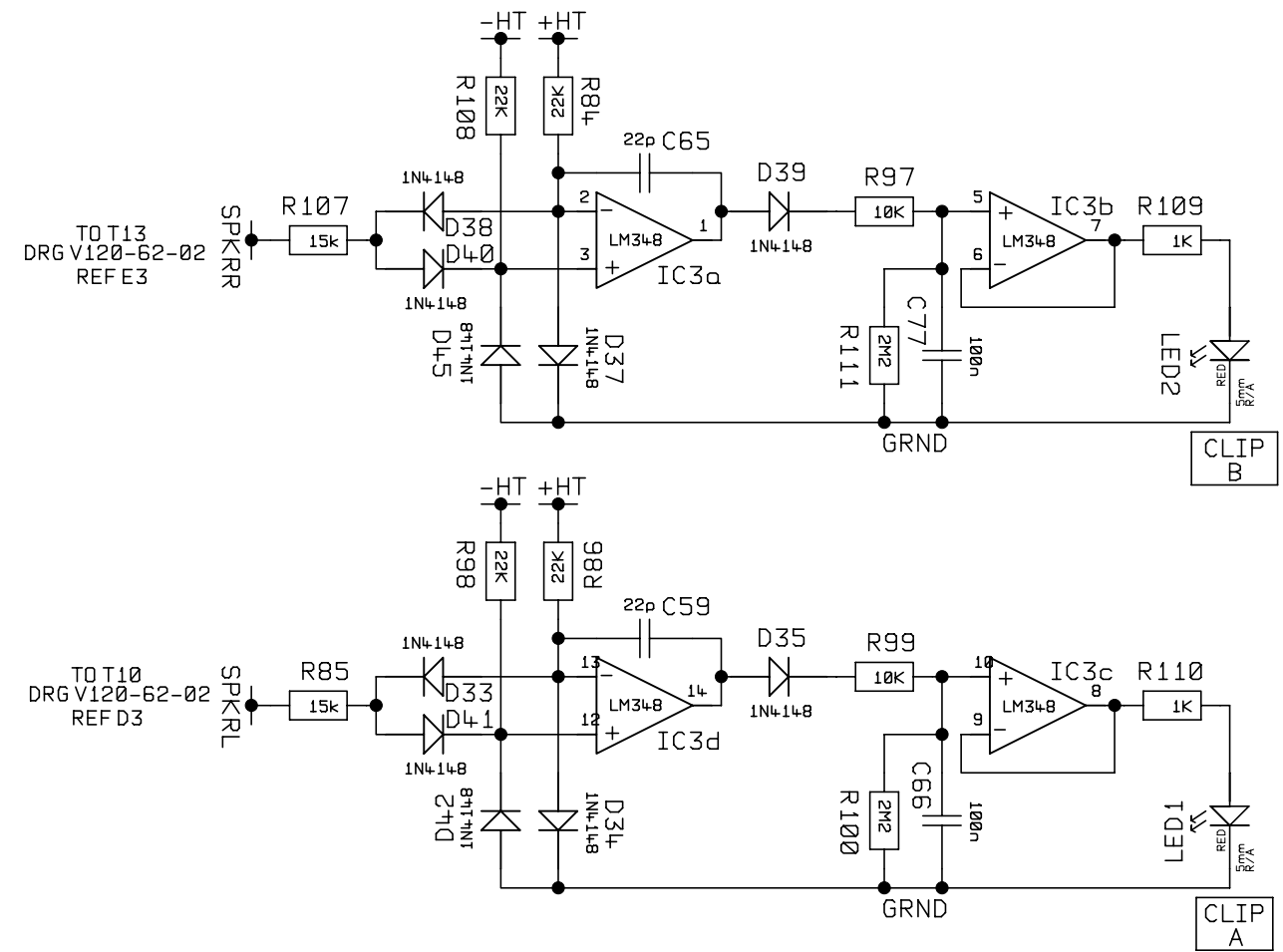
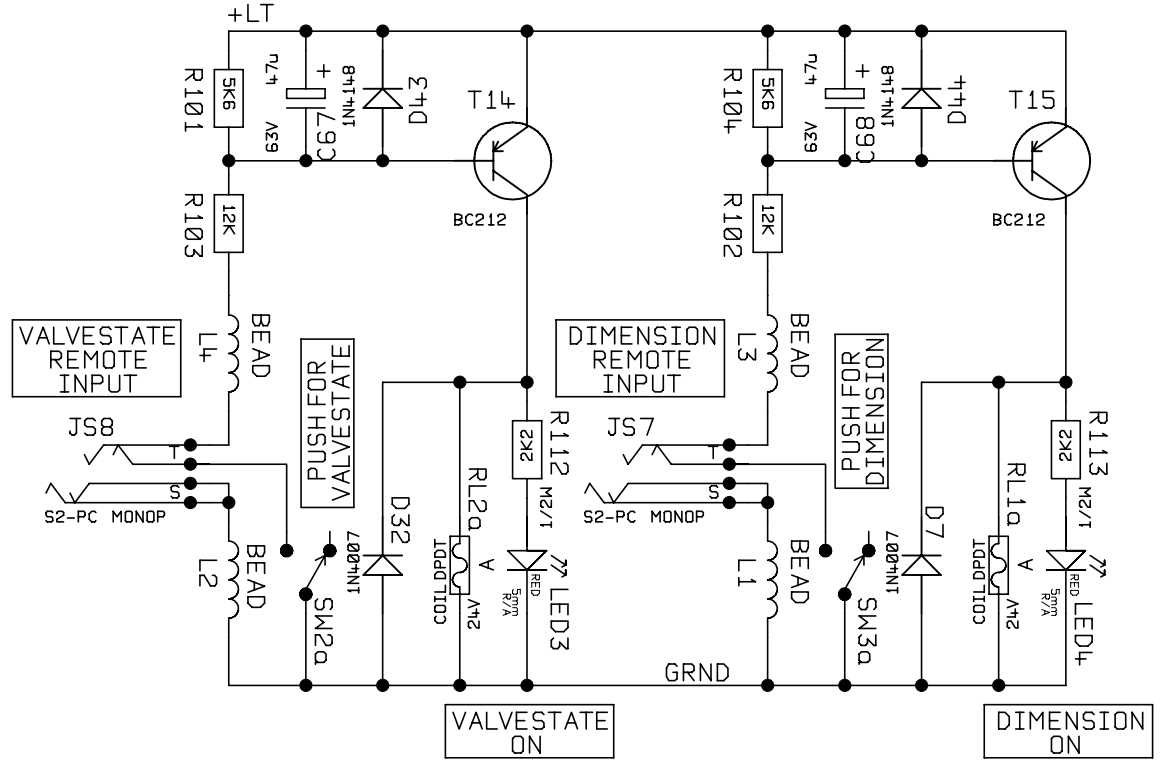
TO R42  
DRG V120-61-02  
REF D4.

- NOTES:-**
- 1) ALL RESISTORS 1/4W UNLESS STATED.
  - 2) SAFETY CRITICAL COMPONENTS MUST BE REPLACED WITH THE SAME TYPE AND RATING ONLY.
  - 3) TO R42 REF D4 = TO RESISTOR R42 GRID REFERENCE D4.



ISS		ECO NUMBER	DATE	ALL OTHER HOLES =		X = (THROUGH PLATED)		MATERIAL		DIMENSIONS IN		<p>© JIM MARSHALL (PRODUCTS) LTD. DENBIGH ROAD, BLETCHLEY, MILTON KEYNES, MK1 1DQ. TEL (0908)375411 FAX (0908)376118</p>	TITLE		SHT 1 OF 3	
				A	E	J	N	MATERIAL THICKNESS		TOLERANCE (UNLESS OTHERWISE STATED)			POWER AMPLIFIERS		ISS	
				B	F	K	P	DRAWN B.KEIR		DATE 18.11.96			V120-61-02		2	
				C	G	L	Q	CHECKED		DATE			120/120			
				D	H	M	R	APPROVED		DATE						

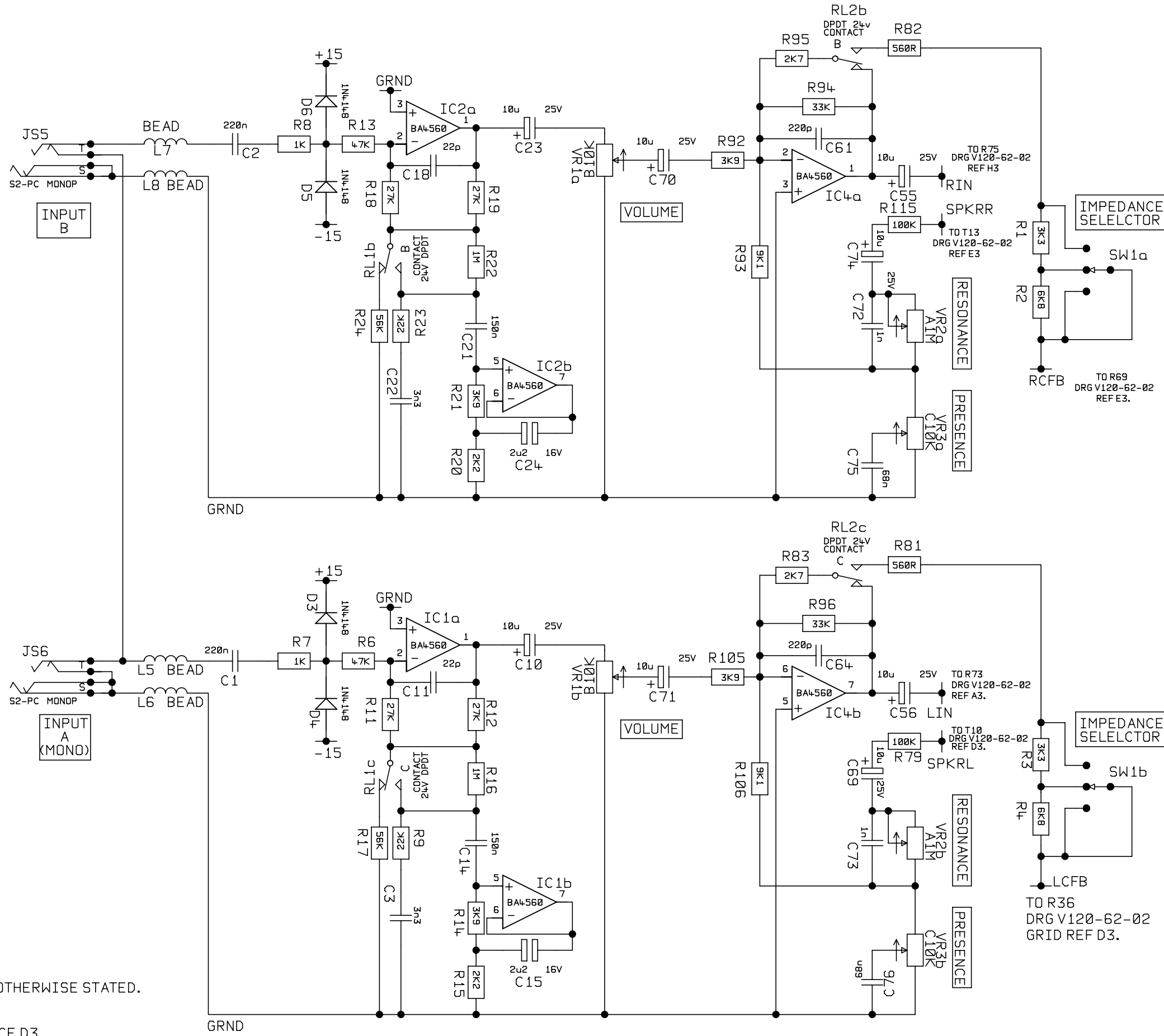
DWG.NO. V120-61-02




- NOTES:-**
- 1) ALL RESISTORS 1/4W UNLESS STATED.
  - 2) SAFETY CRITICAL COMPONENTS MUST BE REPLACED WITH THE SAME TYPE AND RATING ONLY.
  - 3) TO CON1 REF G5:-  
TO CONNECTOR 1 GRID REF G5.

ISS		ECO NUMBER	DATE	ALL OTHER HOLES =		X = (THROUGH PLATED)		MATERIAL	DIMENSIONS IN	<p>© JIM MARSHALL (PRODUCTS) LTD. DENBIGH ROAD, BLETCHLEY, MILTON KEYNES, MK1 1DQ. TEL. (0908)375411 FAX (0908)376118</p>	TITLE	REGULATORS, MUTING PEAK AND REMOTE	
A	B	C	D	E	F	G	H	J	K		DATE		13.03.97
								DATE	13.03.97		MODEL		120/120
								DATE					

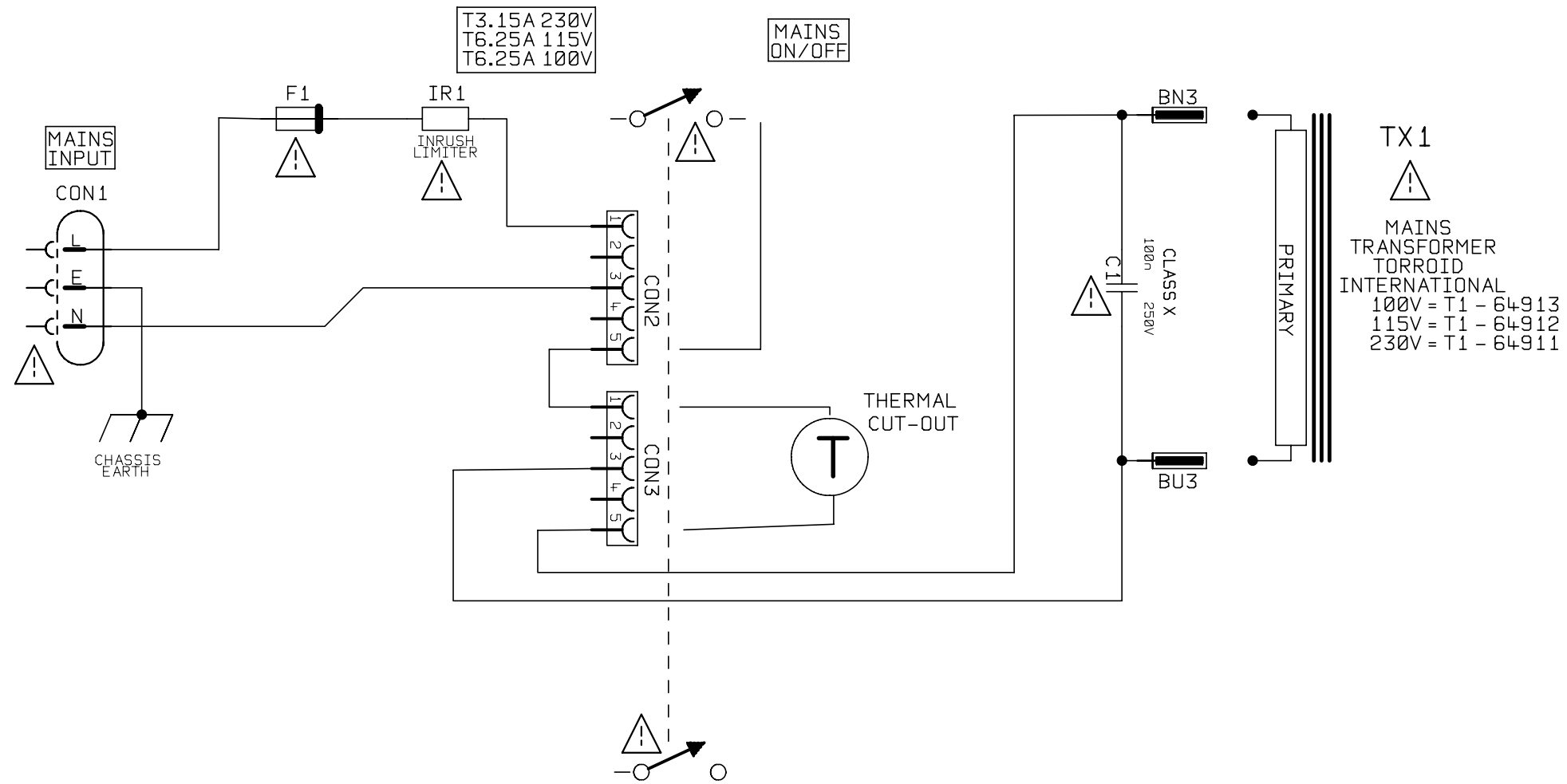
DRG NO. V120-61-02



NOTES:-  
 1) ALL RESISTORS 1/4W UNLESS OTHERWISE STATED.  
 2) TO R36 GRID REF D3:-  
 TO RESISTOR R36 GRID REFERENCE D3.

ISS		ECO NUMBER	DATE	ALL OTHER HOLES =		X = (THROUGH PLATED)		MATERIAL		DIMENSIONS IN		 © JIM MARSHALL (PRODUCTS) LTD. DENBIGH ROAD, BLETCHLEY, MILTON KEYNES, MK1 1DQ. TEL (0908)375411 FAX (0908)376118	TITLE	SHT 3 OF 3	
A	B	C	D	E	F	G	H	J	K	L	M		MATERIAL THICKNESS	INPUT STAGES	
								DRAWN B.KEIR DATE 13.03.97					DWG.No	ISS	
								CHECKED DATE					V120-61-02	2	
								APPROVED DATE				120/120			

DWG.No. V120-60-02



**MAINS SWITCH**  
 PART NO  
 H8550VB  
 ABJCL076

**NOTES**

- 1) SAFETY CRITICAL COMPONENTS MUST BE REPLACED WITH THE SAME TYPE AND RATING ONLY.
- 2) INRUSH LIMITER (IR1):-  
 TYPE SG170 FOR 230V MODELS  
 TYPE SG160 FOR 100V AND 115V MODELS

ISS		ECO NUMBER	DATE	ALL OTHER HOLES =				X = (THROUGH PLATED)				MATERIAL		DIMENSIONS IN		 <small>© MARSHALL AMPLIFICATION PLC          DENBIGH ROAD, BLETCHLEY, MILTON KEYNES, MK1 1DQ.          TEL (01908) 375411 FAX (01908) 376118</small>	TITLE	<b>MAINS BOARD</b> DWG.No V120-60-02 ISS 2	
A	B	C	D	E	F	G	H	J	K	L	M	N	P	Q	R		MATERIAL THICKNESS		TOLERANCE (UNLESS OTHERWISE STATED)
DRAWN		DATE		CHECKED		DATE		APPROVED		DATE		MODEL		120/120					
B.KEIR		18.11.96																	