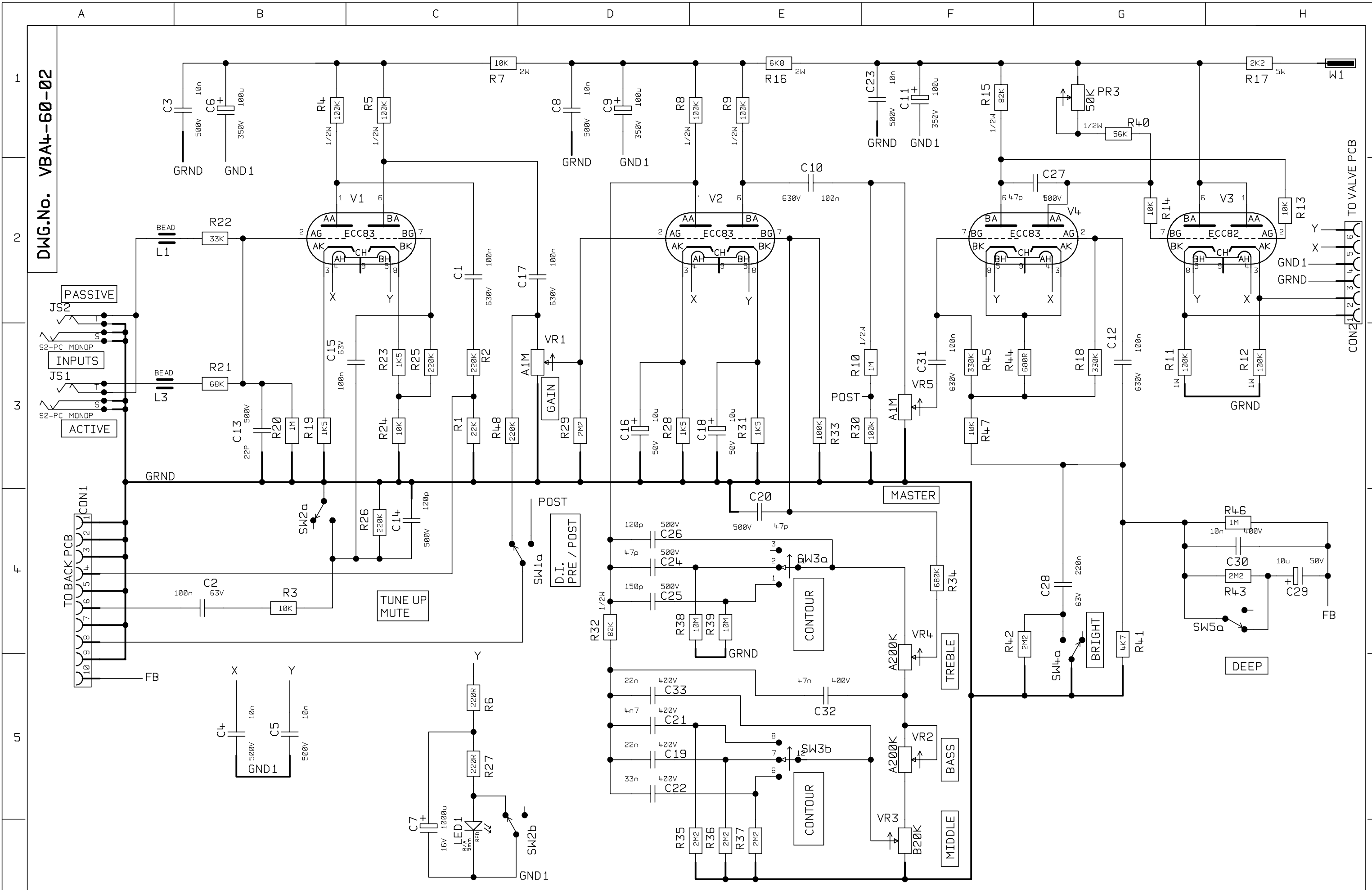



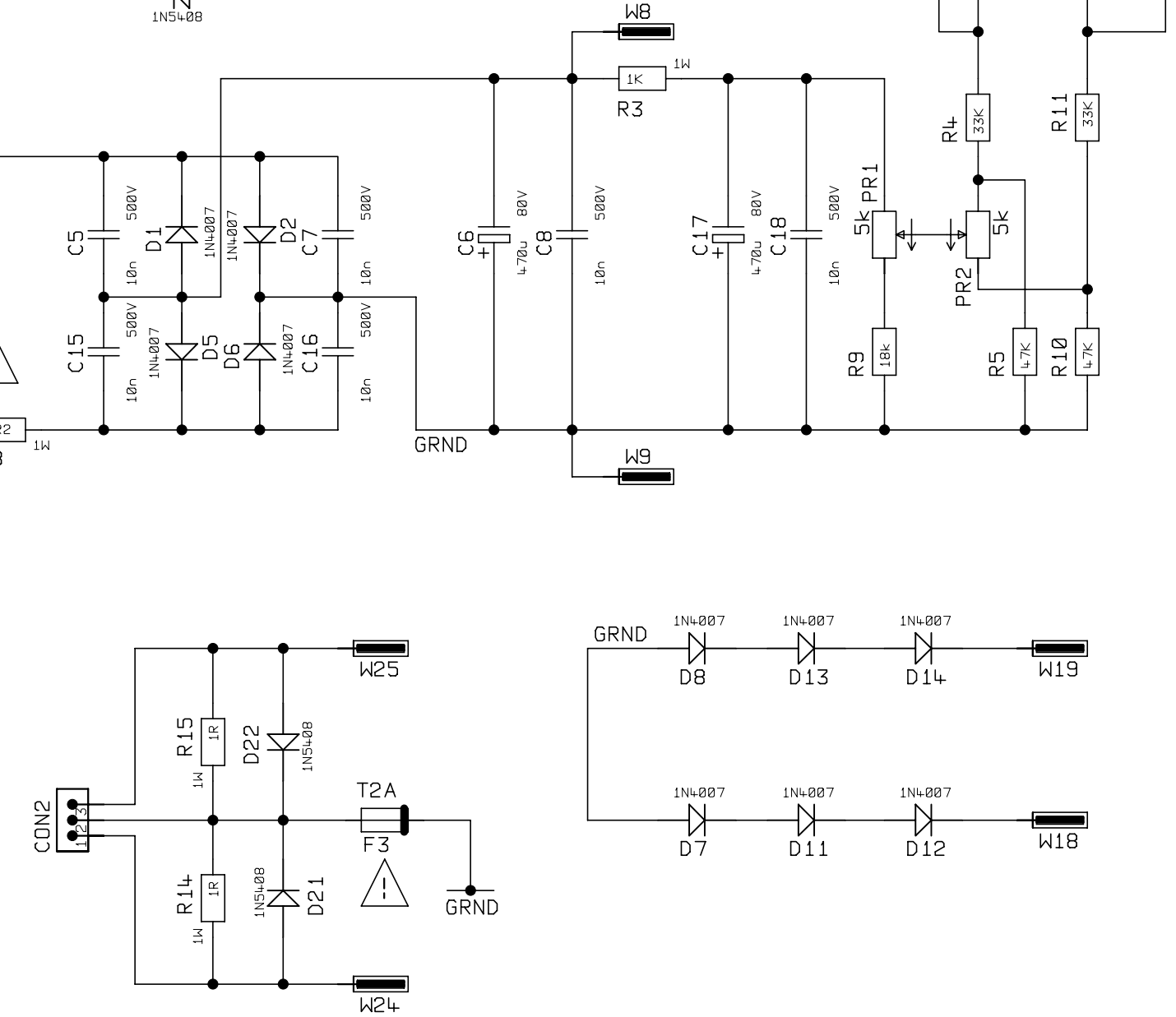
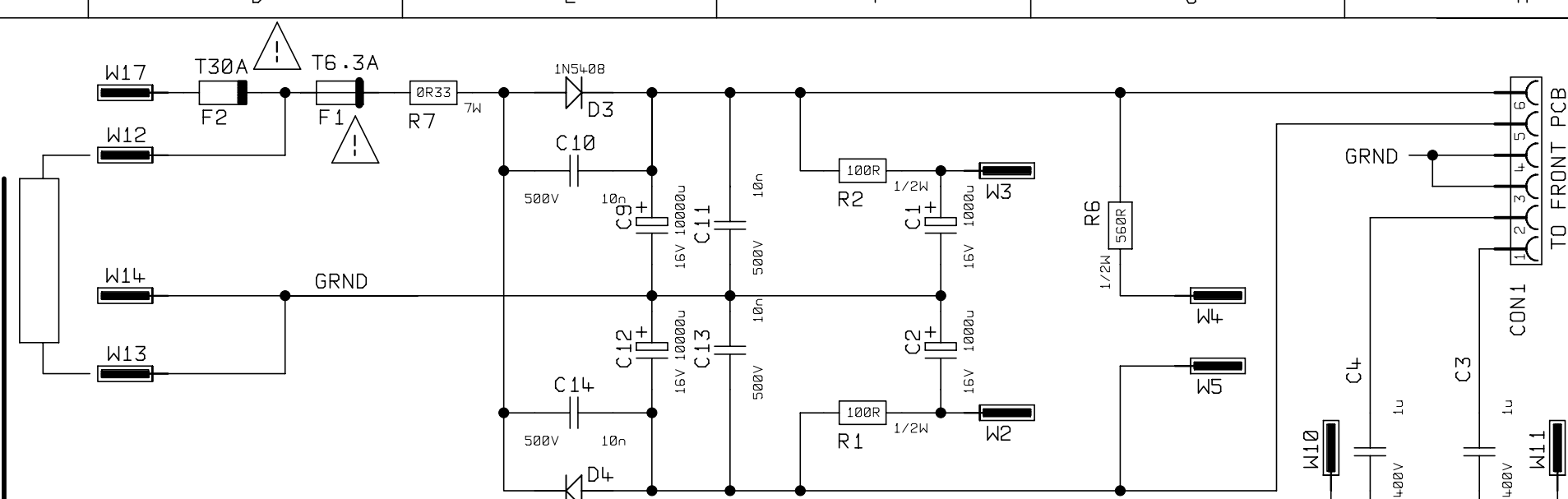
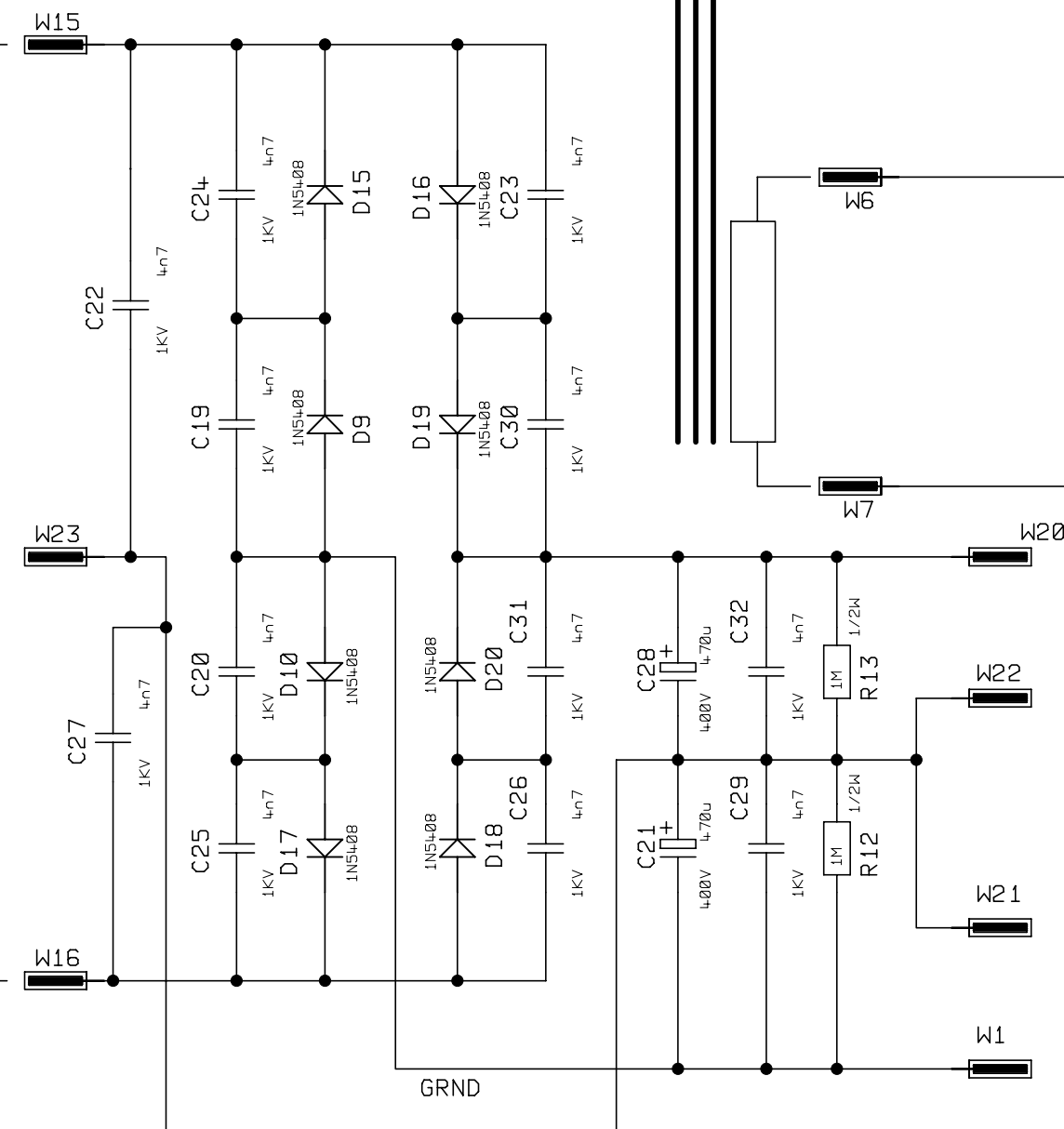
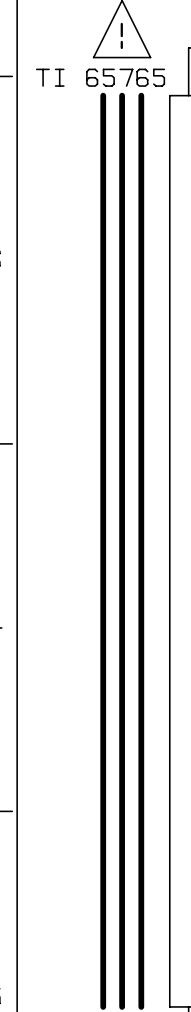
DWG.No. VBA4-60-02



ALL OTHER HOLES =		X = (THROUGH PLATED)		MATERIAL	DIMENSIONS IN		 <p>TITLE FRONT PCB</p> <p>DENBIGH ROAD, BLETCHLEY, MILTON KEYNES, MK1 1DQ. TEL (01908) 375411 FAX (01908) 376118</p>
				MATERIAL THICKNESS	TOLERANCE (UNLESS OTHERWISE STATED)		
				DRAWN: G.	DATE: 10-1-98		
				CHECKED:	DATE:		
2	PRODUCTION	19/10/98		APPROVED:	MODE: VBA400		DWG.No VBA4-60-02
ISS	ECO NUMBER	DATE					

ignore layers 4

DWG.No. VAB4-61-00



4	1813	17-8-99	A		E		J		N				
3	1780	26-2-99	B		F		K		P				
2	PRODUCTION	19-10-98	C		G		L		Q				
ISS	ECO NUMBER	DATE	D		H		M		R				

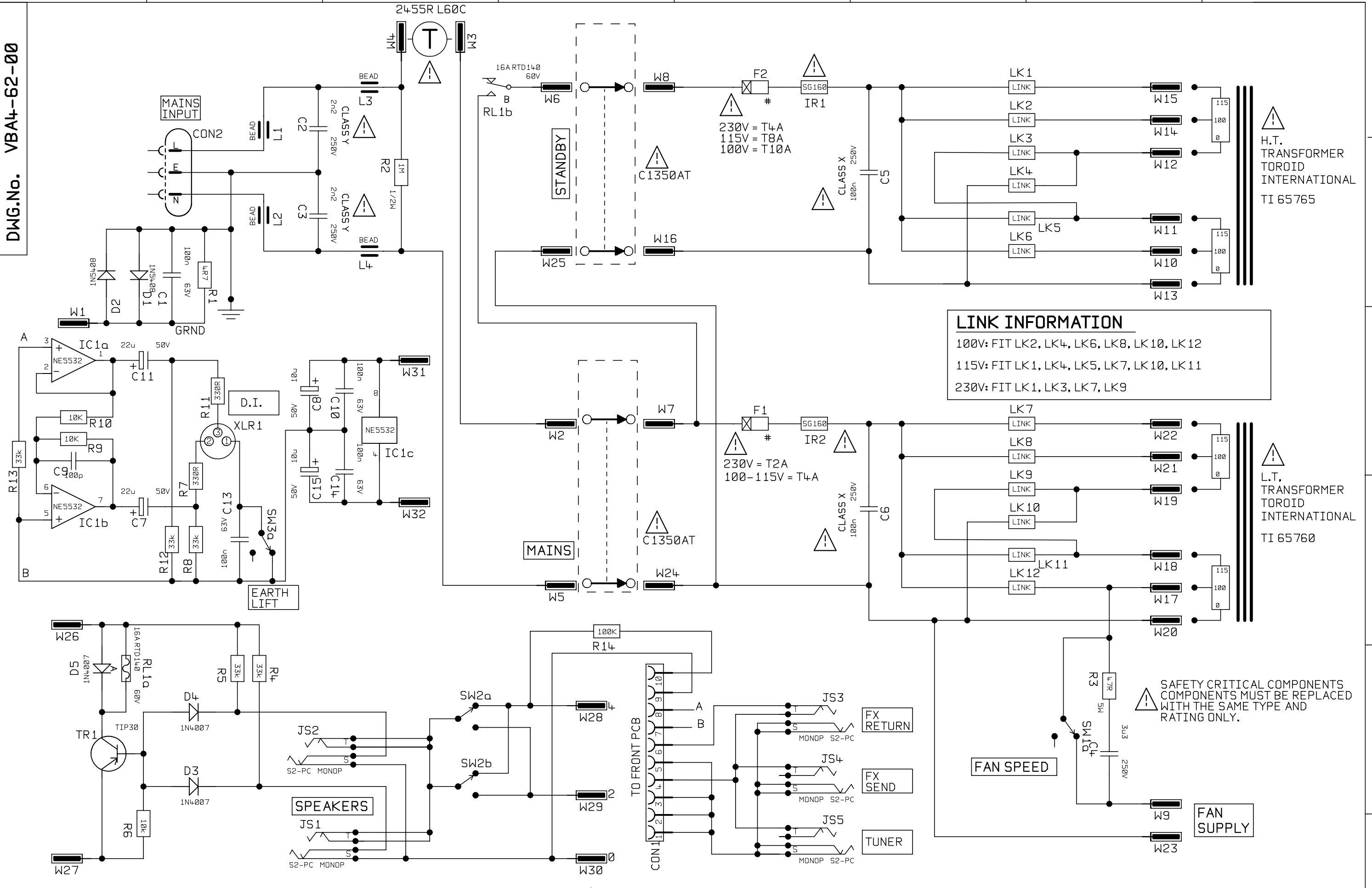
ALL OTHER HOLES =		X = (THROUGH PLATED)	
MATERIAL	MATERIAL THICKNESS	DRAWN	DATE
		A.G.	14-1-98
CHECKED	DATE	APPROVED	DATE

DIMENSIONS IN	
TOLERANCE (UNLESS OTHERWISE STATED)	
MODEL	VBA400



TITLE		POWER SUPPLY PCB	
DWG.No	VBA4-61-00	ISS	4

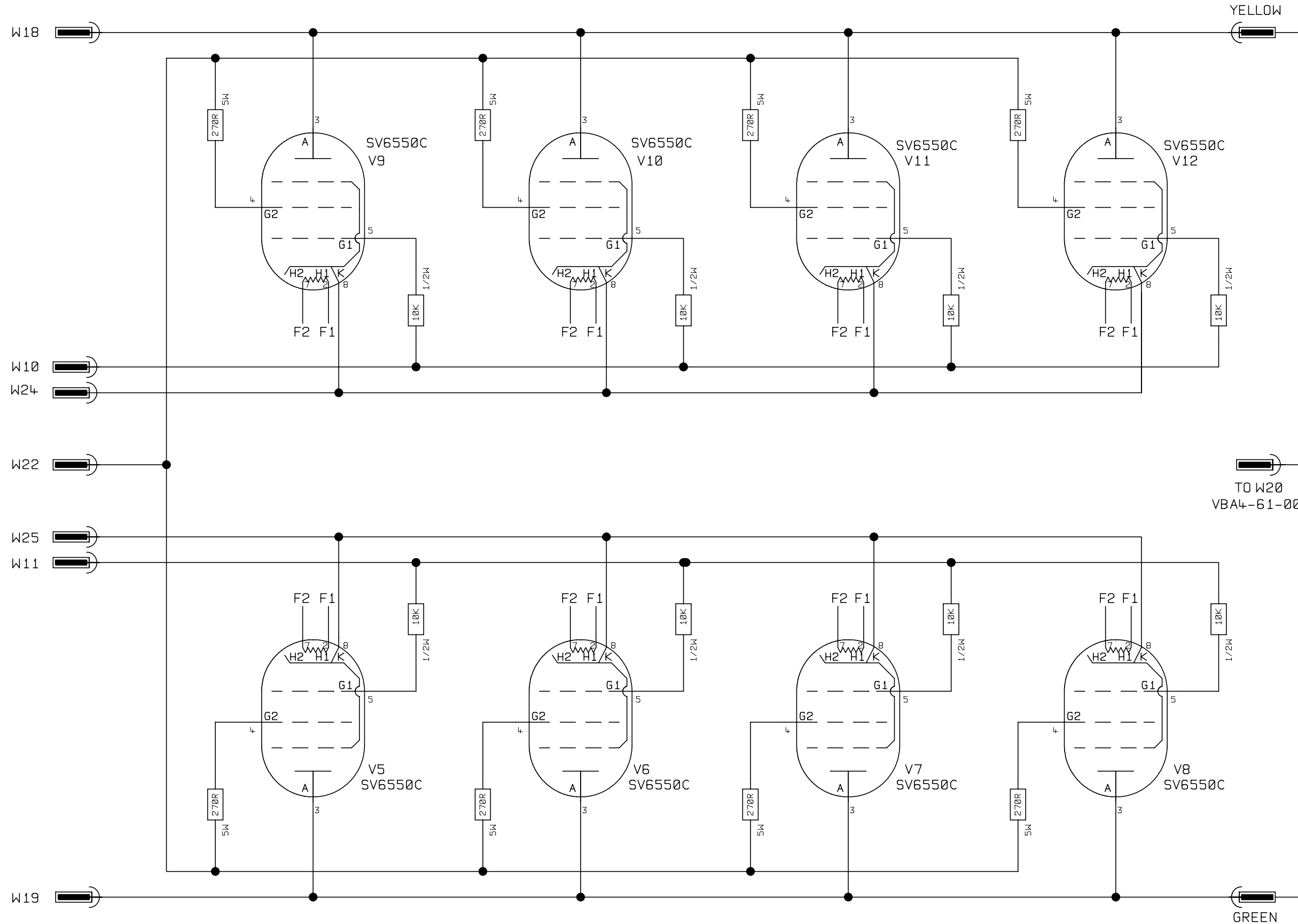
DWG.No. VBA4-62-00



2		PRODUCTION	19-10-98	ALL OTHER HOLES =				X = (THROUGH PLATED)				MATERIAL		DIMENSIONS IN		<p>MARSHALL AMPLIFICATION PLC DENBIGH ROAD, BLETCHLEY, MILTON KEYNES, MK1 1DQ. TEL (01908) 375411 FAX (01908) 376118</p>	TITLE	BACK BOARD												
ISS		ECO NUMBER	DATE	A	B	C	D	E	F	G	H	J	K	L	M		N	P	Q	R	DRAWN	A.G.	DATE	2.12.97	MATERIAL THICKNESS	TOLERANCE (UNLESS OTHERWISE STATED)	DWG.No	VBA4-62-00	ISS	2
																					CHECKED		DATE							
																					APPROVED		DATE							

DWG.No. VBA4-63-02.DGM

ignorelayers 24



W17 F1
W14 F2

WIRES W18, W10, W24, W22, W25, W11, W19, W17 & W14 CONNECT TO
PCB STOCK No. PCBP-00094-01, ARTWORK No. VBA4-61-00.ART

SAFETY CRITICAL COMPONENT
REPLACE ONLY WITH SAME
TYPE AND RATING

OUTPUT
TRANSFORMER
TYPE: 2484-305

ISS		ECO NUMBER	DATE	ALL OTHER HOLES =		X = (THROUGH PLATED)		MATERIAL		DIMENSIONS IN		 MARSHALL AMPLIFICATION PLC DENBIGH ROAD, BLETCHLEY, MILTON KEYNES, MK1 10G. TEL (01908) 375411 FAX (01908) 376118		TITLE		ISS					
A	B	C	D	E	F	G	H	J	K	L	M			N	P	Q	R	VALVE TRAY CIRCUIT DIAGRAM		1	
MATERIAL THICKNESS		DATE		CHECKED		DATE		APPROVED		DATE				MODEL		VBA400		DWG.No		VBA4-63-02.DGM	
DRAWN		DATE		MATERIAL		THICKNESS		DIMENSIONS IN		TOLERANCE (UNLESS OTHERWISE STATED)				MODEL		VBA400		DWG.No		VBA4-63-02.DGM	