

Rick-Tone

MAKE / MODEL
Rick-Tone Type 20 "Heartbreaker Jr."

DESCRIPTION
Amplifier for Electric Guitar
(Redrawn on computer from old hand drawings circa 1980's to present. This rev APR-2006.)

DRAWING TYPE
Electrical Schematic

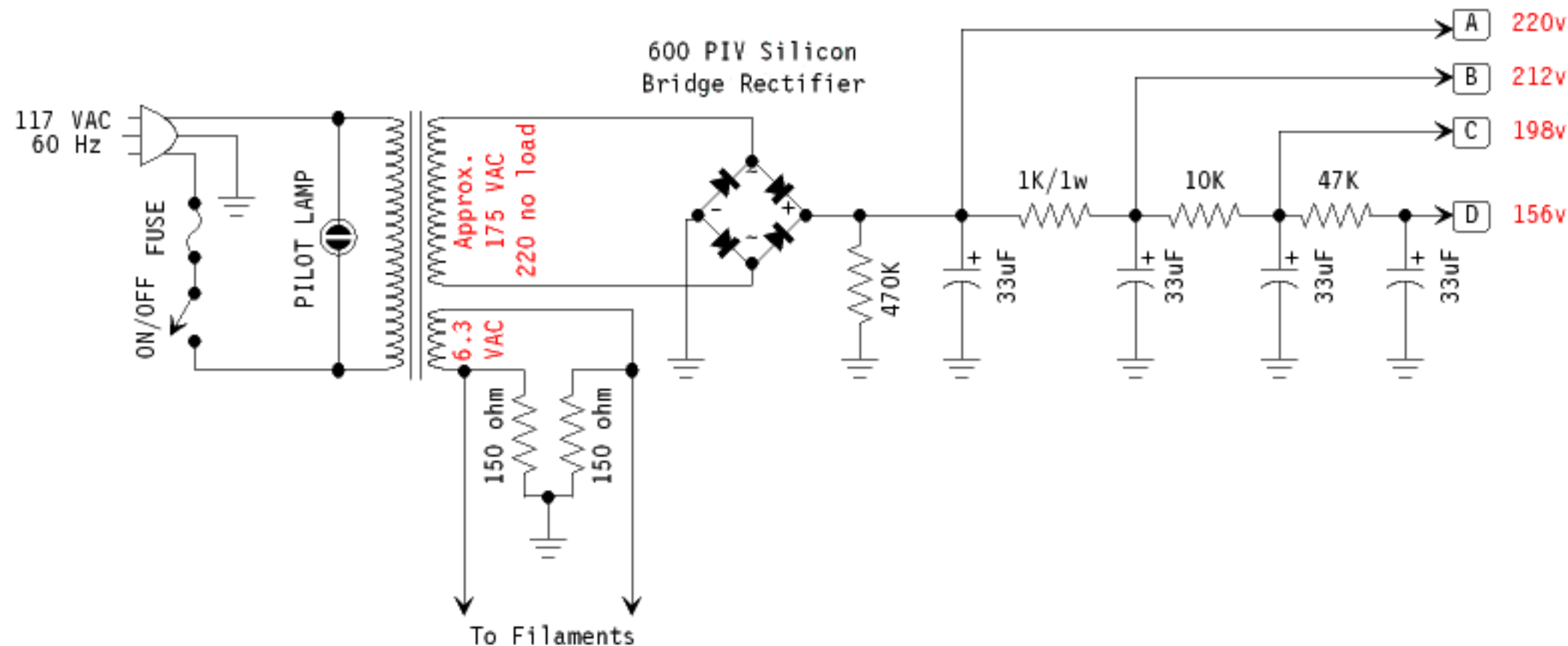
DRAWN BY
Rick Campbell

PLEASE NOTE: Rick-Tone amplifiers underwent many changes and improvements over the time span that they were produced, and most were custom-tailored to individual owner's tastes. While this drawing may serve as a general overview for the circuit of this type/model of amplifier, it is unlikely that the circuit of your individual Rick-Tone amplifier will match this drawing in every detail.

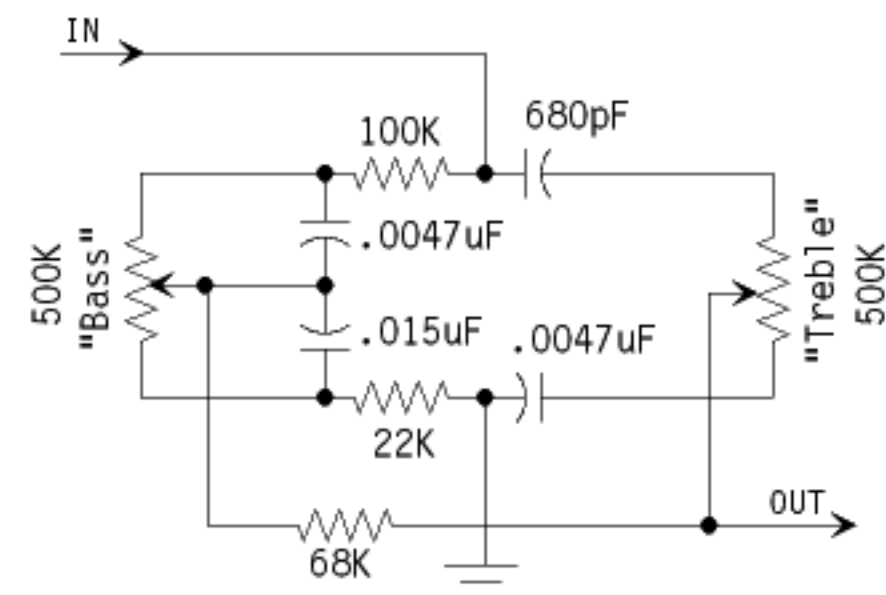
CAUTION! ELECTRICAL SHOCK HAZARD: Vacuum tube circuits can contain dangerous high voltage electricity that can be harmful or even lethal if appropriate safety measures are not observed. Dangerous voltages may even still be present when the unit is turned off and unplugged. Do not attempt to repair, modify, touch, or build such circuits without proper training.

DISCLAIMER: This diagram is provided for informational/educational use only. Any use is AT YOUR OWN RISK. The authors and distributors of this diagram disclaim any and all liability for consequences of your use of this drawing and its contents.

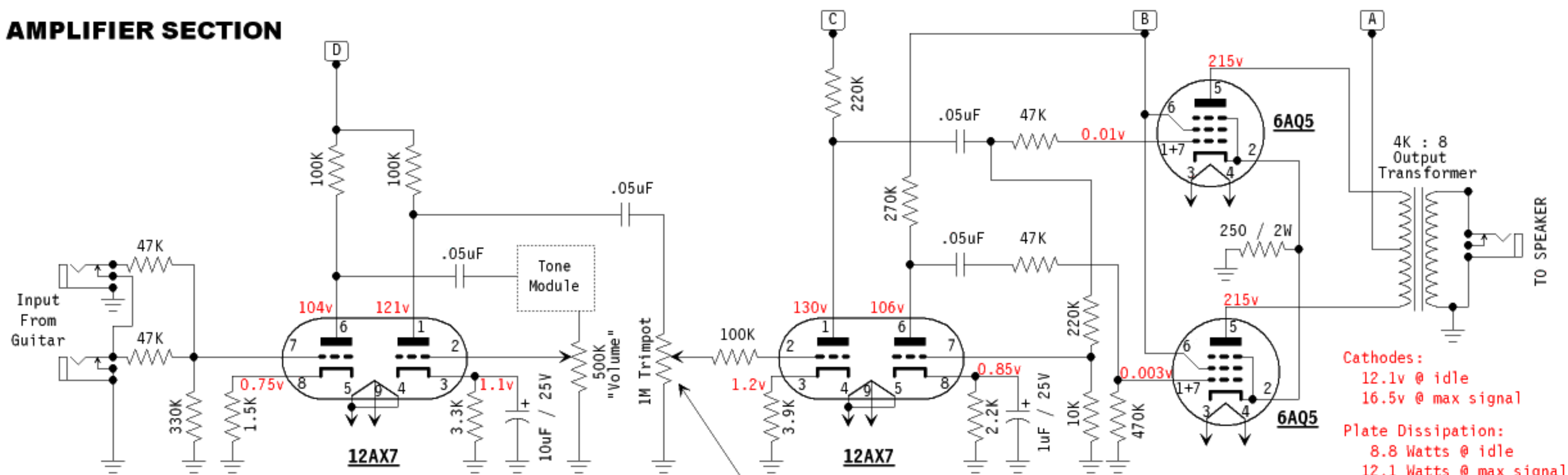
POWER SUPPLY SECTION



TONE MODULE



AMPLIFIER SECTION



All resistors are 1/4 watt unless otherwise marked.
All capacitors are 400v unless otherwise marked.

This trimpot is set, according to the owner's playing style, at somewhere between 50% (blues players) to 90% (hard rockers) of dial rotation. Some units used a regular panel-mounted "gain" potentiometer here instead, and some used fixed resistors instead.