

5. ALL TUBES ARE 12AX7A/ 7028

4. □ REF PCB CALLOUTS.

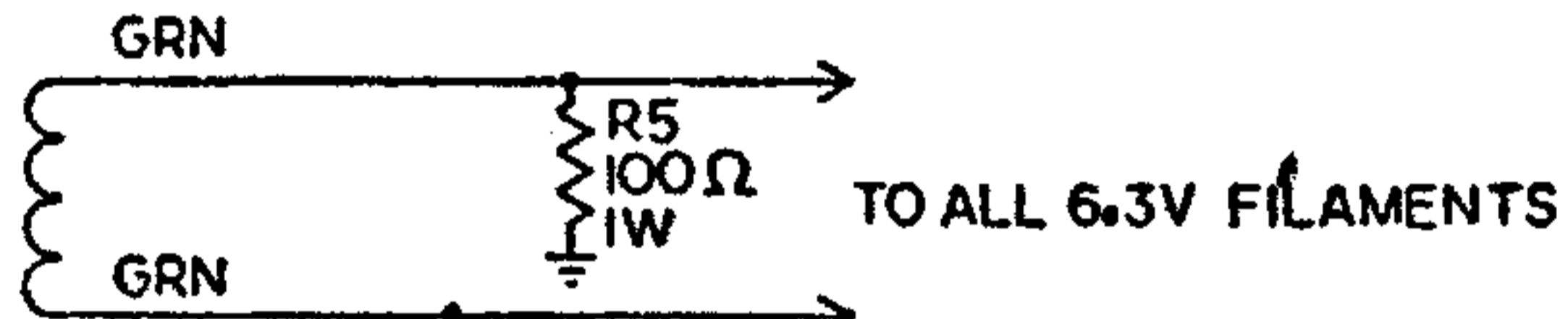
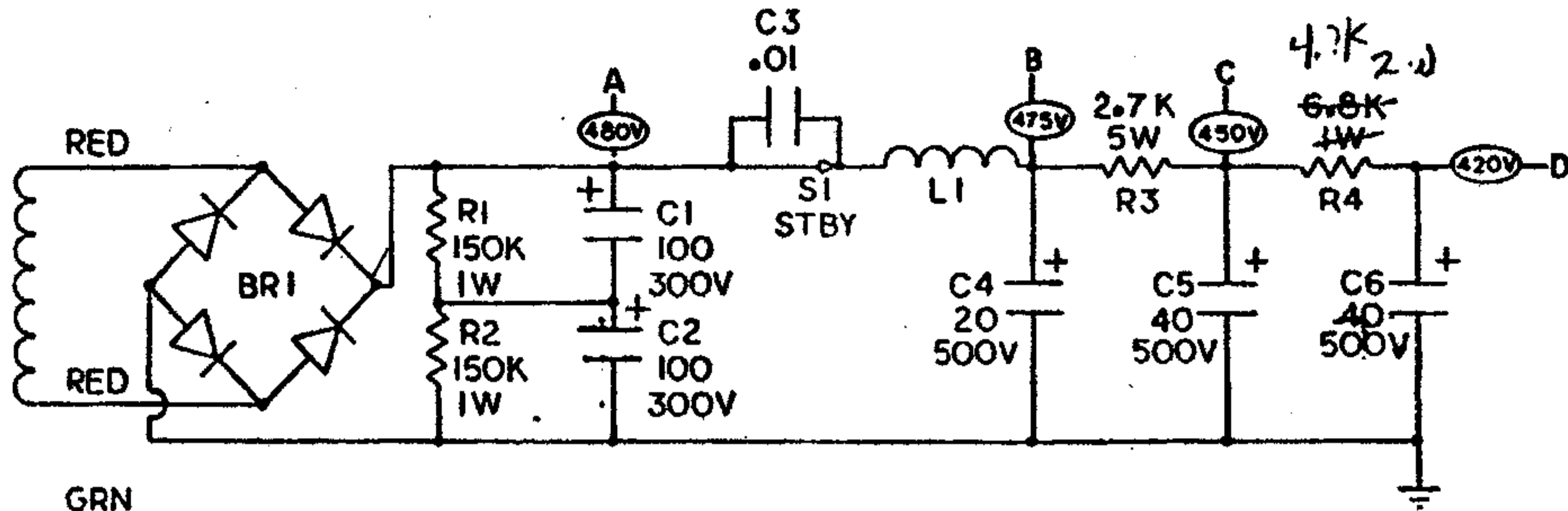
3. ○ REF. PWR SUP SCHEM. (1819).

2. ALL RESISTORS 1/2 WATT UNLESS OTHERWISE NOTED

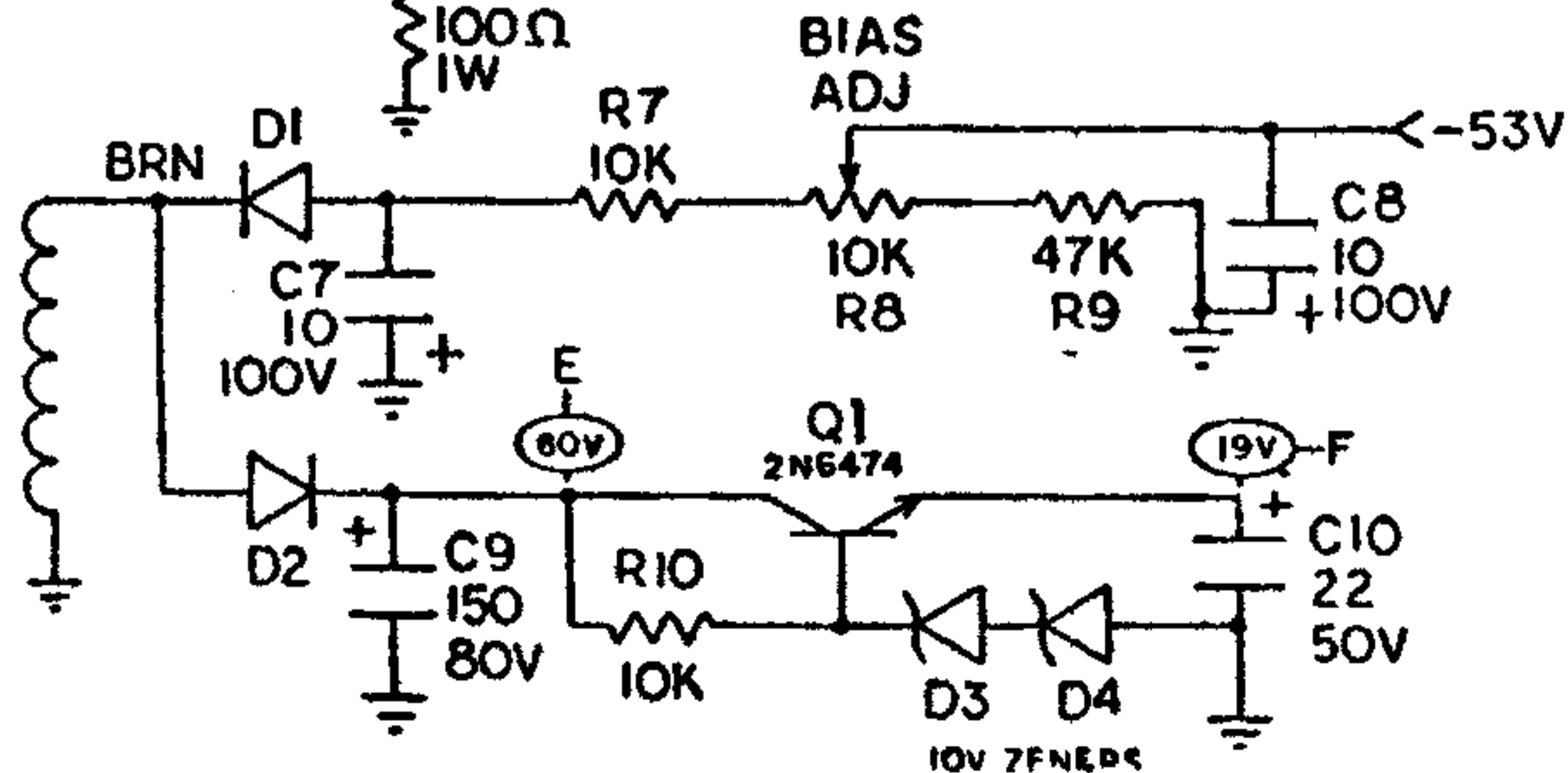
1. ALL CAPACITORS IN μF UNLESS OTHERWISE NOTED.

NOTES:

BY S.M. BAC	DATE 11-7-61	acoustic	
ENCL. NO.		TITLE PREAMP SCHEMATIC MODEL G100T	
PROPRIETARY INFORMATION		QTY	DRWING NO.
		1	1820
		DATE	PART NO.
			1820
		DO NOT SCALE THIS PRINT	



- NOTES:
1. ALL CAPACITORS IN MFD.
 2. ○ DC VOLTAGE FROM GND., NO SIG. APPLIED.
 3. ALL RESISTORS 1/2W UNLESS NOTED OTHERWISE.



97 96 95 94 93 92 91 90 89 88 87 86 85 84 83 82 81 80 79 78 77 76 75 74 73 72 71 70 69 68 67 66 65 64 63 62 61 60 59 58 57 56 55 54 53 52 51 50 49 48 47 46 45 44 43 42 41 40 39 38 37 36 35 34 33 32 31 30 29 28 27 26 25 24 23 22 21 20 19 18 17 16 15 14 13 12 11 10 9 8 7 6 5 4 3 2 1	Acoustic Control Corp Van Nuys, California 91410 TITLE POWER SUPPLY SCHEMATIC MODELS Q907 & Q1007 DATE DRAWN BY 1819 CHECKED BY 1819
---	---