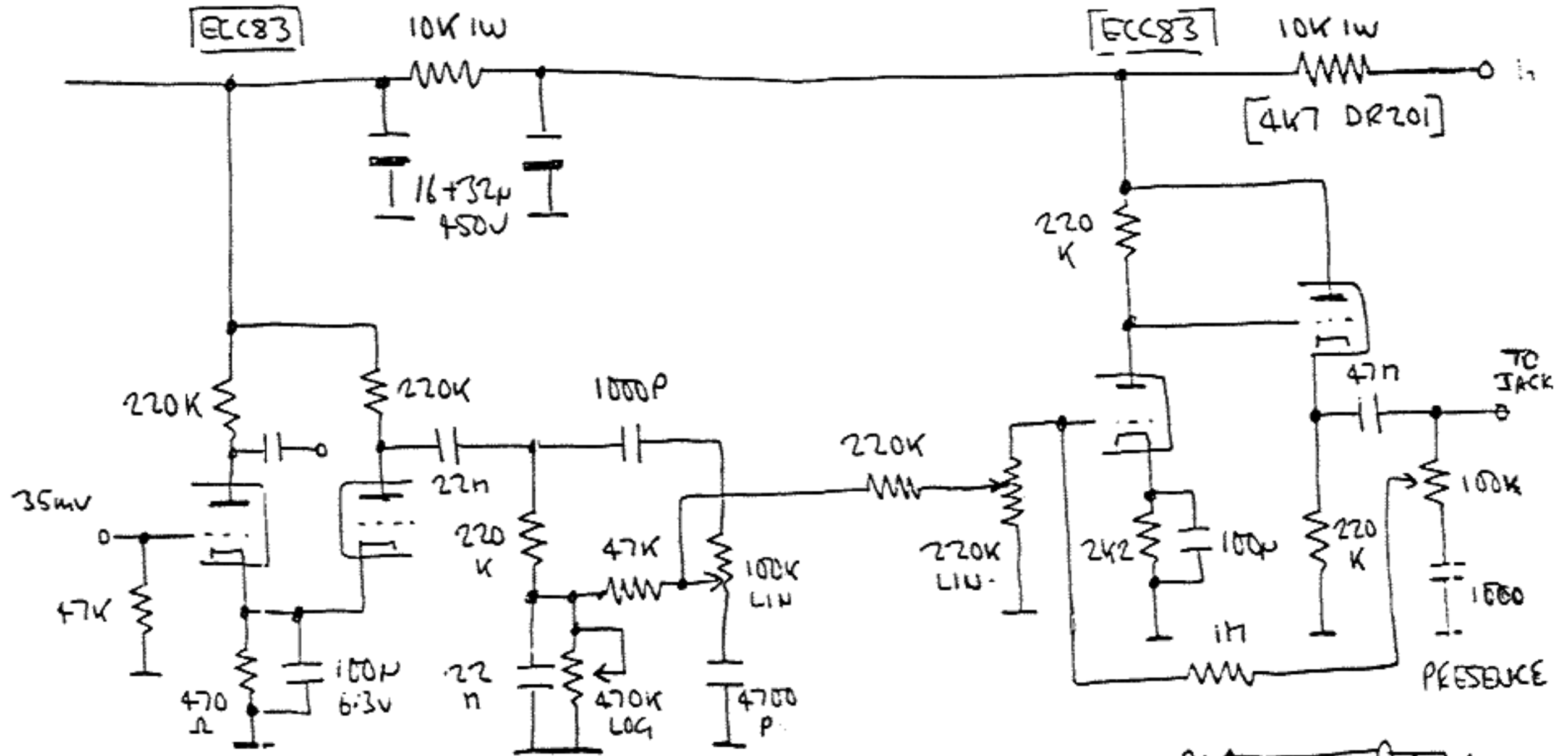


PRE-AMP PA AMPS  
 DR112  
 DR203

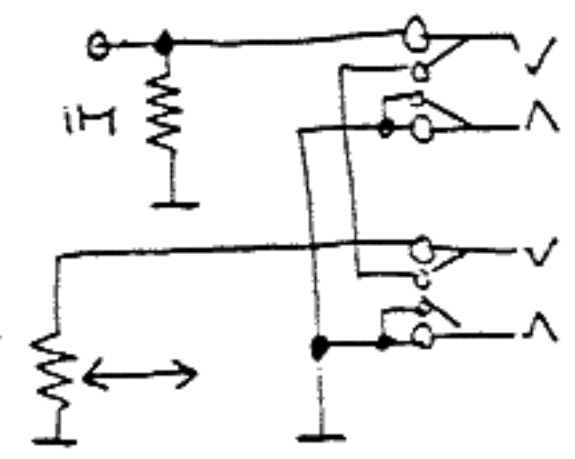


STAGE X3  
 FOR SIX  
 CHANNELS

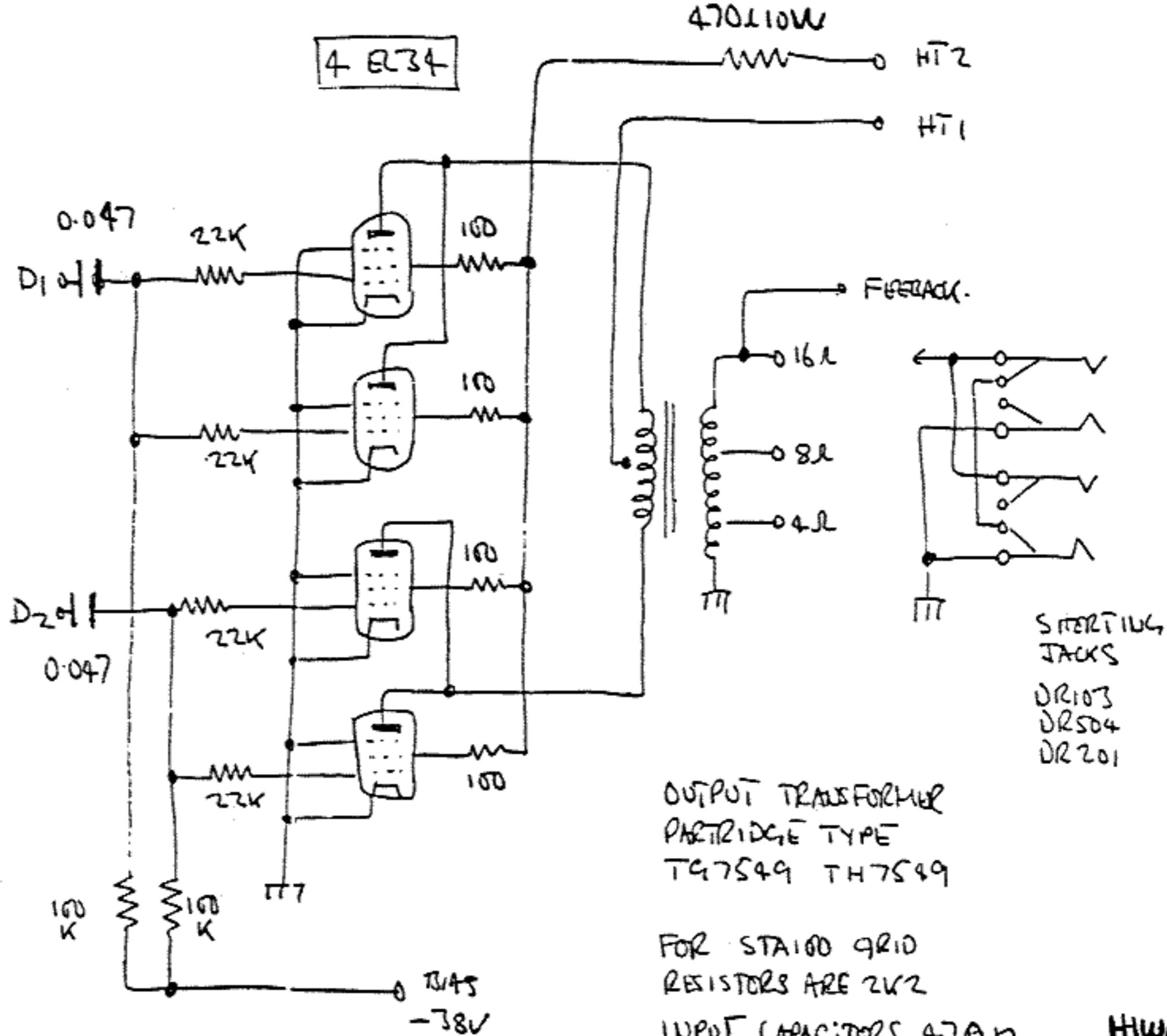
TONE X6

VOLUME X6  
 IN PARALLEL

[ TO AP. AMPS  
 DRIVE CCT  
 V3. ] MASTER  
 VOLUME  
 100K LIN



HIWA II  
 JULY 1979  
 DR.



4 EL34

470VA

HT2

HT1

0.047

22K

100

D1

22K

100

FEEDBACK

0.16A

0.08A

0.04A

STARTING JACKS

DR103  
DR504  
DR201

D2

0.047

22K

100

22K

100

OUTPUT TRANSFORMER  
PARTRIDGE TYPE  
T97549 TH7549

FOR STA100 GRID  
RESISTORS ARE 22K  
INPUT CAPACITORS 470n

100K

100K

BIAS  
-38V

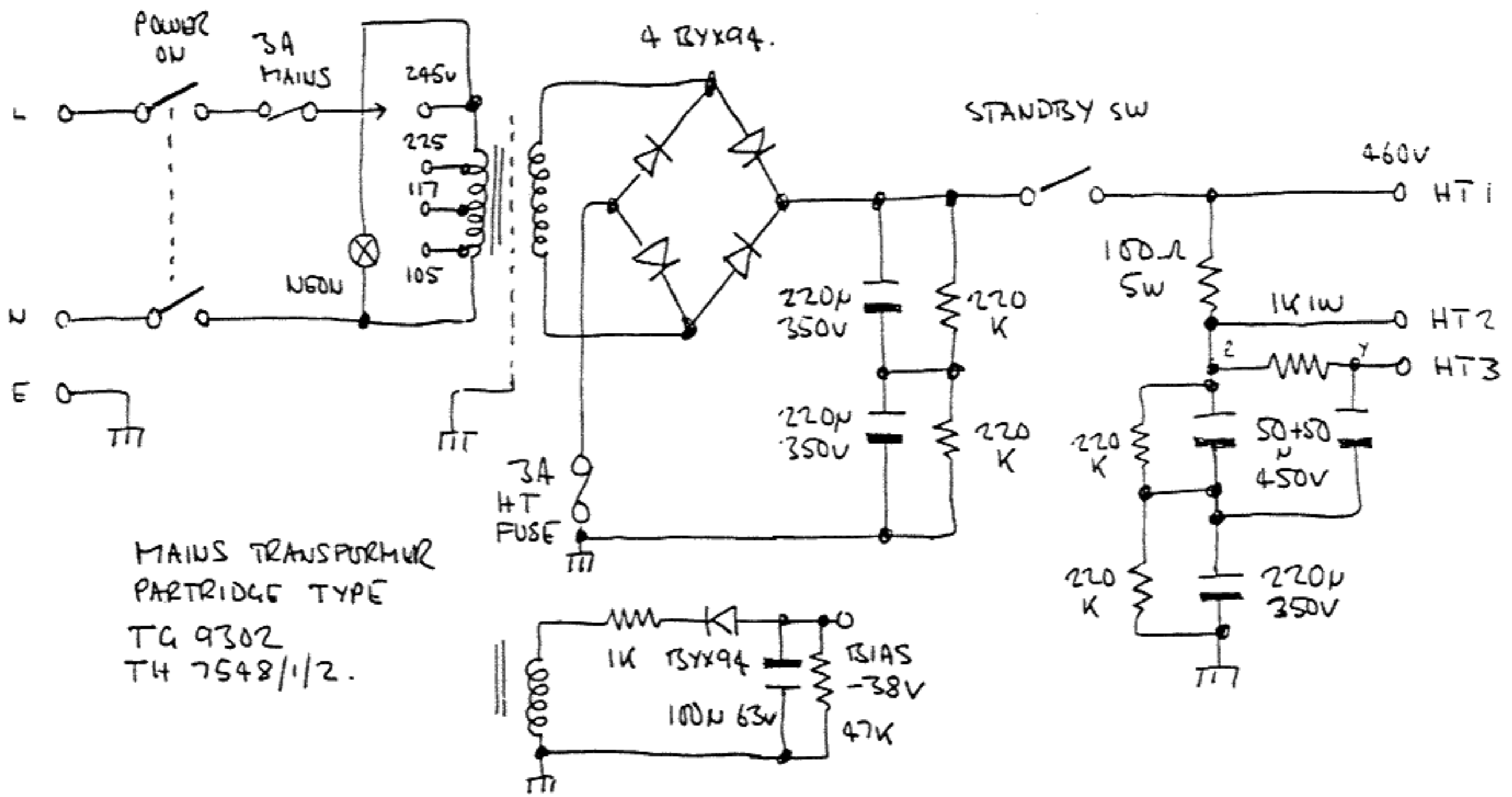
HIWATT  
JULY 79  
DR.

HIWATT  
OUTPUT STAGE

DR103  
DR112  
SA112FL  
SA115FL  
STA100 SLAVE

FUSE TYPE  
SLO-13LO 5A  
ON 105-117V

POWER SUPPLY  
DR103 SA112 FL  
DR112 SA115 FL  
STA 100



MAINS TRANSFORMER  
PARTRIDGE TYPE  
TG 9302  
TH 7548/1/2.