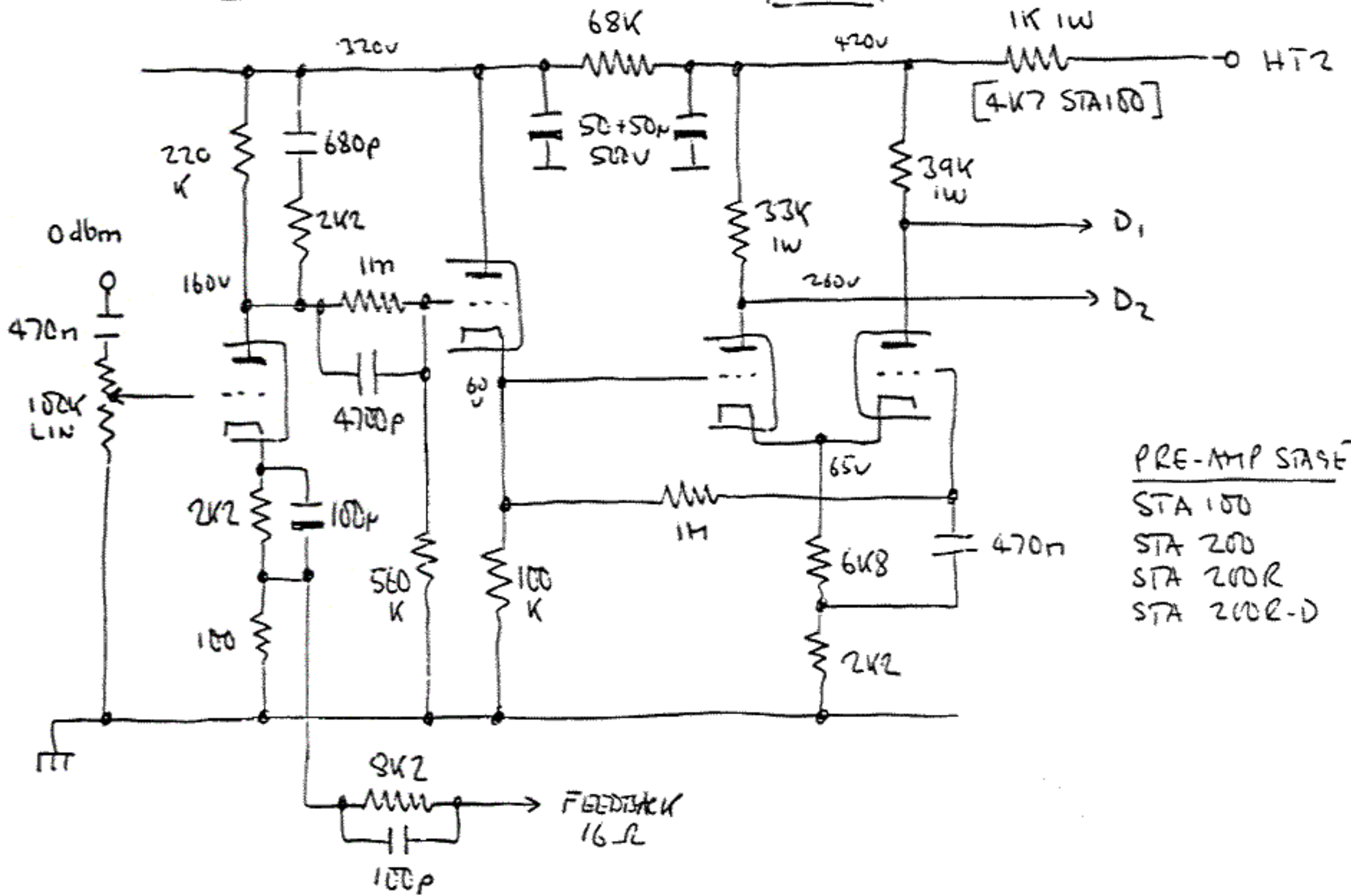


ECC83

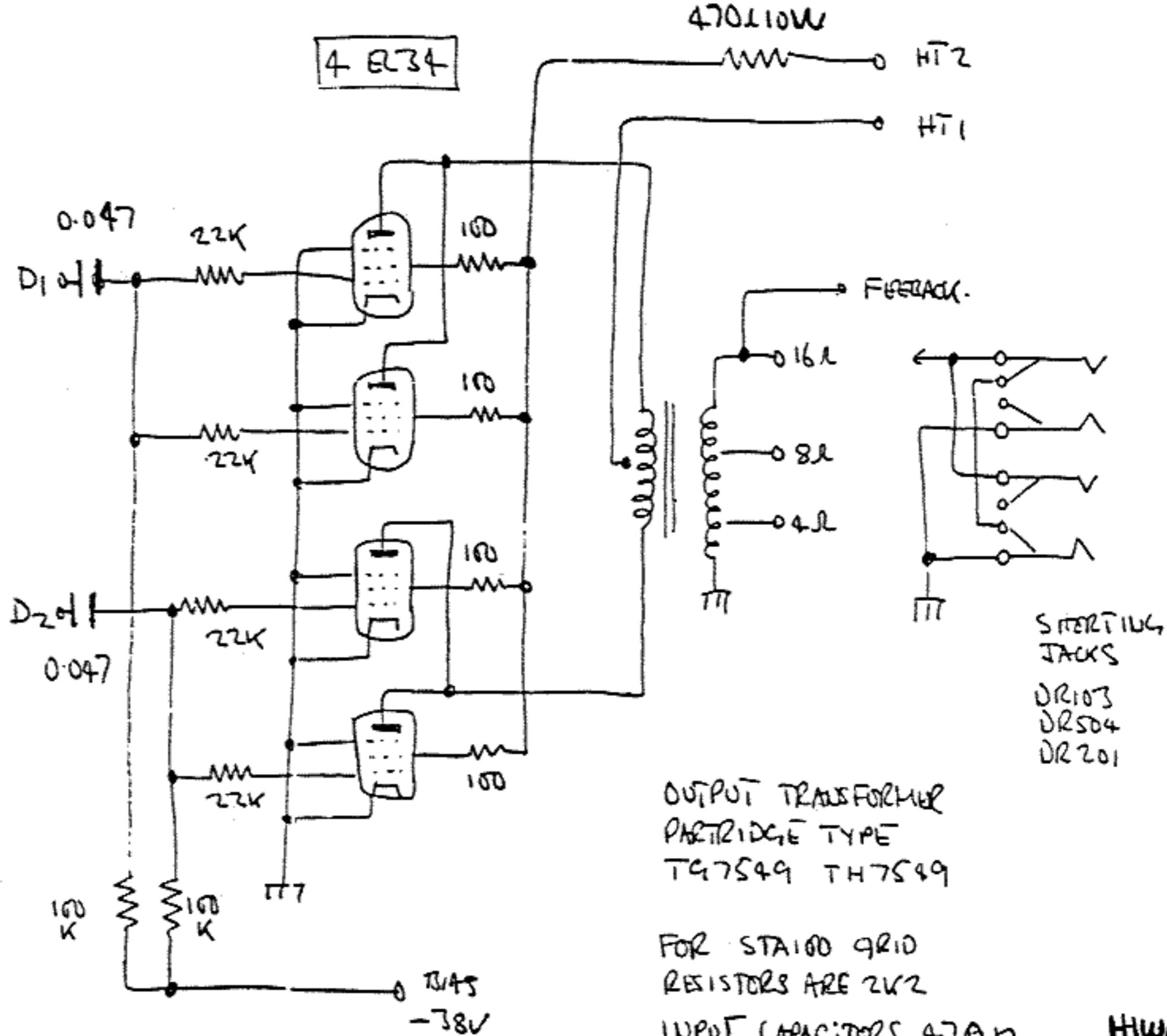
ECC81

(8)



PRE-AMP STAGE
 STA 100
 STA 200
 STA 200R
 STA 200E-D

HWATT
 JULY 79 DR



4 EL34

470VA

HT2

HT1

0.047

22K

100

D1

22K

100

FEEDBACK

0.16

0.08

0.04

D2

0.047

22K

100

100

SWITCHING JACKS
DR103
DR504
DR201

HIWATT

OUTPUT STAGE

DR103

DR112

SA112 FL

SA115 FL

STA100 SLAVE

100K

22K

BIAS
-38V

OUTPUT TRANSFORMER
PARTRIDGE TYPE
TQ7549 TH7549

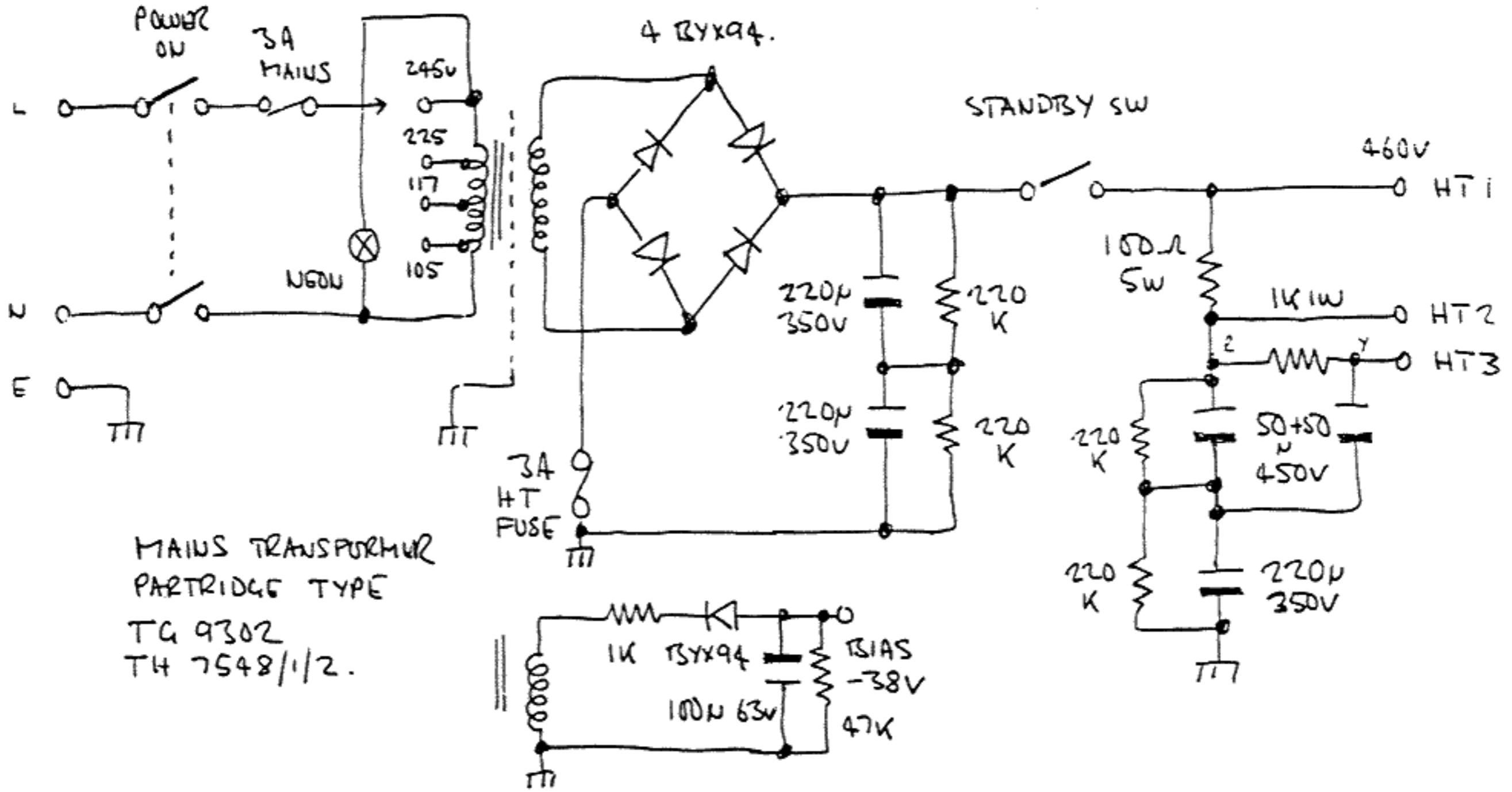
FOR STA100 GRID
RESISTORS ARE 22K
INPUT CAPACITORS 470n

HIWATT
JULY 79
DR.

FUSE TYPE
SLO-13LO 5A
ON 105-117V

POWER SUPPLY

DR103 SA112 FL
DR112 SA115 FL
STA 100



MAINS TRANSFORMER
PARTRIDGE TYPE
TG 9302
TH 7548/1/2.

3A
HT
FUSE

4 BYX94.

STANDBY SW

460V

HT 1

HT 2

HT 3

38V

47K