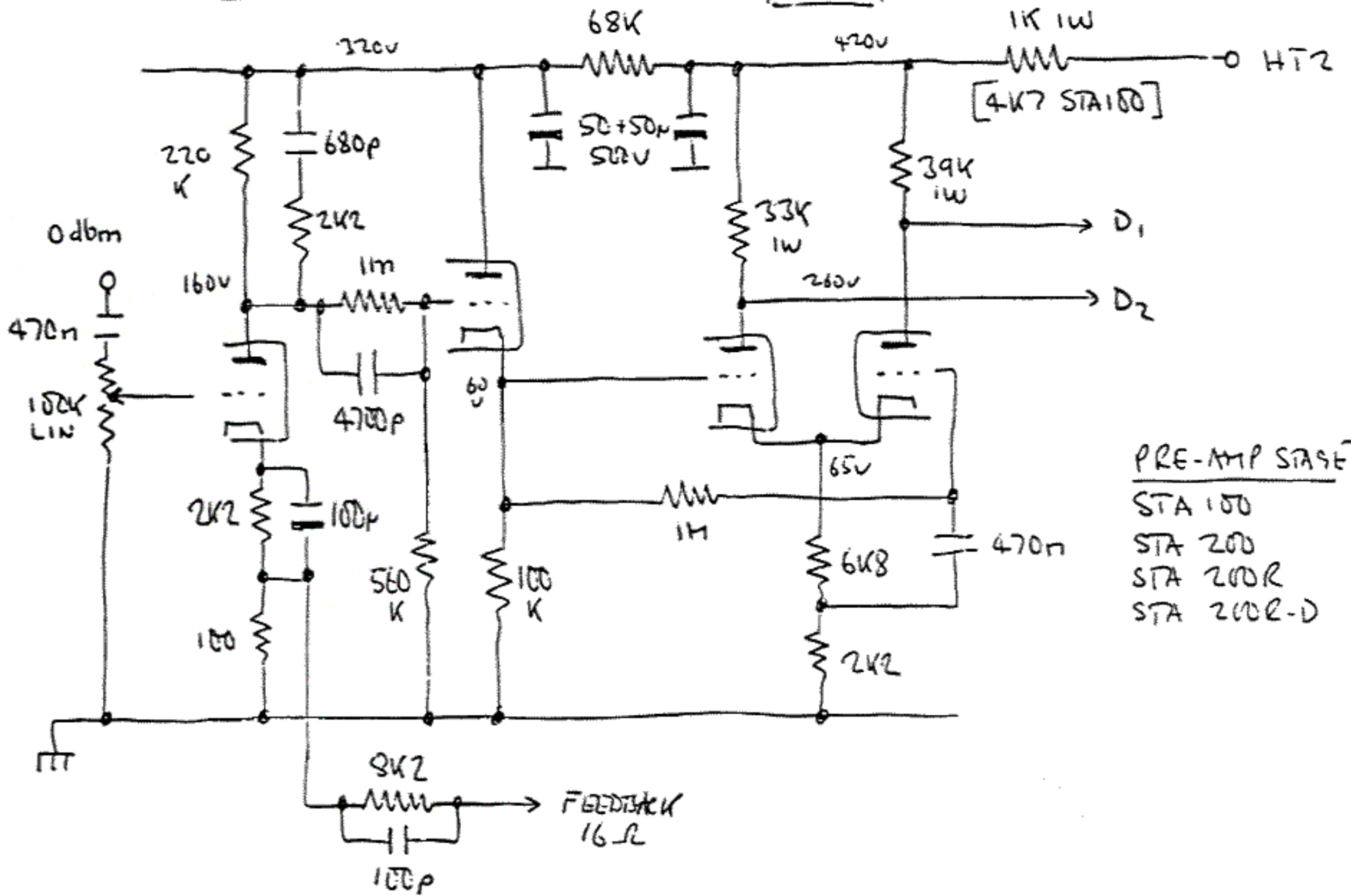


ECC83

ECC81

(8)



PRE-AMP STAGE
 STA 100
 STA 200
 STA 200R
 STA 200E-D

HWATT
 JULY 79 DR

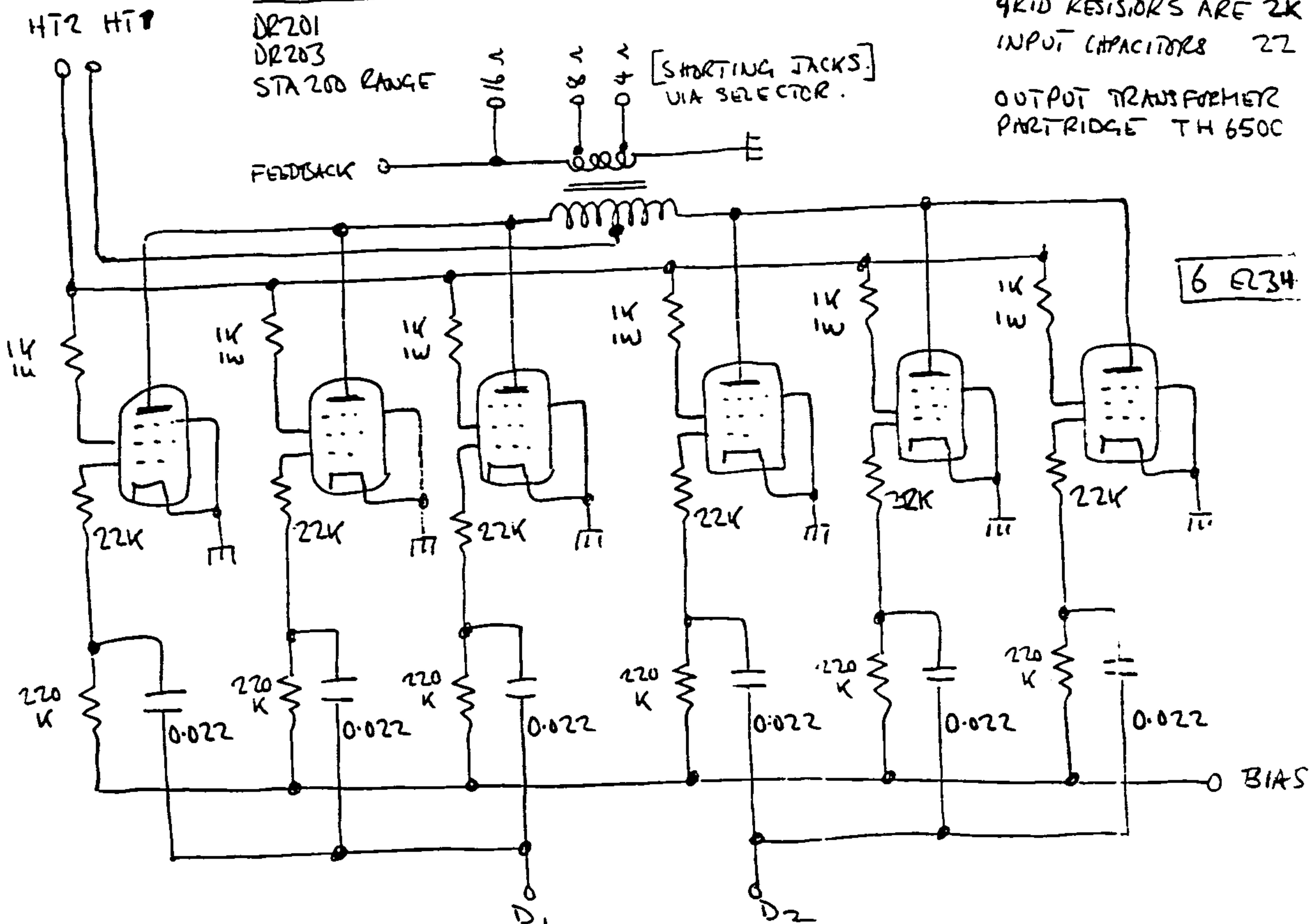
OUTPUT STAGE

DR201
DR203
STA 200 RANGE

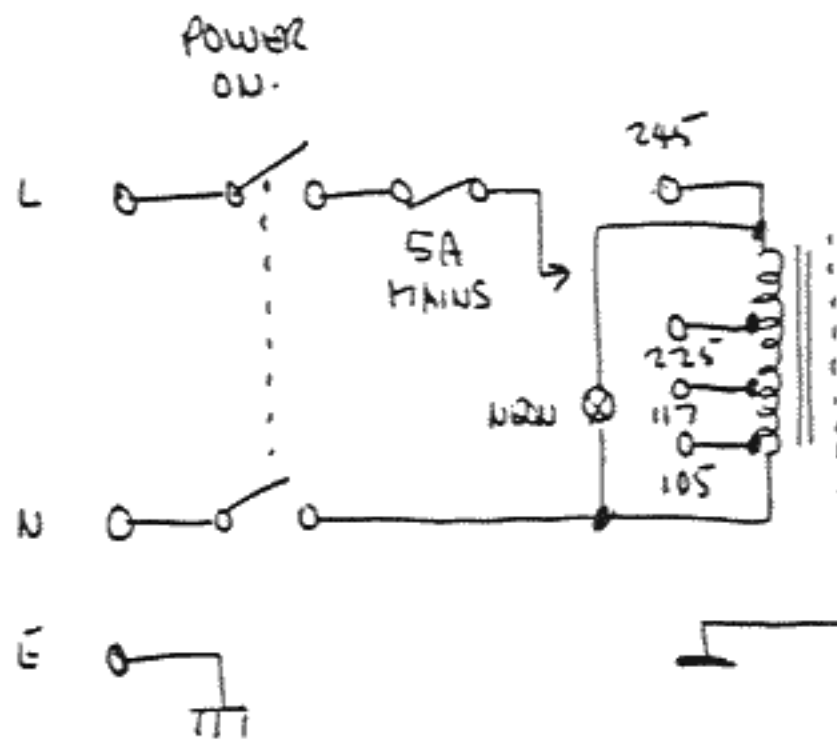
[SHORTING JACKS]
VIA SELECTOR.

FOR STA 200 RANGE
GRID RESISTORS ARE 2K
INPUT CAPACITORS 22

OUTPUT TRANSFORMER
PARTRIDGE TH 650C

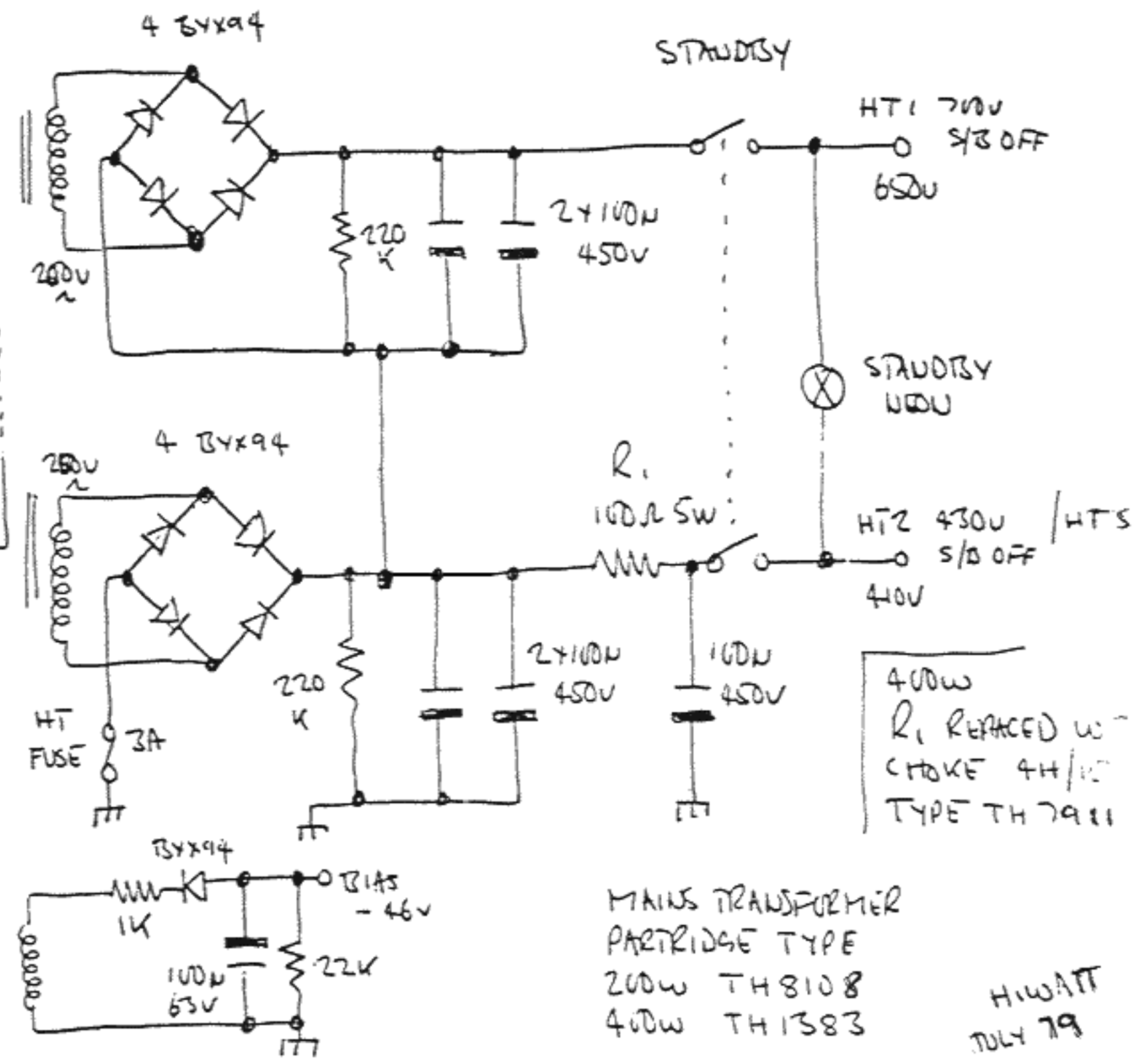


FUSE TYPE
SLO-BLO 0U
105-117V



POWER SUPPLY

- DR 201 STA 200
- DR 405 STA 200 R
- DR 203 STA 200 R-D
- STA 400



MAINS TRANSFORMER
PARTRIDGE TYPE
200W TH 8108
400W TH 1383

HIWATT
JULY 79