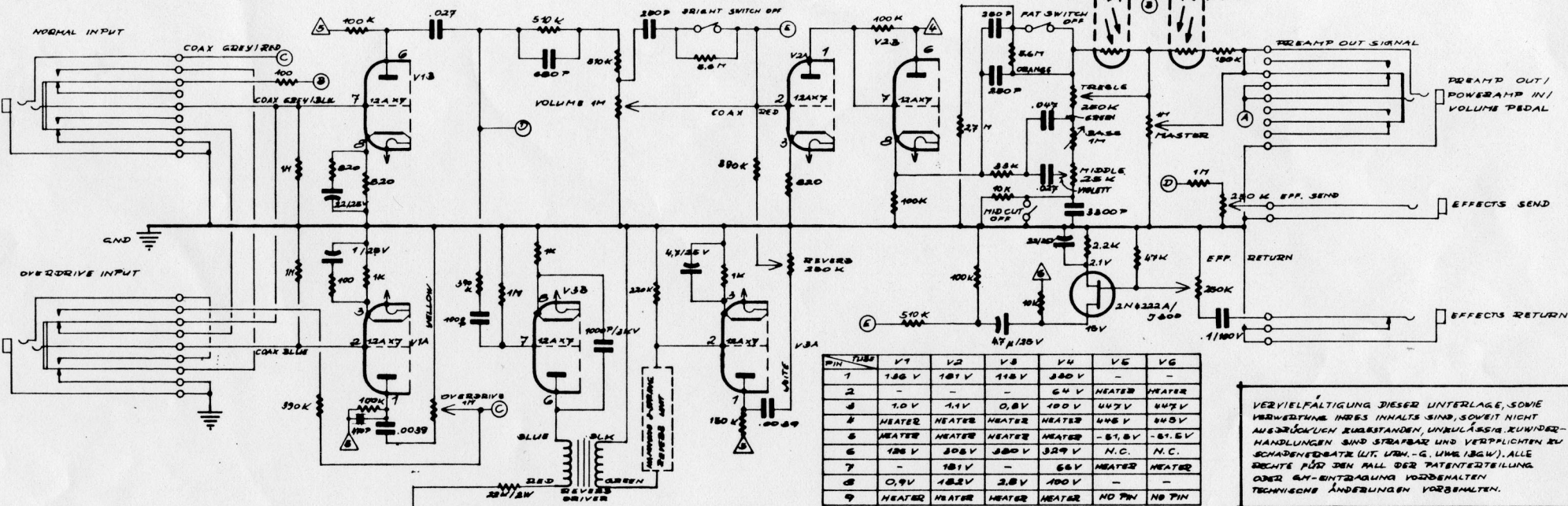


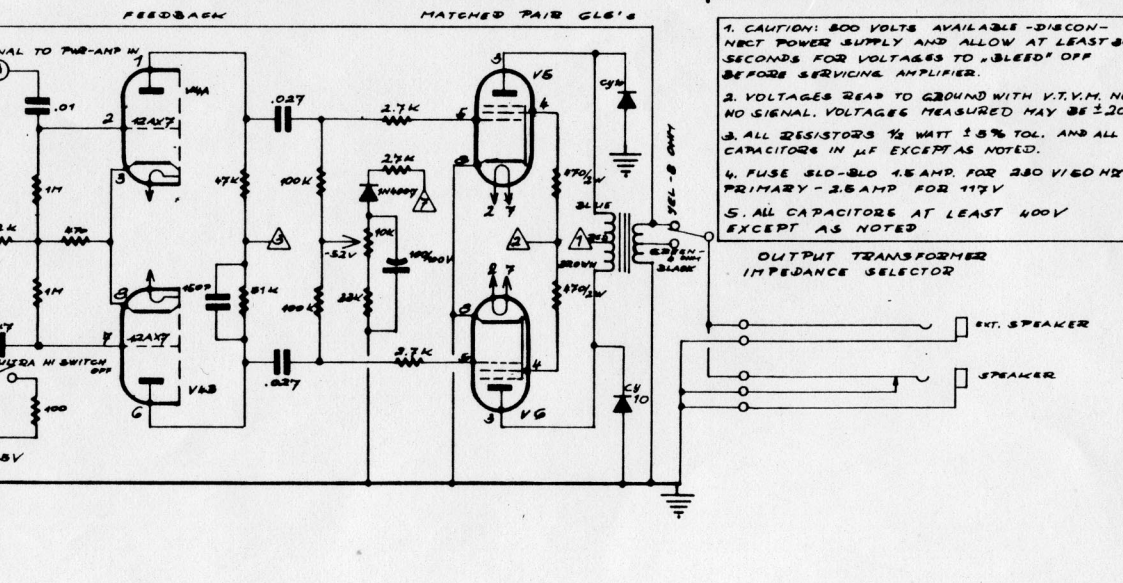
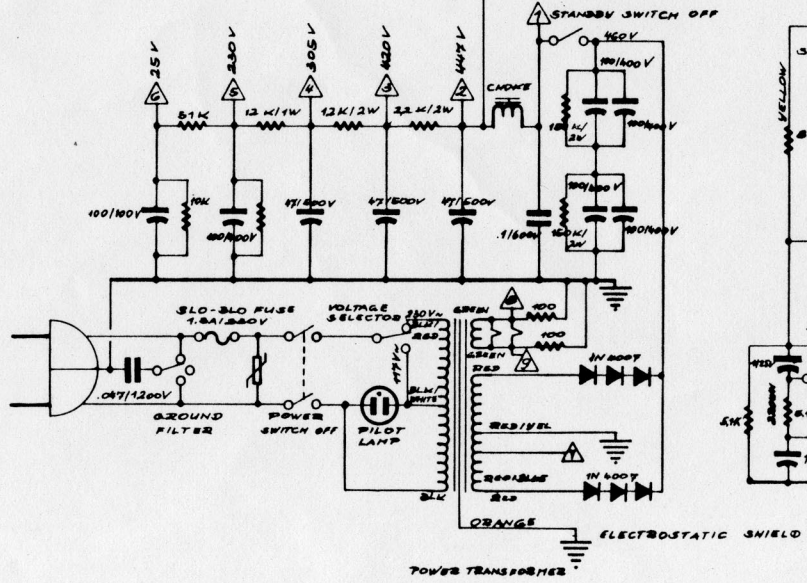
# KITTY HAWK JUNIOR SERIES I

© ROY 3/25/1983



| PIN | TYPE   | V1     | V2     | V3     | V4     | V5      | V6      |
|-----|--------|--------|--------|--------|--------|---------|---------|
| 1   | HEATER | 1.80 V | 1.81 V | 1.82 V | 3.80 V | -       | -       |
| 2   | HEATER | -      | -      | -      | 6.4 V  | HEATER  | HEATER  |
| 3   | HEATER | 1.0 V  | 1.1 V  | 0.8 V  | 1.0 V  | 4.4 V   | 4.4 V   |
| 4   | HEATER | HEATER | HEATER | HEATER | HEATER | 4.4 V   | 4.4 V   |
| 5   | HEATER | HEATER | HEATER | HEATER | HEATER | -51.8 V | -51.8 V |
| 6   | 1.80 V | 3.80 V | 3.80 V | 3.80 V | N.C.   | N.C.    | N.C.    |
| 7   | -      | 1.81 V | -      | 6.4 V  | HEATER | HEATER  | -       |
| 8   | 0.9 V  | 1.82 V | 2.8 V  | 1.0 V  | -      | -       | -       |
| 9   | HEATER | HEATER | HEATER | HEATER | NO PIN | NO PIN  | -       |

VERVIELFÄLTIGUNG DIESER UNTERLAGE, SOWIE VERWERTUNG IHRES INHALTS SIND, SOWEIT NICHT AUSDRÜCKLICH ANDEREN UMSCHLÄGEN, VERHANDLUNGEN SIND STRAFBAR UND VERPFLICHTEN ZU SCHADENSERSTATUNG (N.T. VERM. G. UMS. VERG.). ALLE RECHTE FÜR DEN FALL DER PATENTSTREITUNG ODER AN-ENTZUGUNG VORZUBEHALTEN. TECHNISCHE ÄNDERUNGEN VORZUBEHALTEN.



1. CAUTION: 800 VOLTS AVAILABLE - DISCONNECT POWER SUPPLY AND ALLOW AT LEAST 30 SECONDS FOR VOLTAGES TO "BLEED" OFF BEFORE SERVICING AMPLIFIER.
2. VOLTAGES READ TO GROUND WITH V.T.V.M. NO NO SIGNAL. VOLTAGES MEASURED MAY BE ±20%.
3. ALL RESISTORS 1/2 WATT ±5% TOL. AND ALL CAPACITORS IN µF EXCEPT AS NOTED.
4. FUSE SLD-BLD 1.5 AMP. FOR 230 V/110 V PRIMARY - 2.5 AMP FOR 117 V
5. ALL CAPACITORS AT LEAST 400V EXCEPT AS NOTED

OUTPUT TRANSFORMER IMPEDANCE SELECTOR