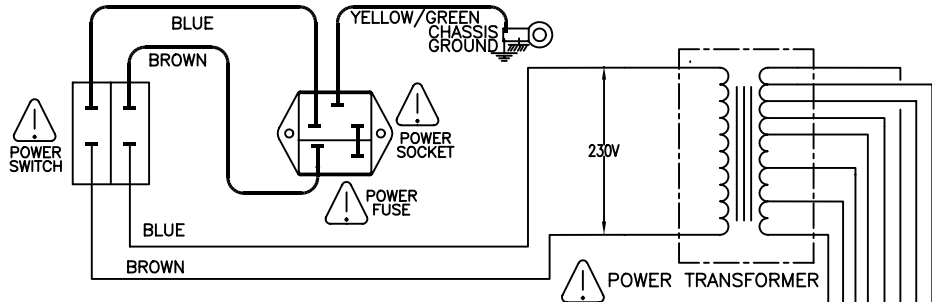
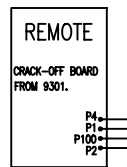
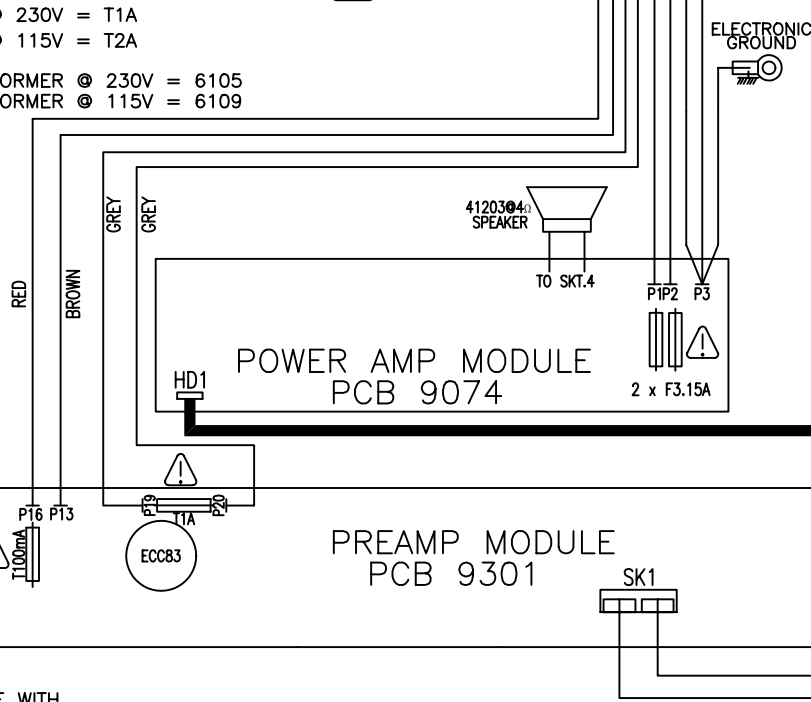
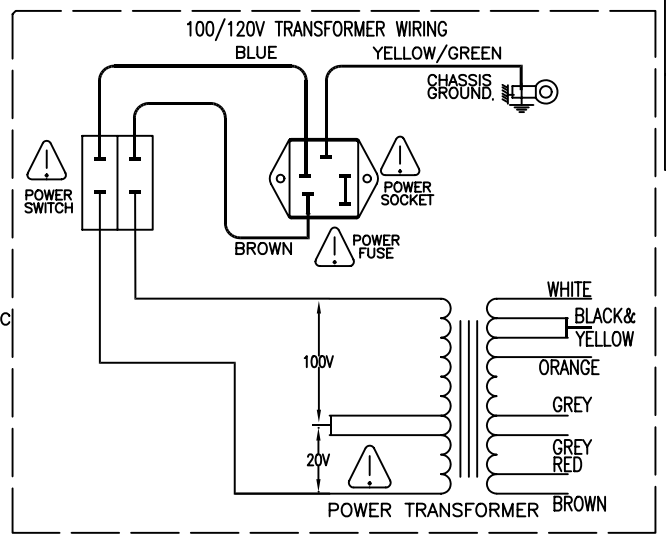


Laney

Service Diagrams

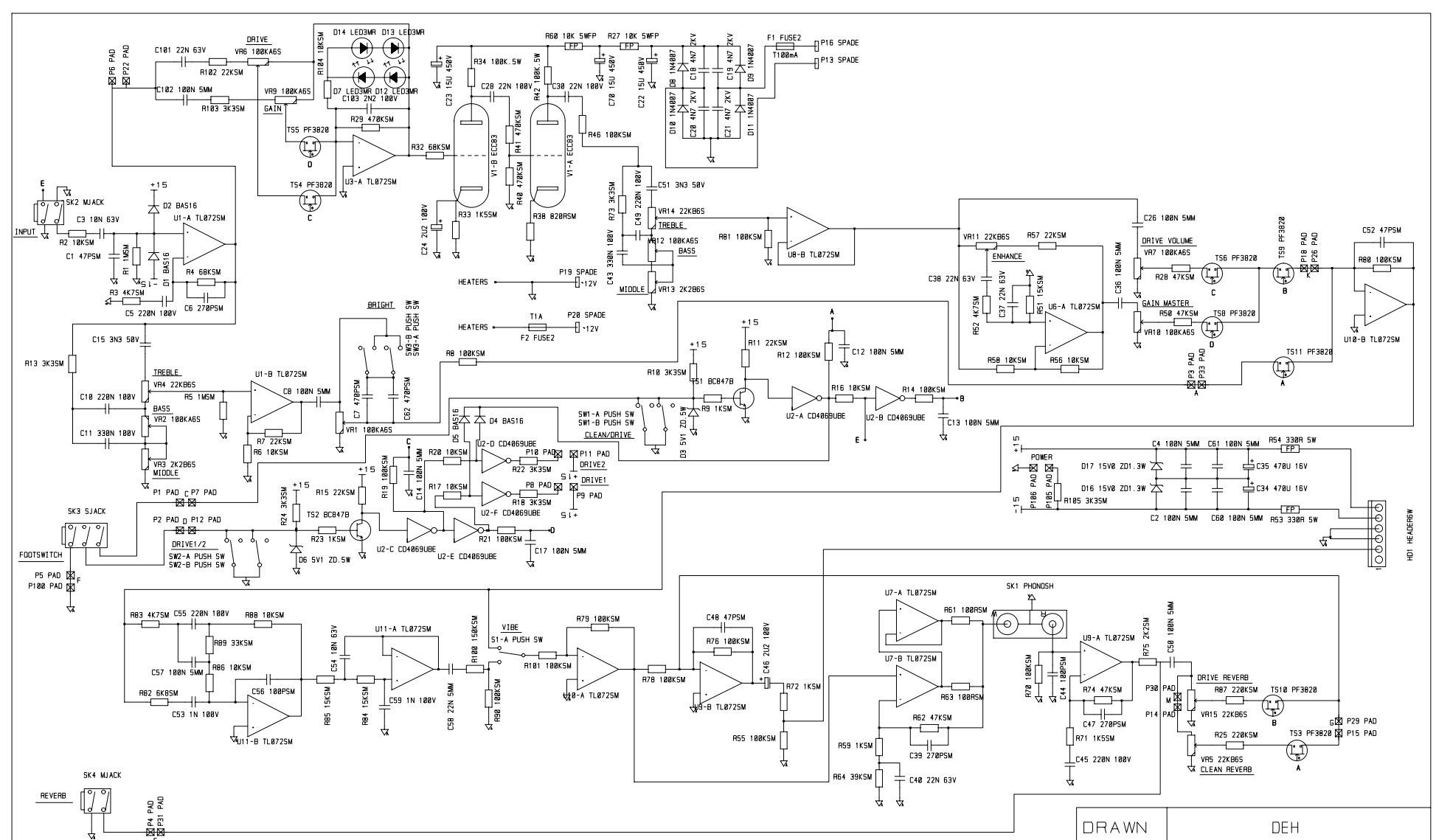


- ! POWER FUSE @ 230V = T1A
- ! POWER FUSE @ 115V = T2A
- ! POWER TRANSFORMER @ 230V = 6105
- ! POWER TRANSFORMER @ 115V = 6109



! = ONLY REPLACE WITH SAME TYPE AND RATING

ISSUE	DESCRIPTION	APPD.	DATE	TITLE	DRAWN	TRACED	CHECKED	APPROVED	DATE	
				<h1 style="margin: 0;">BLT</h1> <p style="margin: 0;">Industries Ltd.</p>	TF200 SERVICE	S.L.			29/06/98	
					DIAGRAM	DRAWING No.		2835		
					PART No					



HOT1 HEADER#W

DRAWN	DEH
DATE	11/06/98
TITLE	TUBE FUSION TF200
DRW. NO.	9301_3

ISSUE	BOARD ISSUE 2 TO 3
TYPE	BRIGHT FREQUENCY ADJUSTED SEE CHANGE NOTE 158 26/06/98

