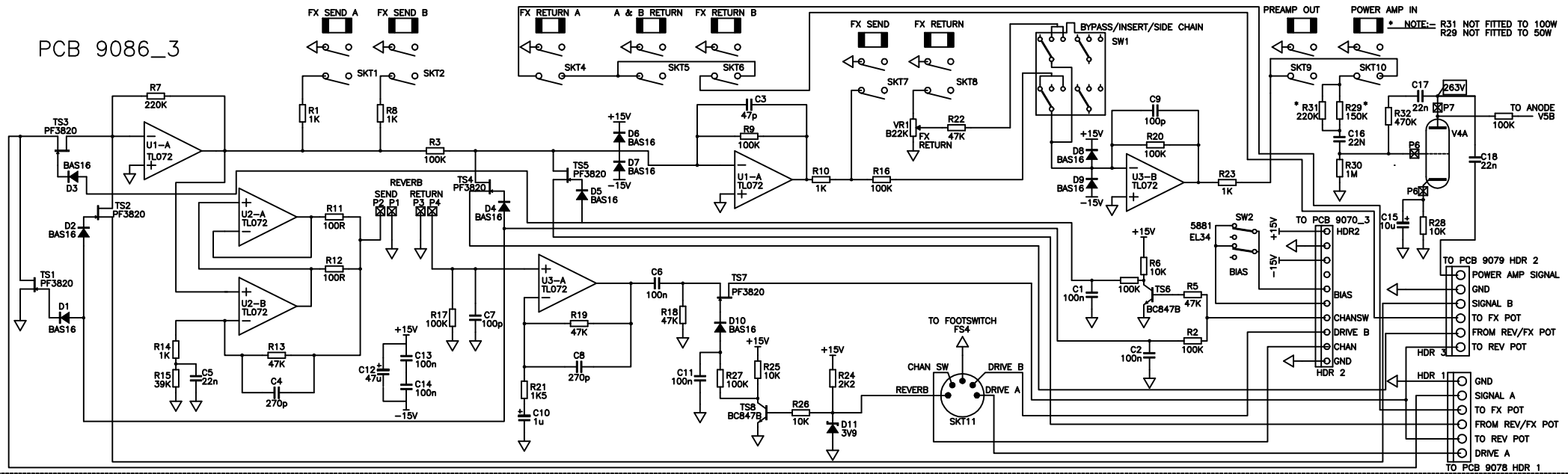
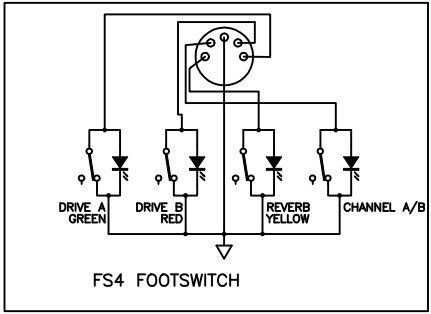
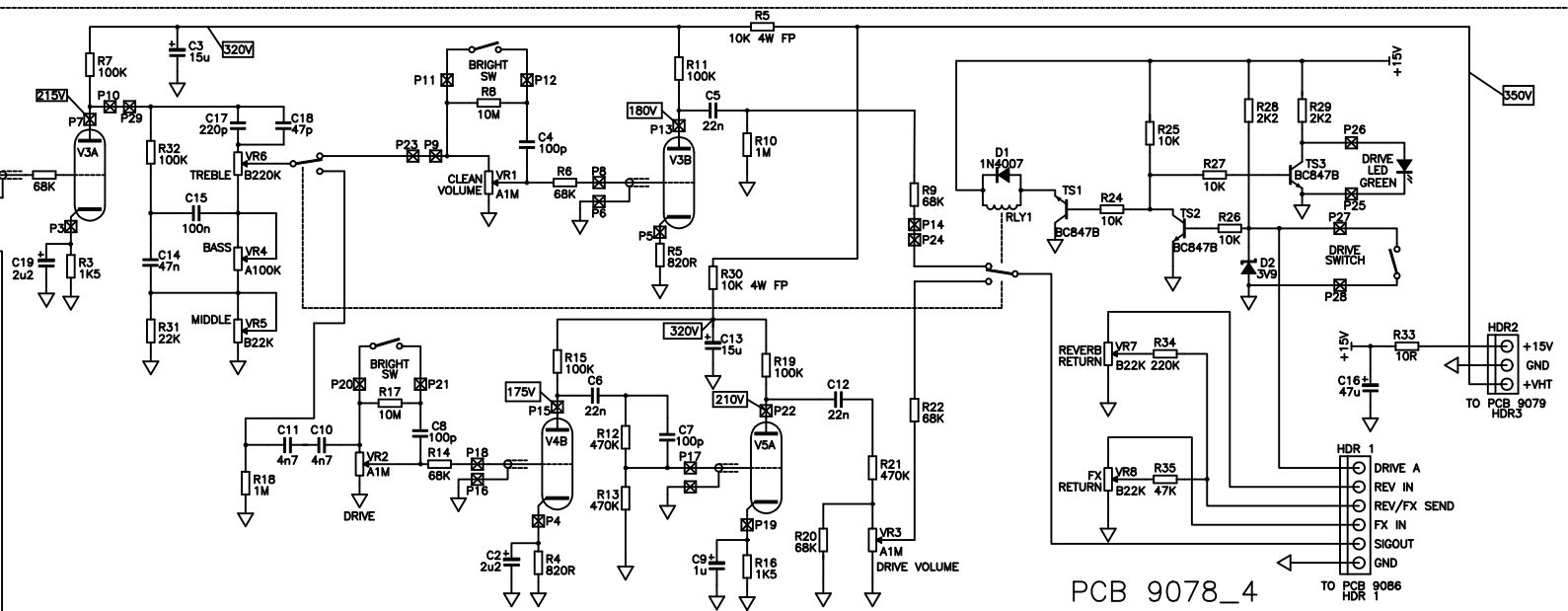
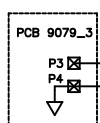
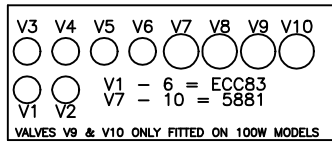


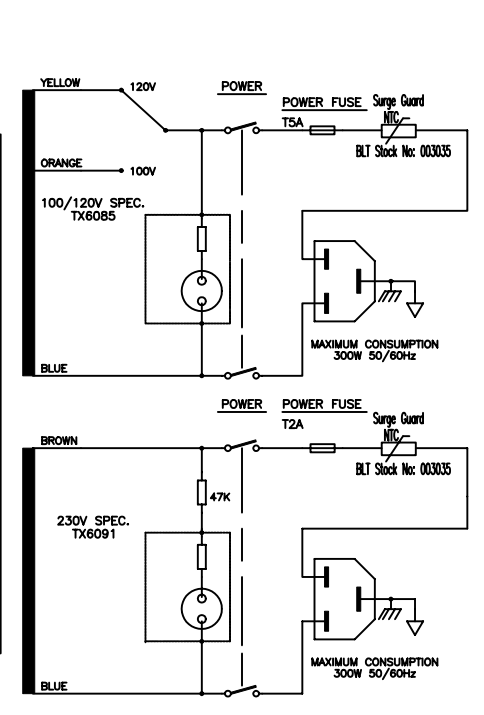
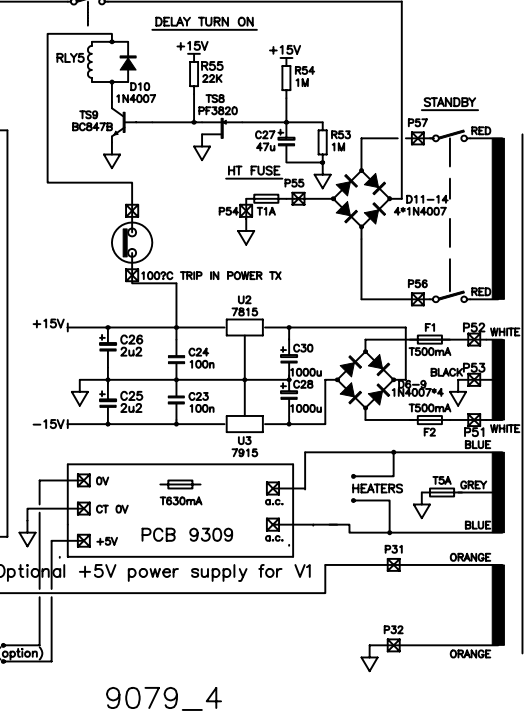
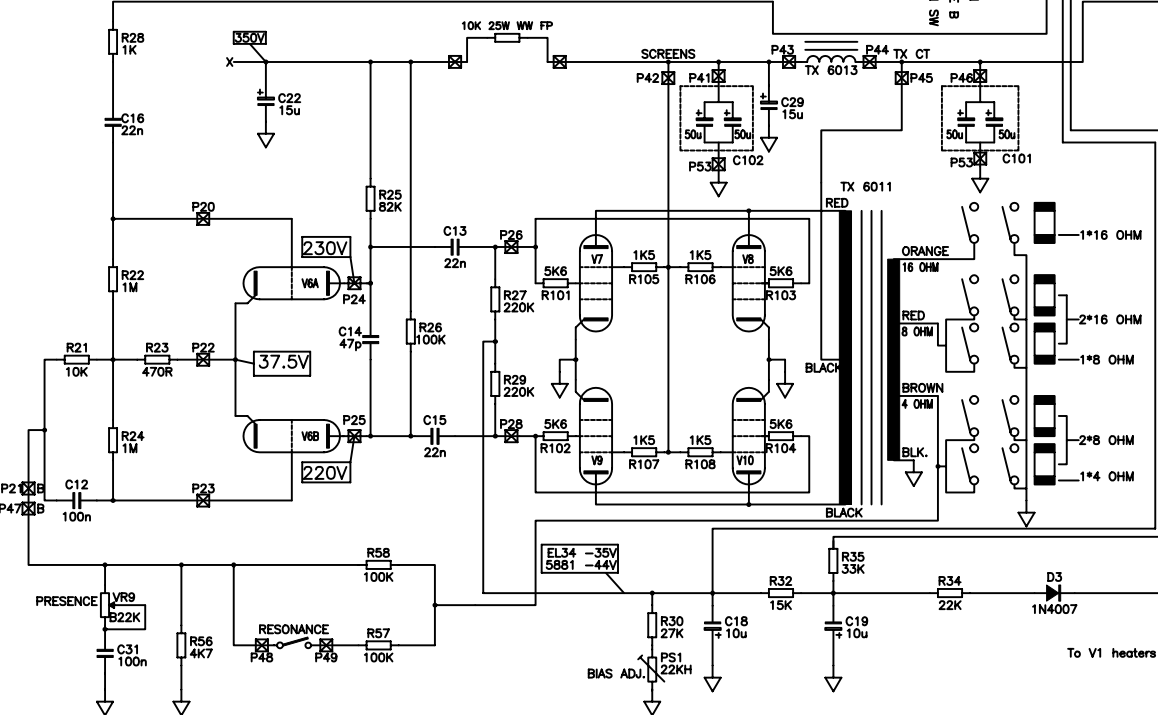
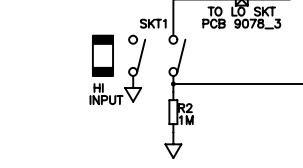
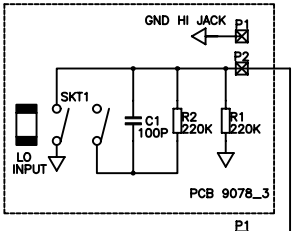
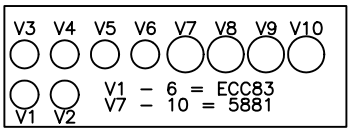
Laney

Service Diagrams



ISSUE	DESCRIPTION	APPD.	DATE	TITLE	DRAWN	TRACED	CHECKED	APPROVED	DATE
4	CHANGE R5 & 30 FROM 10K 1W TO 10K 4W FP	S.L.	14/5/95	VC50/VC100/VH100R CLEAN & FX CIRCUIT PART No	S.L.				14/5/95
DRAWING No.								2386	

LANEY



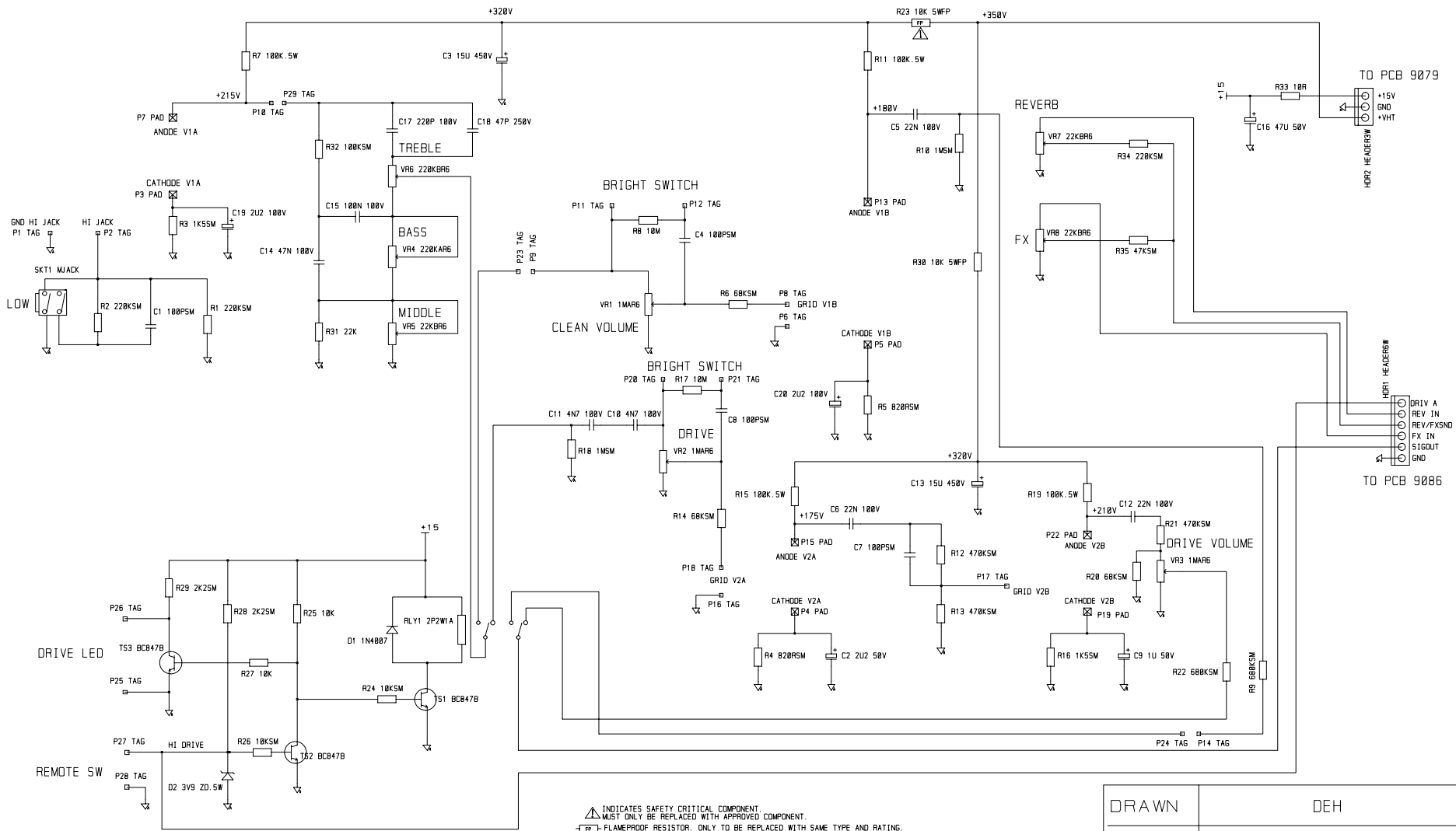
9079_4

ISSUE	DESCRIPTION	APPD.	DATE
4	CHANGE R46 & R41 FROM 2 OFF 22K TO A SINGLE 10K 25W FIRE PROOF CHANGE R14 & 23 FROM 10K 1W TO 10K 4W FIRE PROOF ADD 1000°C TRIP TO POWER TX ADD F1 & 2 AS T500mA ADD 2 CHASSIS MOUNT FUSE CARRIERS WITH TSA TO HEATER WINDINGS CHANGE POWER TX FROM 6086 TO 6091 230V Option added for regulated +5V supply for V1, dependent on valve type	S.L.	14/9/95
5		R.J.F	5/10/98
6	SG64 Surge Guard added to primary of mains transformer.	RT	21/11/01

LANEY

VH100R OVERDRIVE & OUTPUT DIAGRAM
 PART No

DRAWN	TRACED	CHECKED	APPROVED	DATE
S.L.				26/4/95
DRAWING No.			2385	

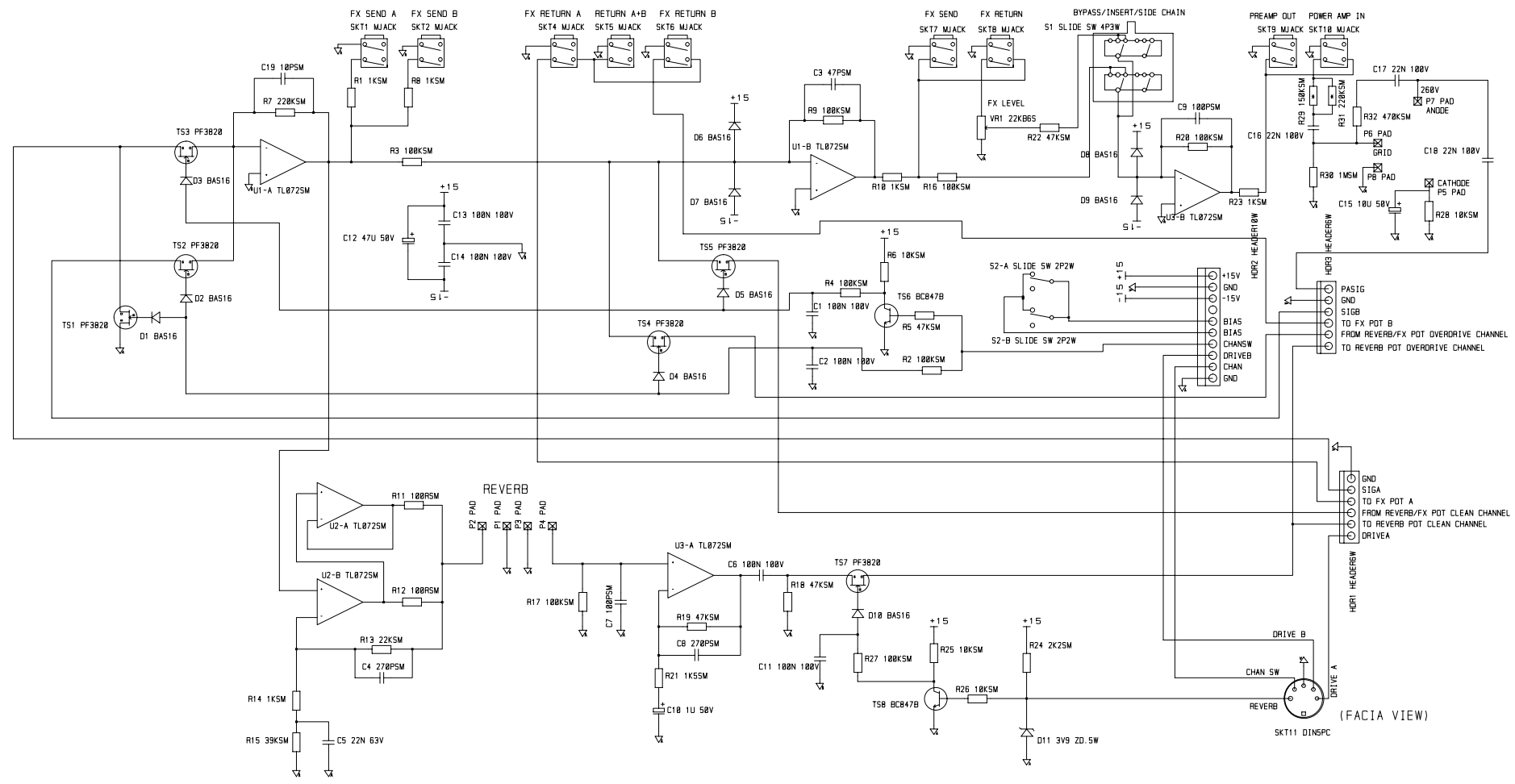


⚡ INDICATES SAFETY CRITICAL COMPONENT. MUST ONLY BE REPLACED WITH APPROVED COMPONENT.
 [FP] FLAMEPROOF RESISTOR. ONLY TO BE REPLACED WITH SAME TYPE AND RATING.

DRAWN	DEH
DATE	25/07/95
TITLE	4 CHANNEL VALVE AMP CLEAN CHANNEL
DRW. NO.	9078-4

ISSUE	C19/20 2U2 ADDED 26/07/95 R23/30 18K 1W CF TO 5W WW FP 26/07/95
TYPE	

*Note R50 not fitted on 50W models
R51 not fitted on 100W models



DRAWN	DEH
DATE	25/07/95
TITLE	4 CHANNEL VALVE AMP FX MODULE
DRW. NO.	9086_4

ISSUE	C19 ADDED 19/04/95 R13 47K TO 22K 19/04/95
-------	---

TYPE	
------	--

