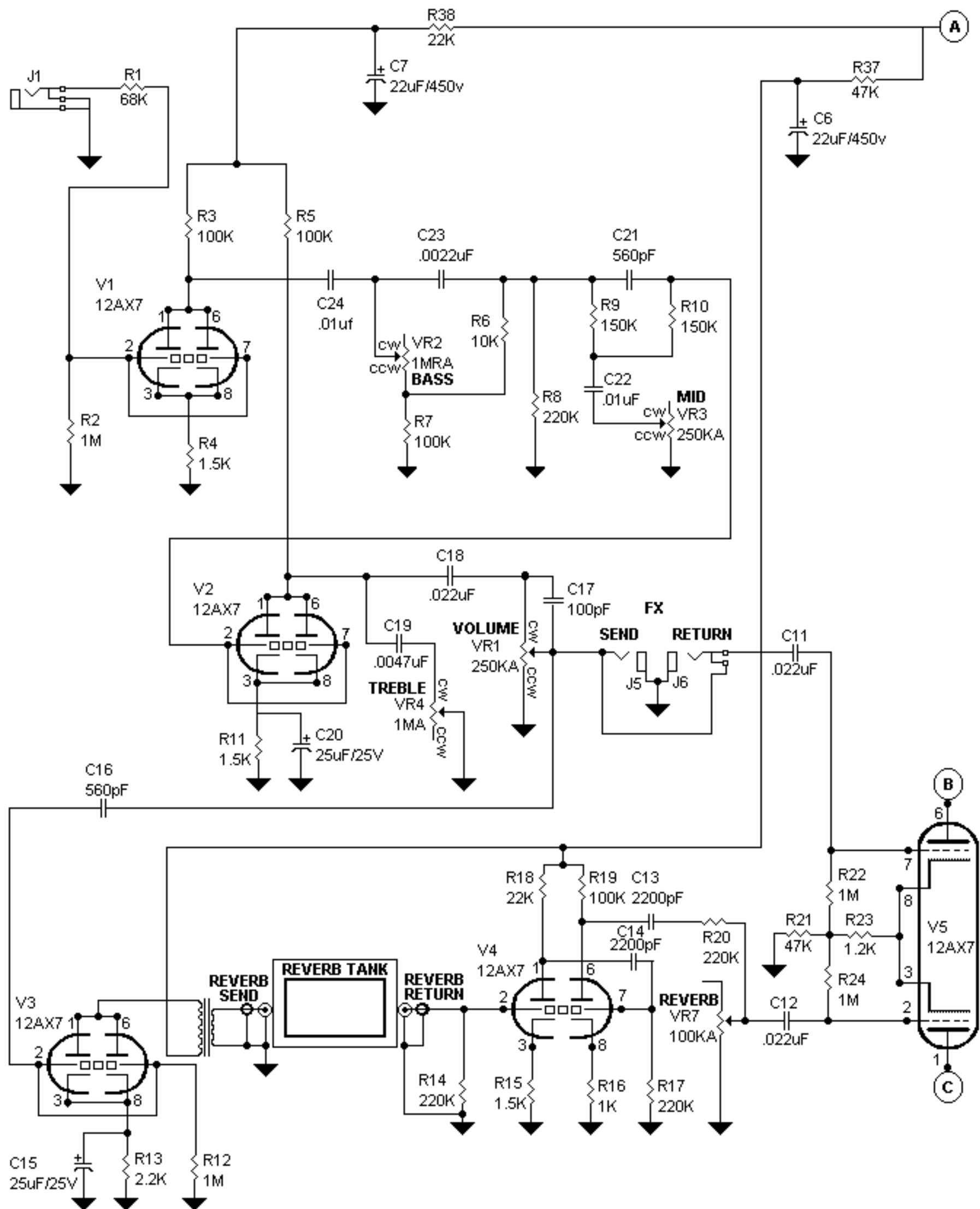
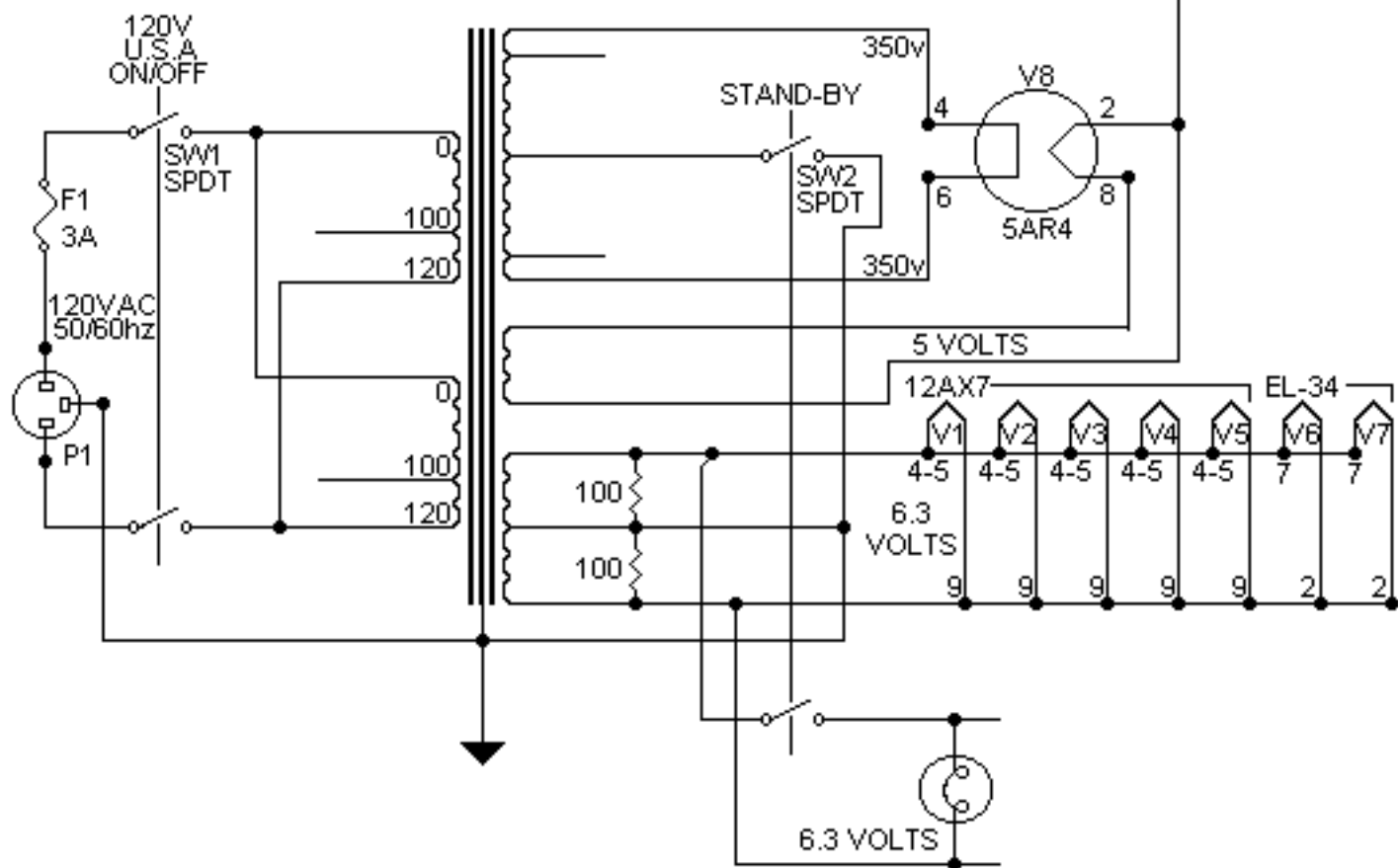
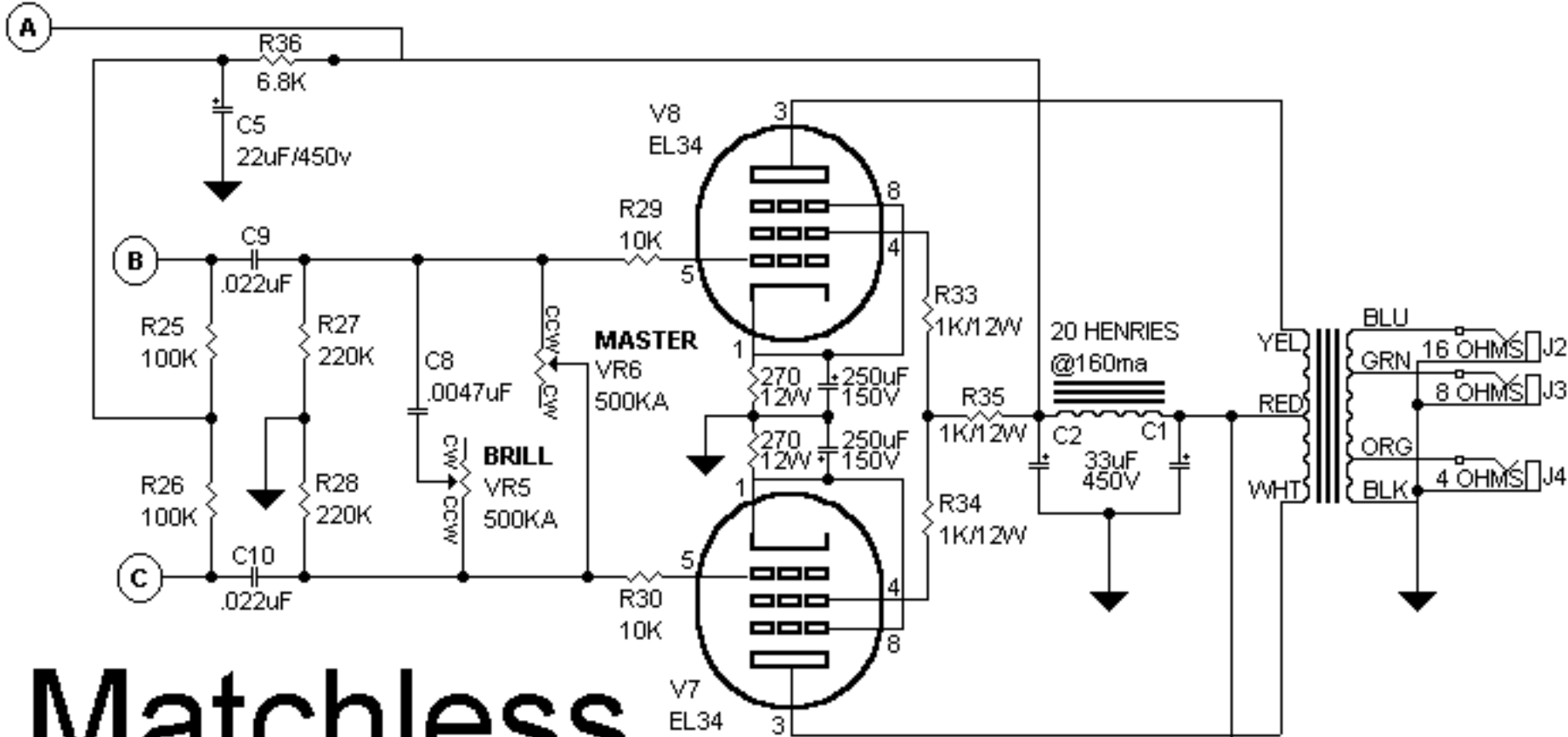
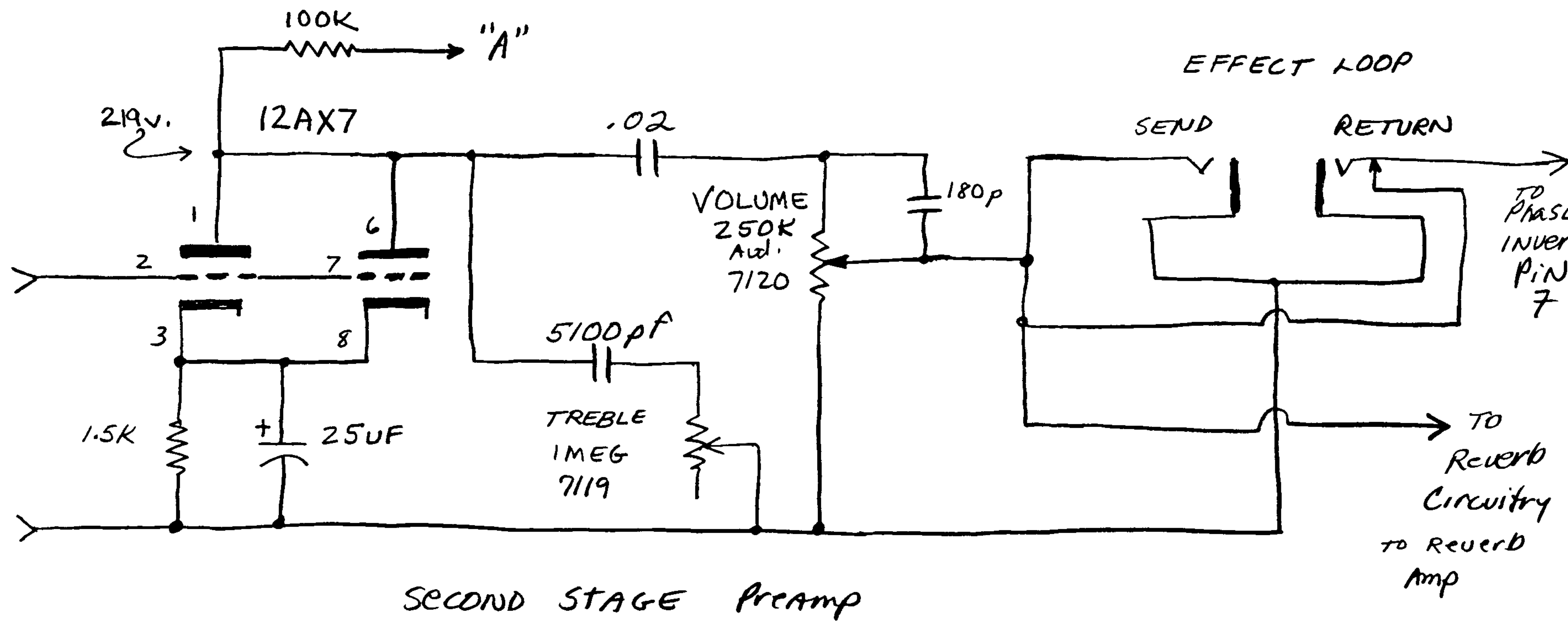
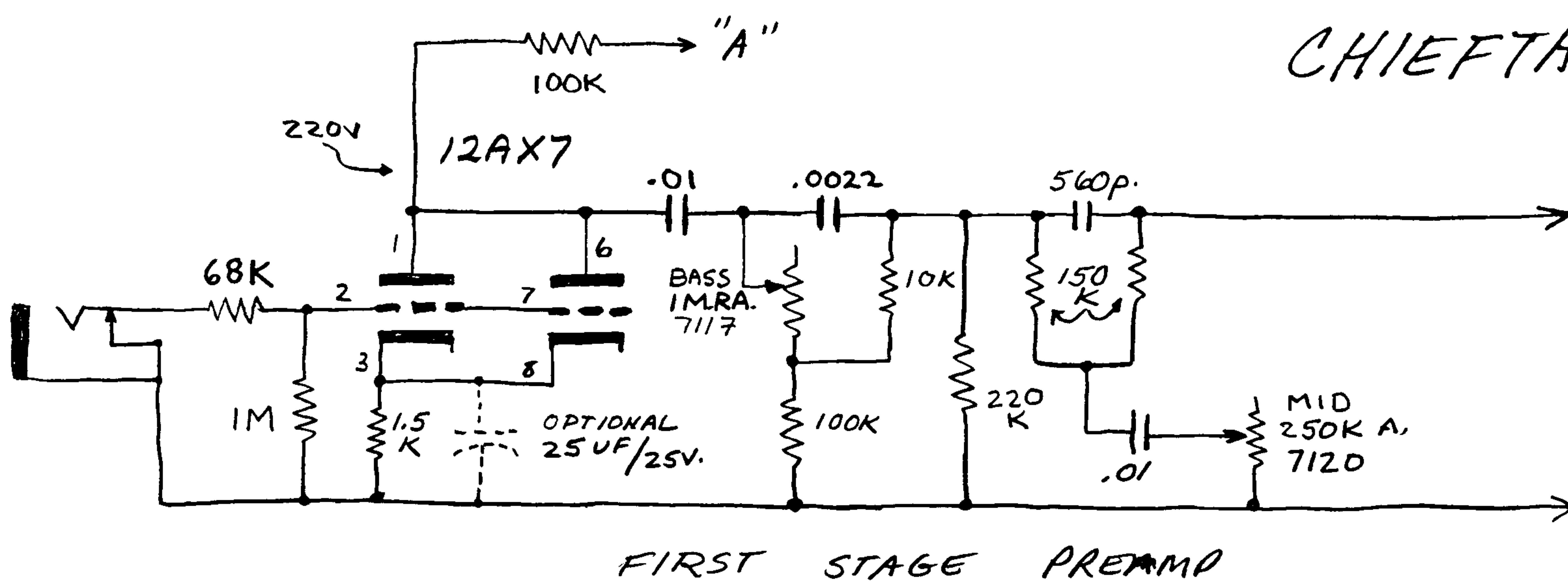


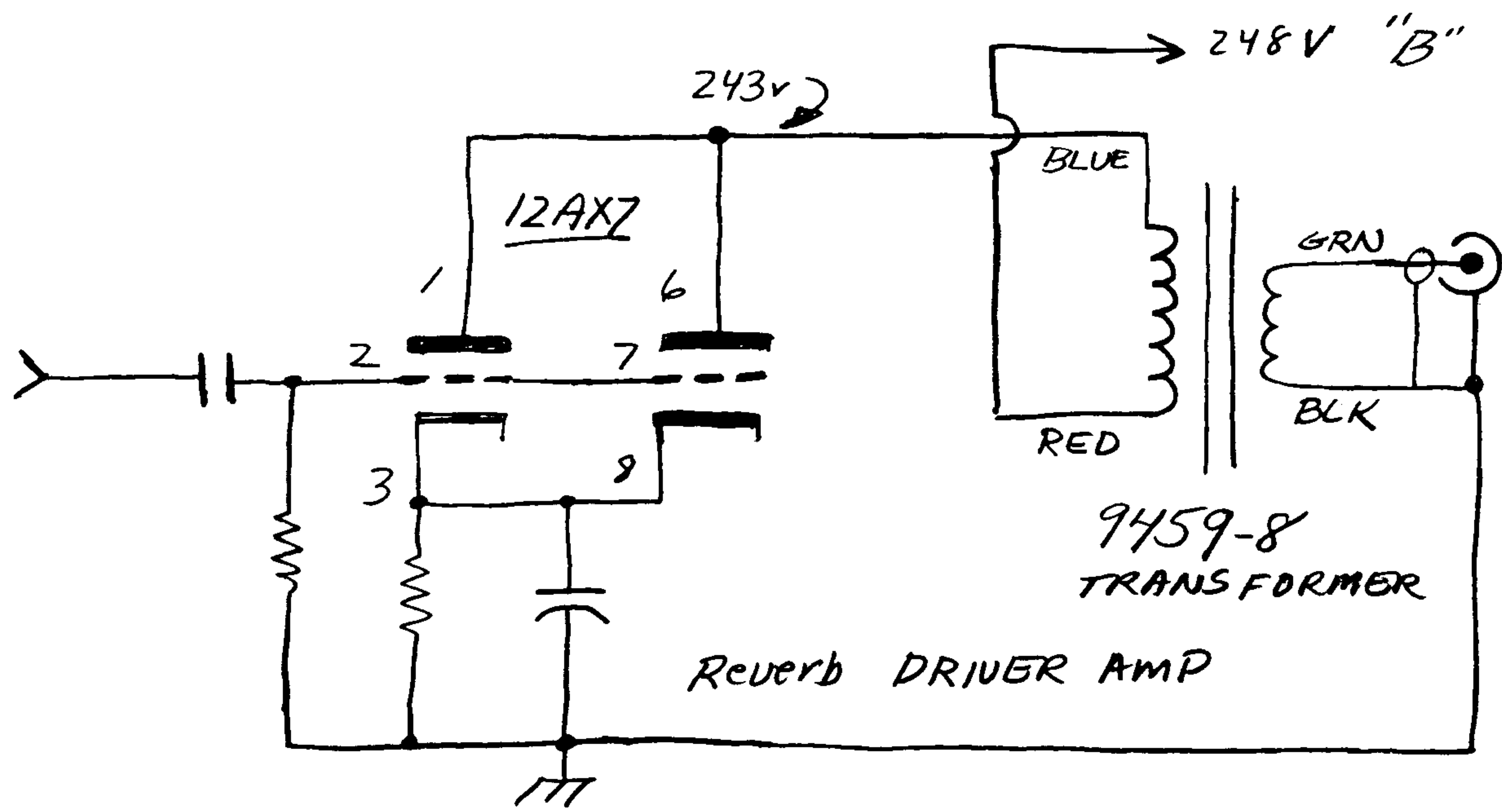
NOTES: 1. OBSERVE INTERNAL CIRCUITRY FOR THE LINKED GROUPS THAT DEFINE THE GROUNDING LAYOUT.



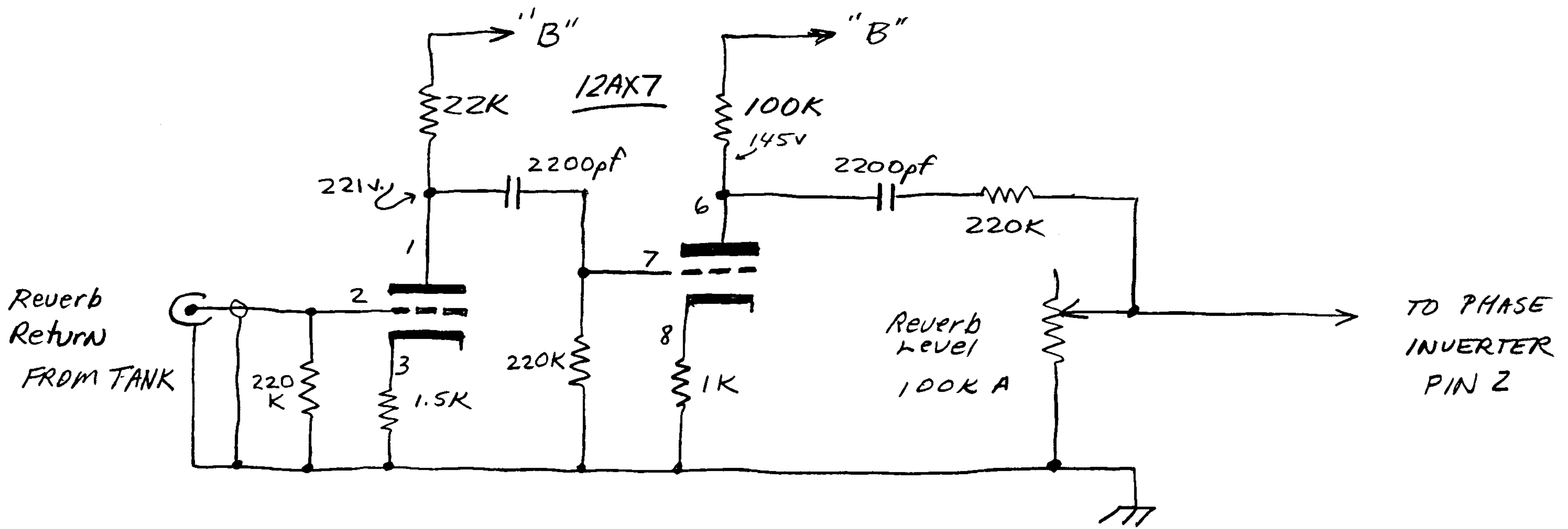


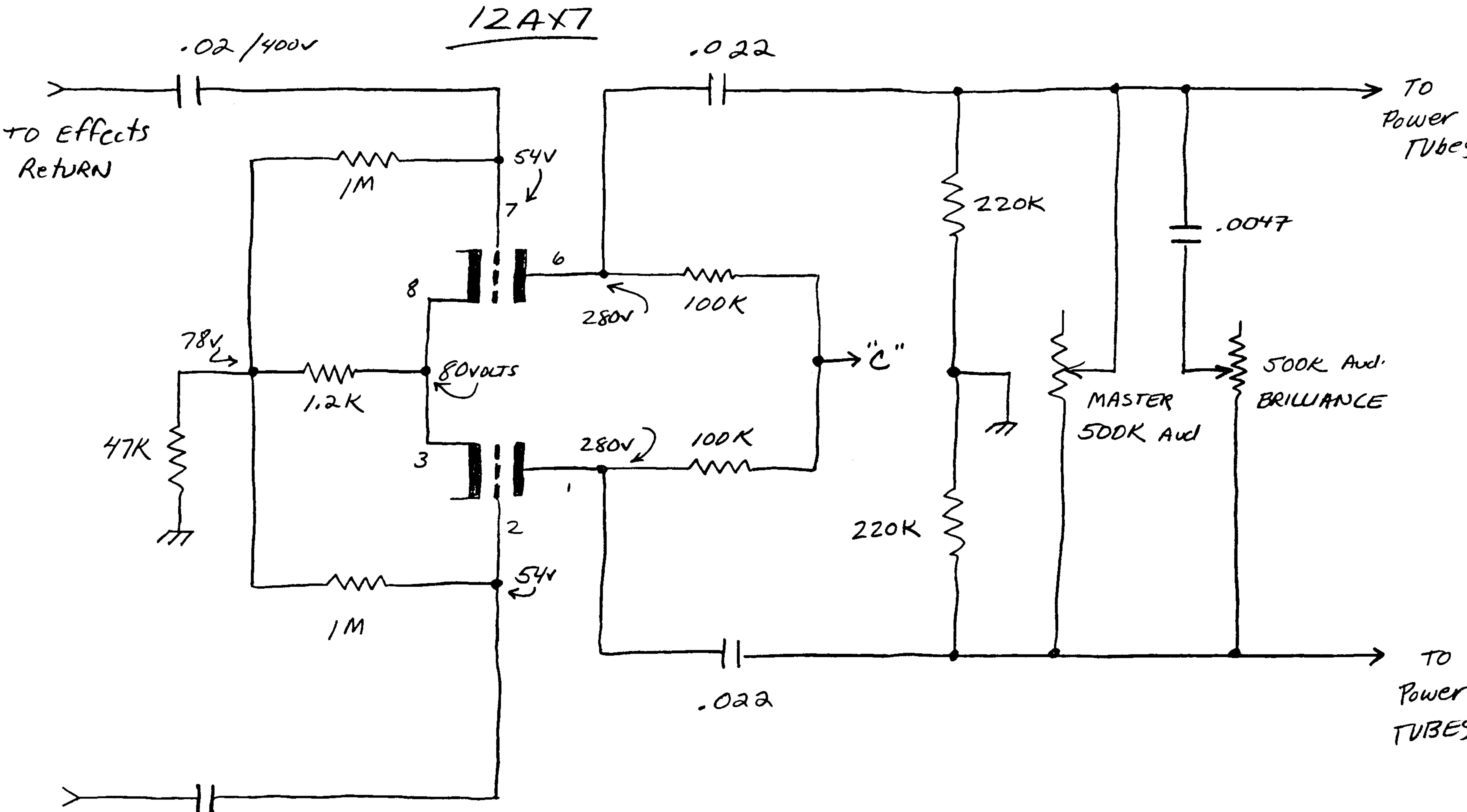
CHIEFTAIN REVERB





Reverb SEND
TO TANK
9AB1C1B
OR
4AB3C1B





12AX7

PHASE INVERTER

TO Effects
RETURN

TO
Power
Tubes

TO
Reverb
Level
Control

TO
Power
TUBES

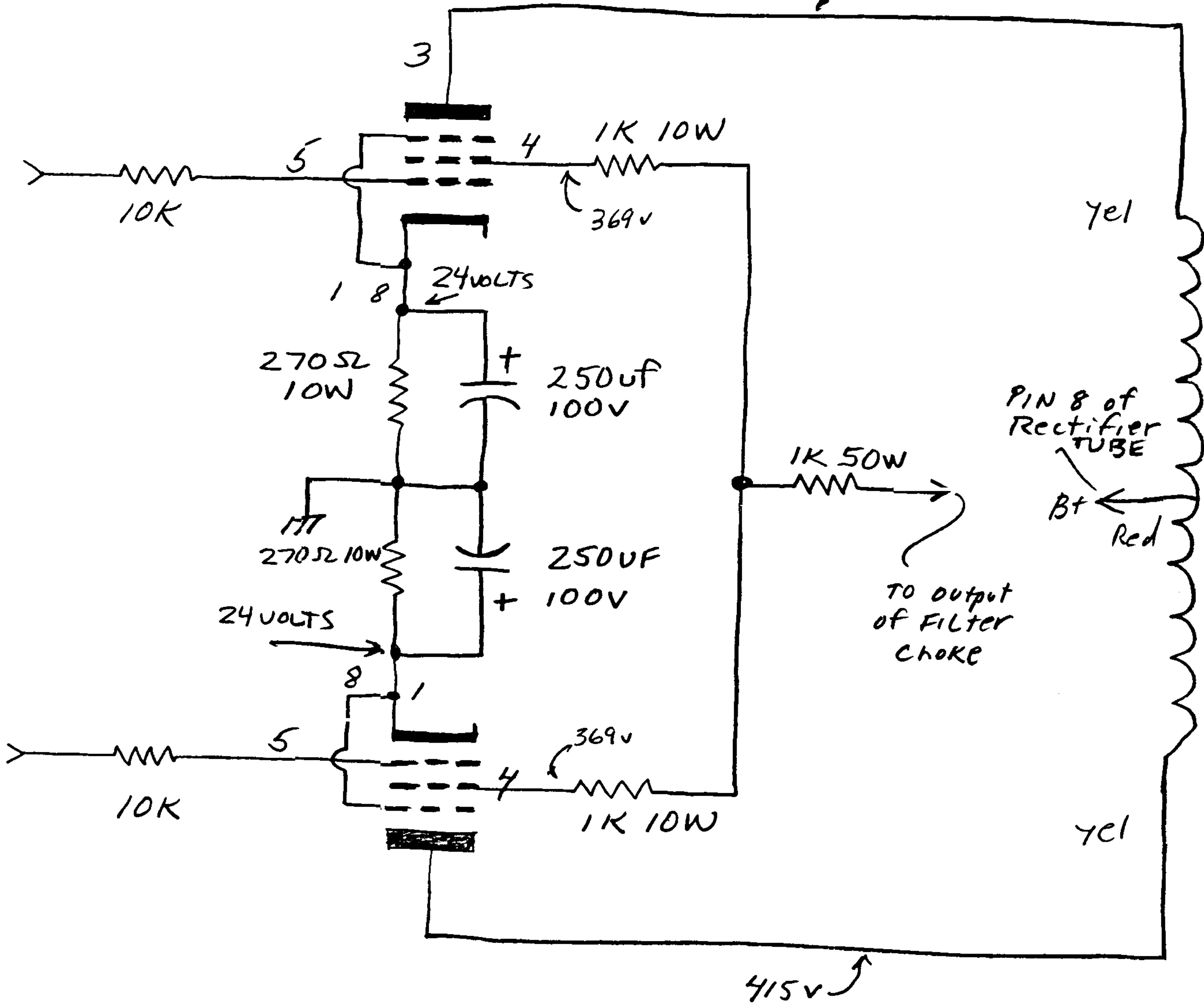
"C"

MASTER
500K Aud

500K Aud.
BRILLIANCE

EL-34

415V \bar{r}



EL-34

WT1
9356

OUTPUT

