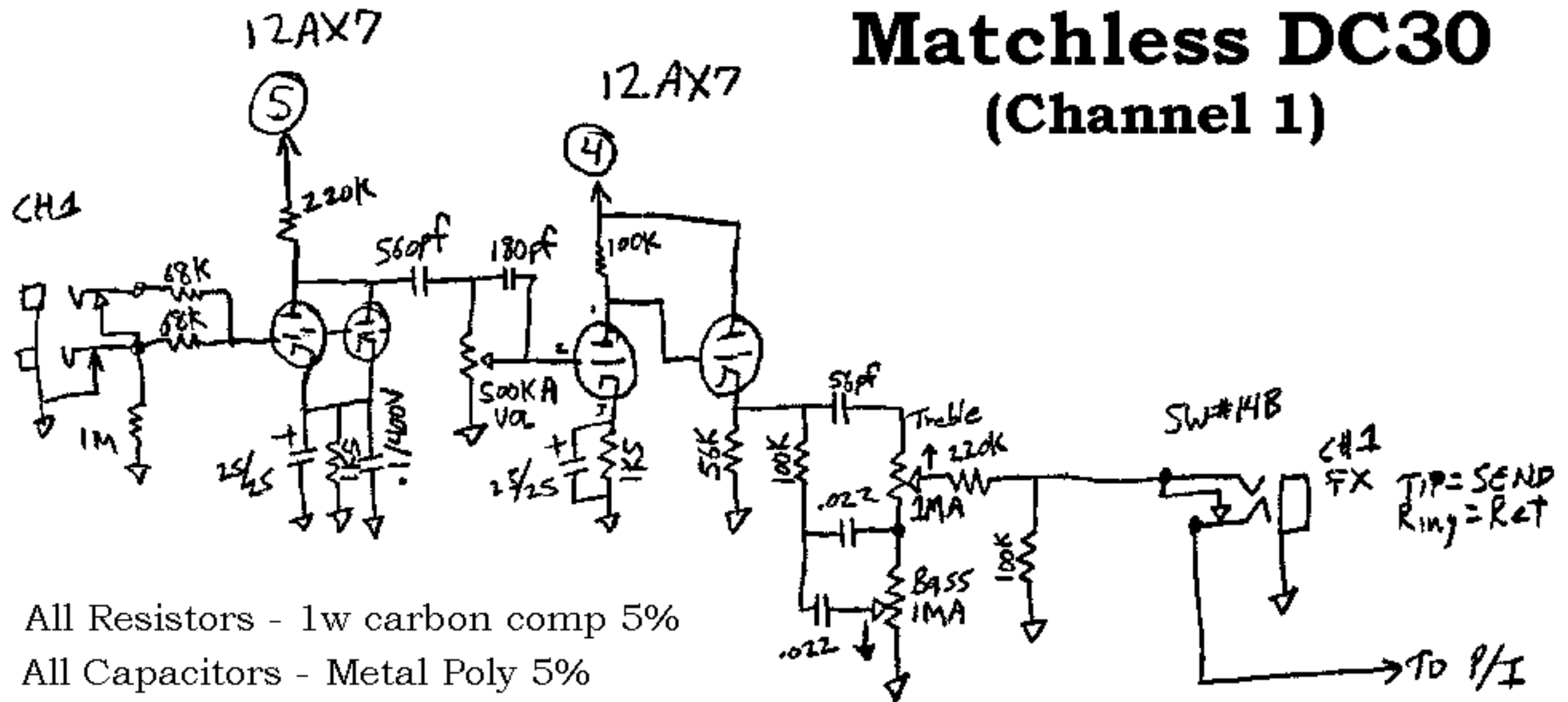


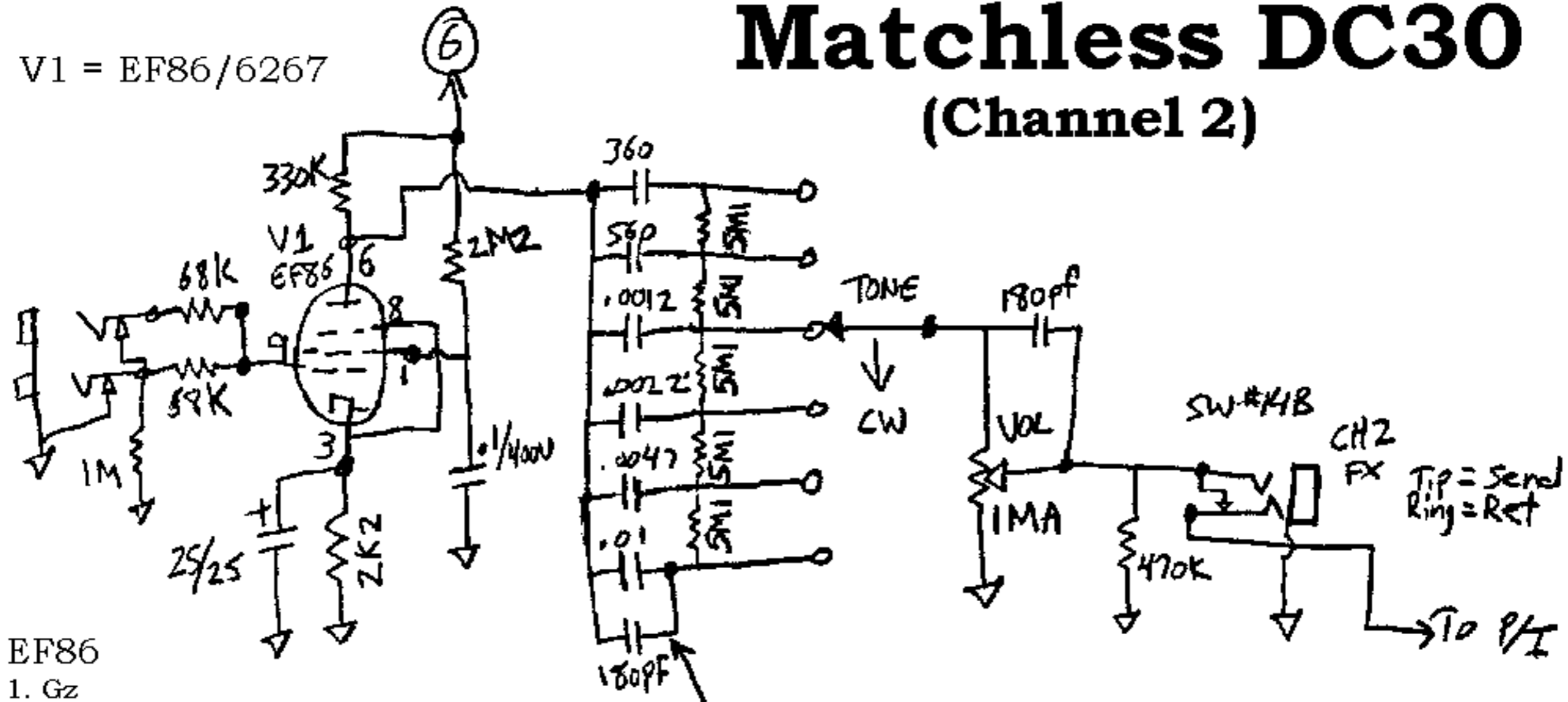
Matchless DC30 (Channel 1)



All Resistors - 1w carbon comp 5%
All Capacitors - Metal Poly 5%

Matchless DC30 (Channel 2)

V1 = EF86/6267



EF86

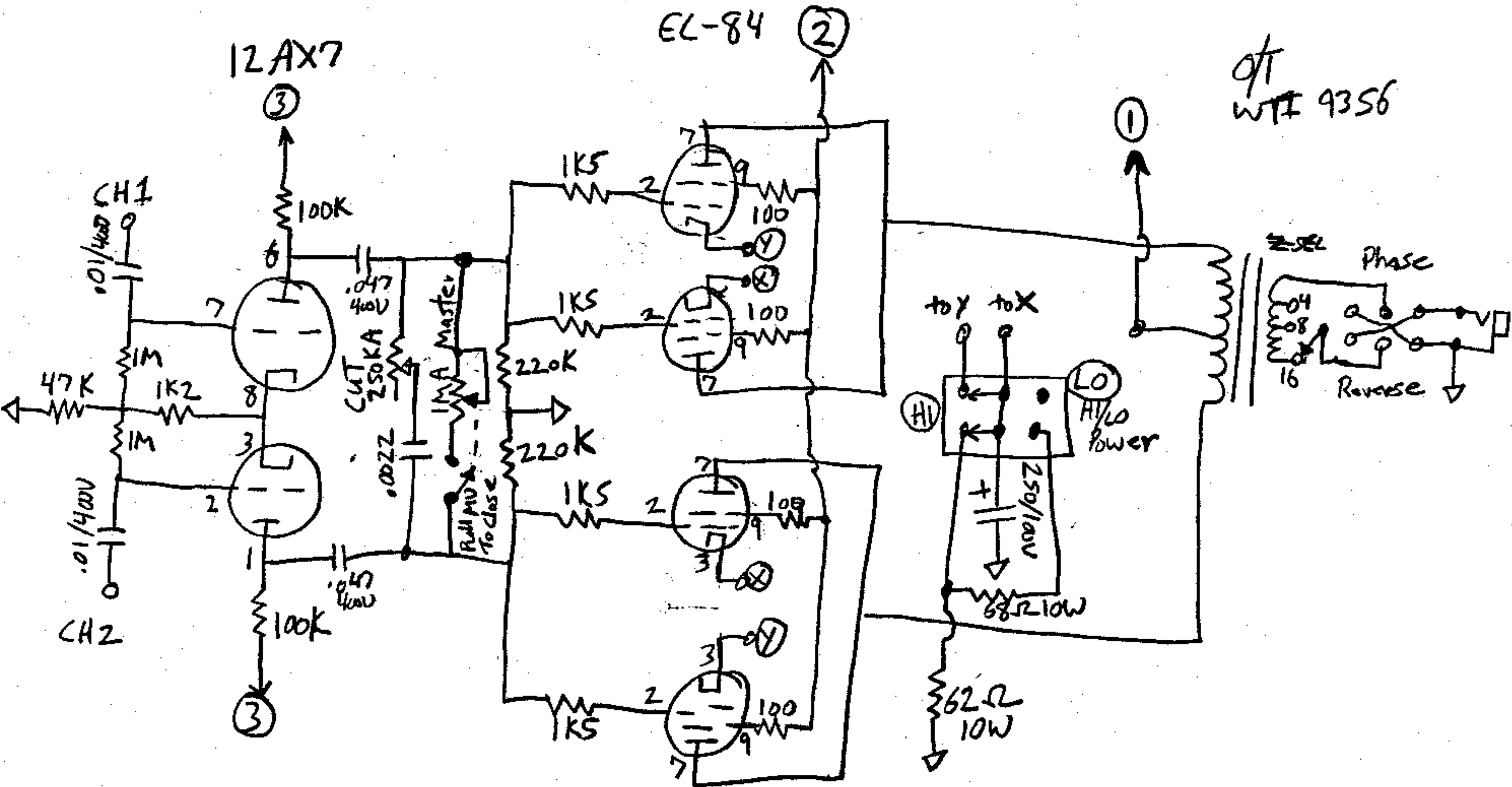
- 1. Gz
- 2. Gnd
- 3. K/G3
- 4. Heater
- 5. Heater } 6.3VAC
- 6. Plate
- 7. N/C
- 8. K/G3
- 9. G1

This cap added at the factory to bring value up to .01uf

MATCHLESS

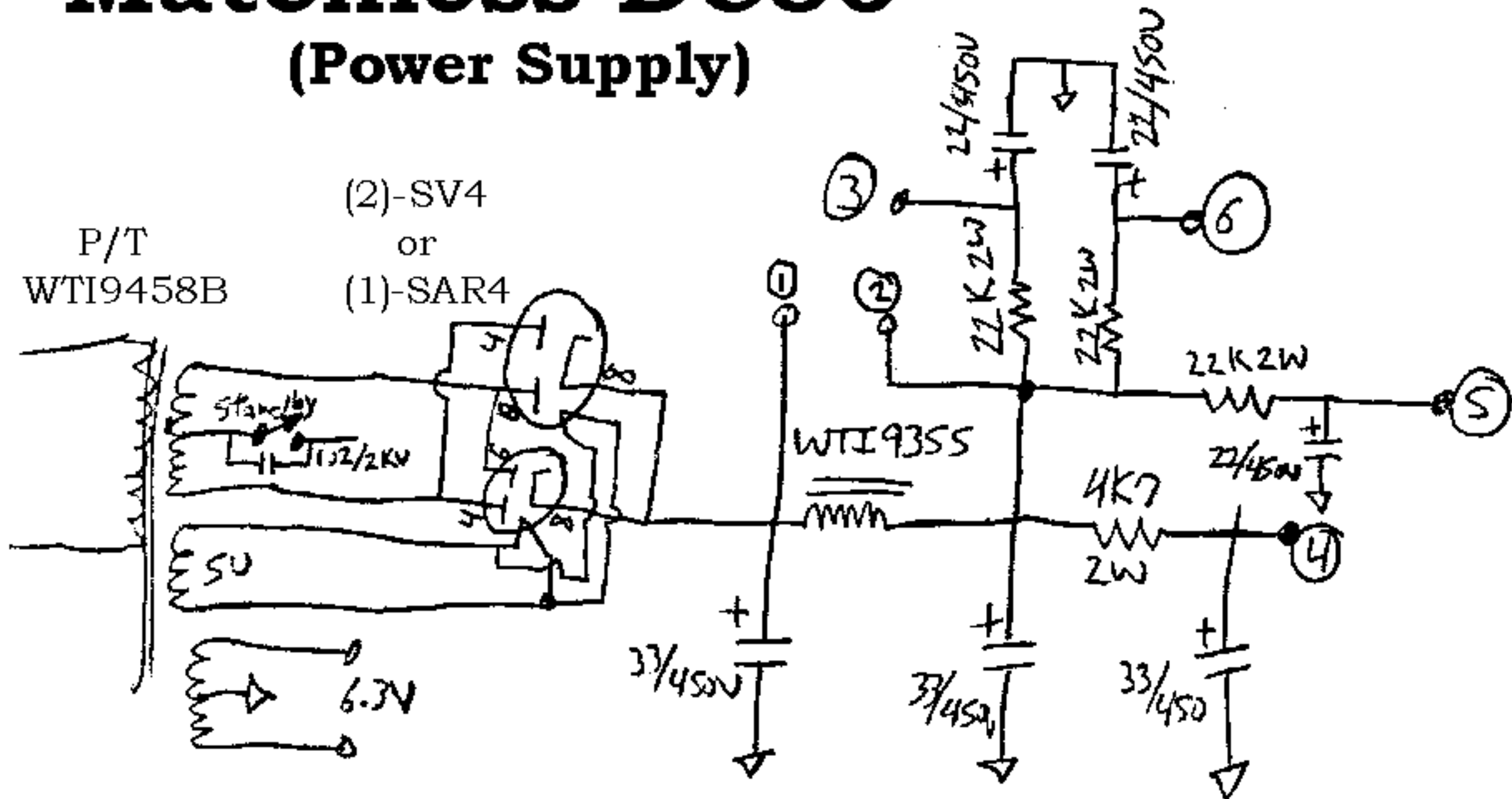
D/C 30

P/E - Power Amp



WTF 9356

Matchless DC30 (Power Supply)



Voltage Measured w/SAR4

1. 350v
2. 338v
3. 308v
4. 317v
5. 319v
6. 320v

