

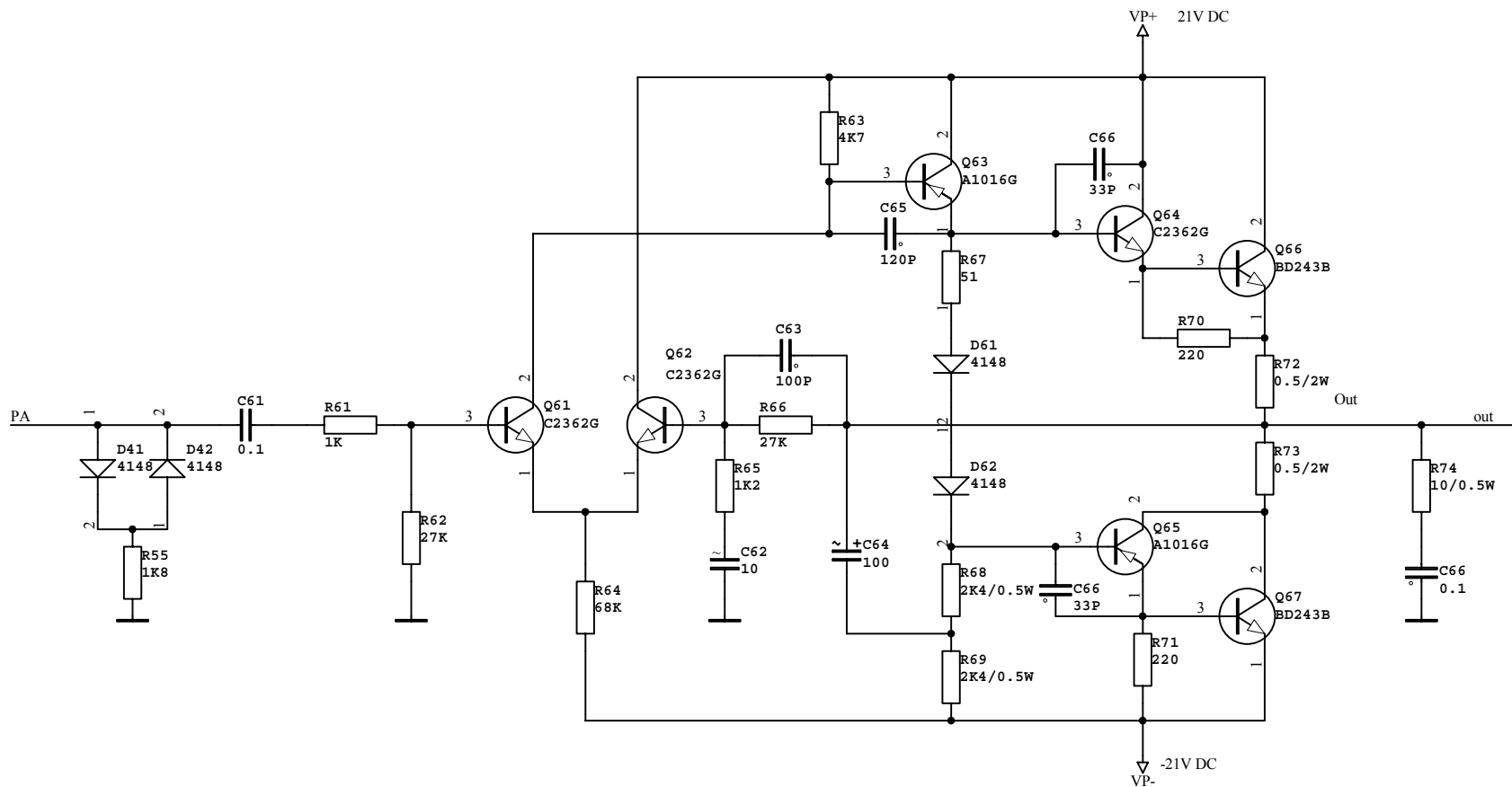
List of Changes:

Changed:	Old	New	Reason:
R80	3K9	10K	more reverb
R33	10K	4K7	more volume
L81	W99	22uH	kill HF
R16	120K	160K	more gain
R66	18K	27K	more gain

(c) Copyright 1997 - ALL RIGHTS RESERVED
All unspecified capacitors in uF, resistors carbon 5%

MS Music Service GmbH
Bannerstrasse 42, 22765 Hamburg, Germany
<http://www.nobels.com> - email: nobels@compuserve.com

Circuit Diagram
Number: **NOBELS: AMP GC-16/16R** Size: **A4** Rev: **4b**
Date: **27-Jan-2000** Time: **17:51:28** Sheet **1** of **2**
File: **R:\SPRO\AMPS\GC-16\DSG\NGC16R_4B.SCH**



R68,69,74 = 1/2W

Replacement:

BD243 : TIP41C
A1016G: A1268G
C2362G: C3200G

All unspecified capacitors in μF , resistors carbon 5%
All rights reserved - Copyright NOBELS Electronics e.K.

NOBELS ELECTRONICS

Barnerstrasse 42, 22765 Hamburg, Germany
www.nobels.com - email: info@nobels.com

Title Circuit Diagram		
No.:	NOBELS: POWER AMP GC-16R	Size: A4 Rev: 4b
Date:	15-Apr-2003	Time: 00:05:56 Sheet 2 of 2
File:	GC16_PA_4B.sch	