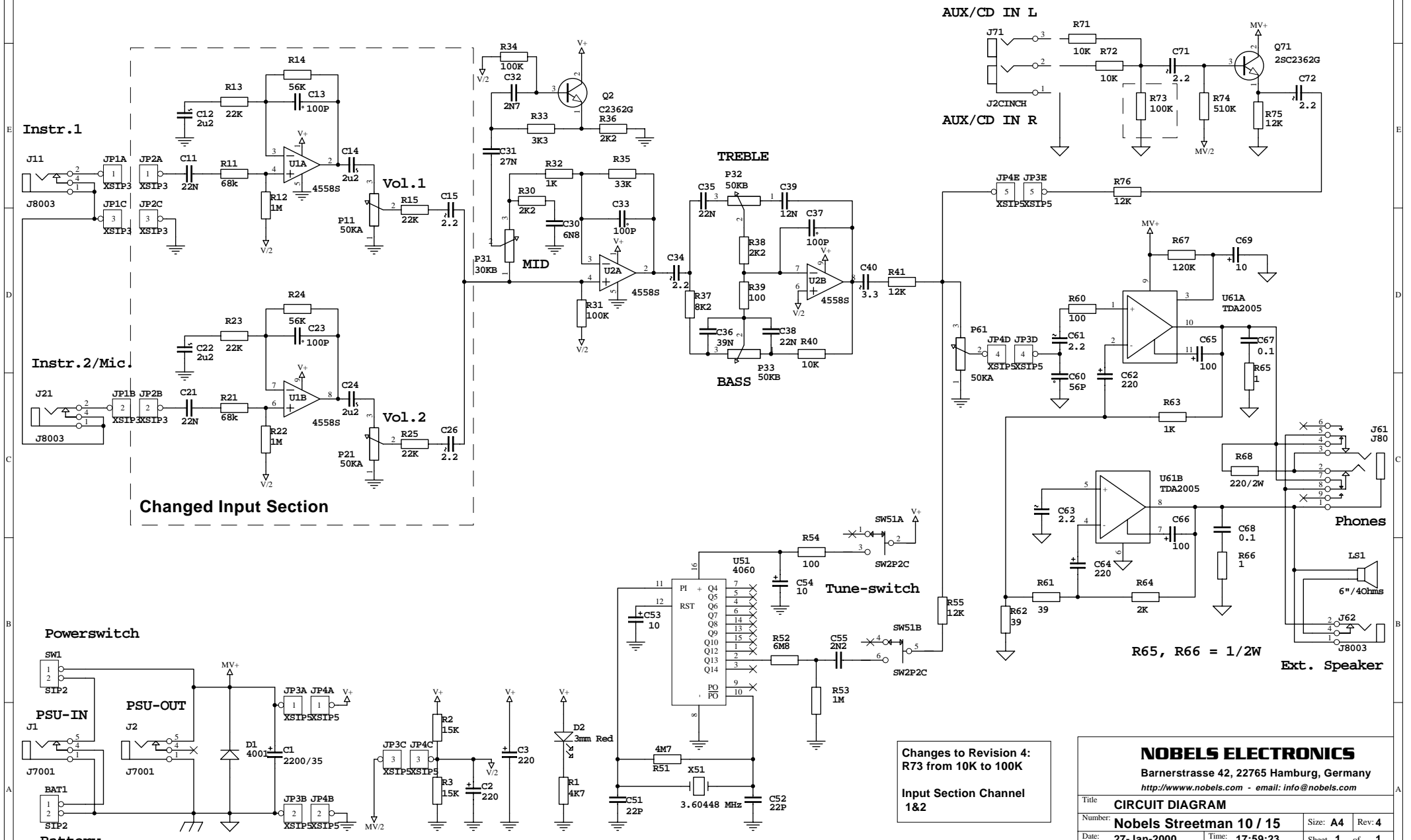


# Streetman 10 / 15



**Changes to Revision 4:**  
R73 from 10K to 100K  
**Input Section Channel 1&2**

**NOBELS ELECTRONICS**  
Barnerstrasse 42, 22765 Hamburg, Germany  
<http://www.nobels.com> - email: [info@nobels.com](mailto:info@nobels.com)

Title: <b>CIRCUIT DIAGRAM</b>			
Number: <b>Nobels Streetman 10 / 15</b>	Size: <b>A4</b>	Rev: <b>4</b>	
Date: <b>27-Jan-2000</b>	Time: <b>17:59:23</b>	Sheet <b>1</b> of <b>1</b>	
File: <b>R:\S\PRO\AMPS\ISM10DSGN\ISM10_4.SCH</b>			