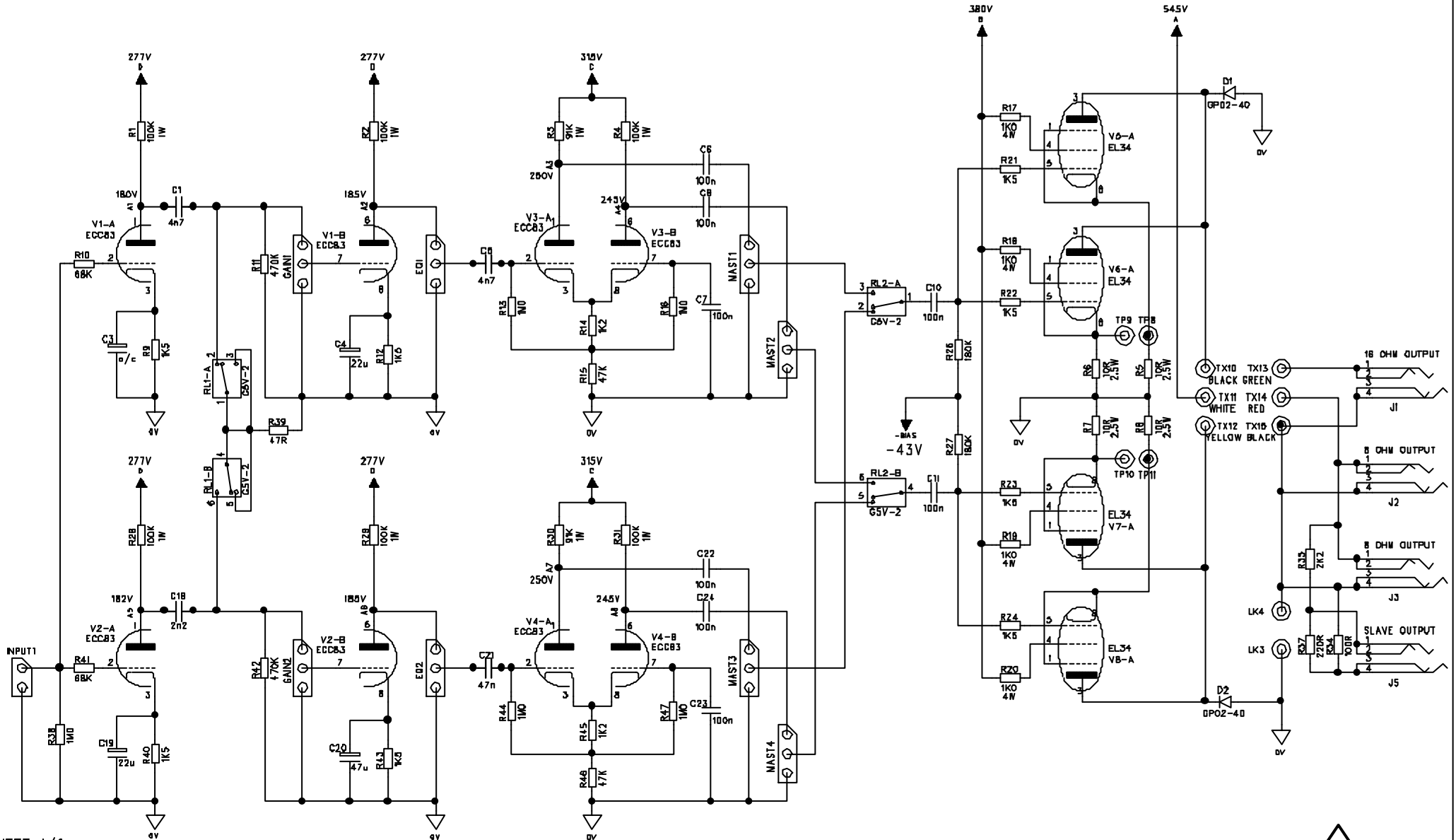


ORANGE AD140 Twin Channel - MAIN BOARD

ISSUE CHANGE NOTE DATE	ISSUE CHANGE NOTE DATE	ISSUE CHANGE NOTE DATE



SHEET 1/2
Circuit Design by Adrian Emley

FOR USE WITH PC00145

TITLE MAIN BOARD
PROJECT ORANGE AD140 Twin Channel
DRAWING No C000145
ISSUE 1
DATE 29 January 2001
DRAWN BY PAUL STEVENS

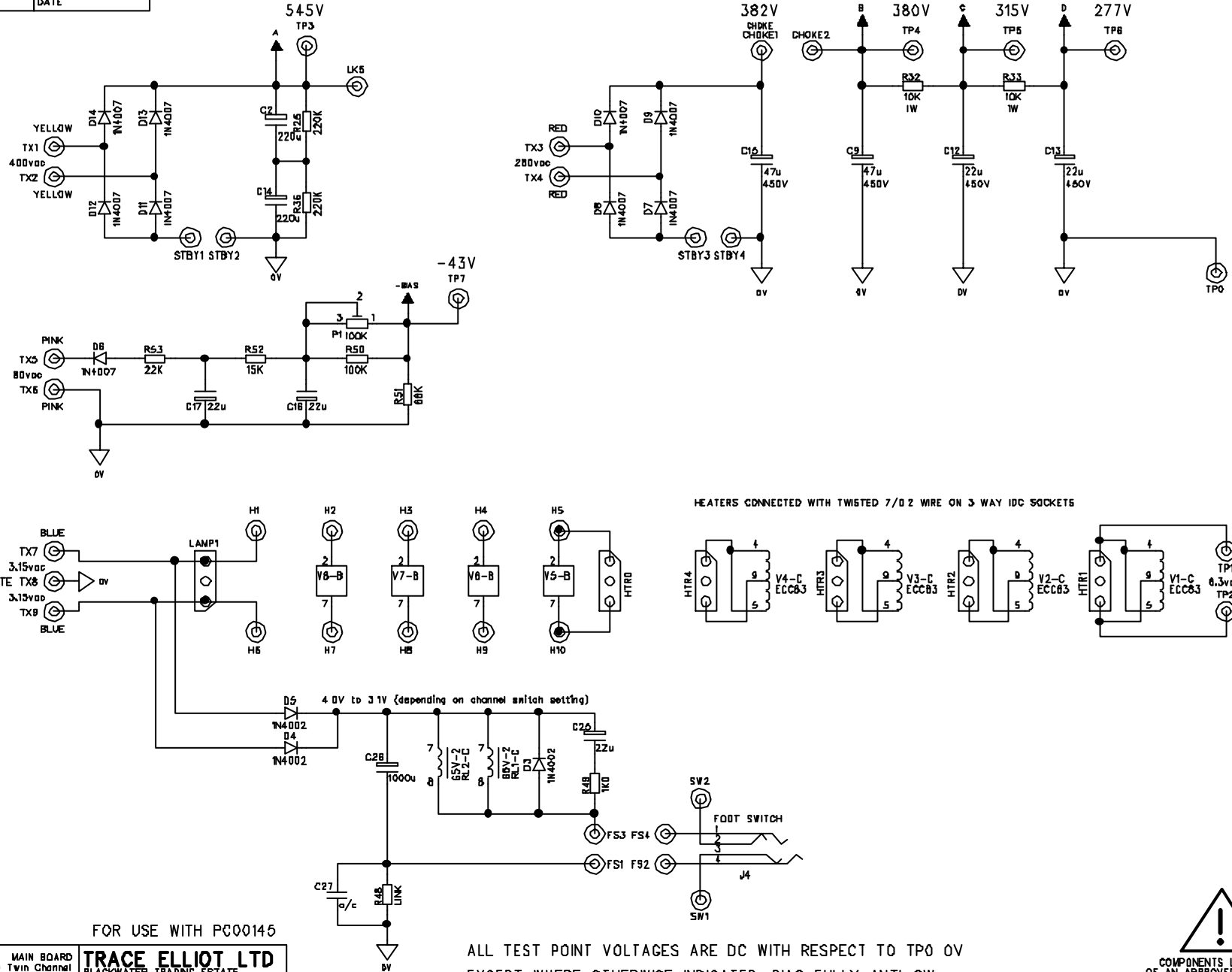
TRACE ELLIOT LTD
BLACKWATER TRADING ESTATE
WALTON ESSEX CM9 4GG
GREAT BRITAIN
TEL (01821) 851851
FAX (01821) 851975

ALL TEST POINT VOLTAGES ARE DC WITH RESPECT TO TP0 0V EXCEPT WHERE OTHERWISE INDICATED. BIAS SET FULLY ANTI-CW TOLERANCE +/- 10%

Connects to PC00133
Refer to C000133



ISSUE CHANGE NOTE DATE	ISSUE CHANGE NOTE DATE	ISSUE CHANGE NOTE DATE



HEATERS CONNECTED WITH TWISTED 7/0.2 WIRE ON 3 WAY IDC SOCKETS

SHEET 2/2

FOR USE WITH PC00145

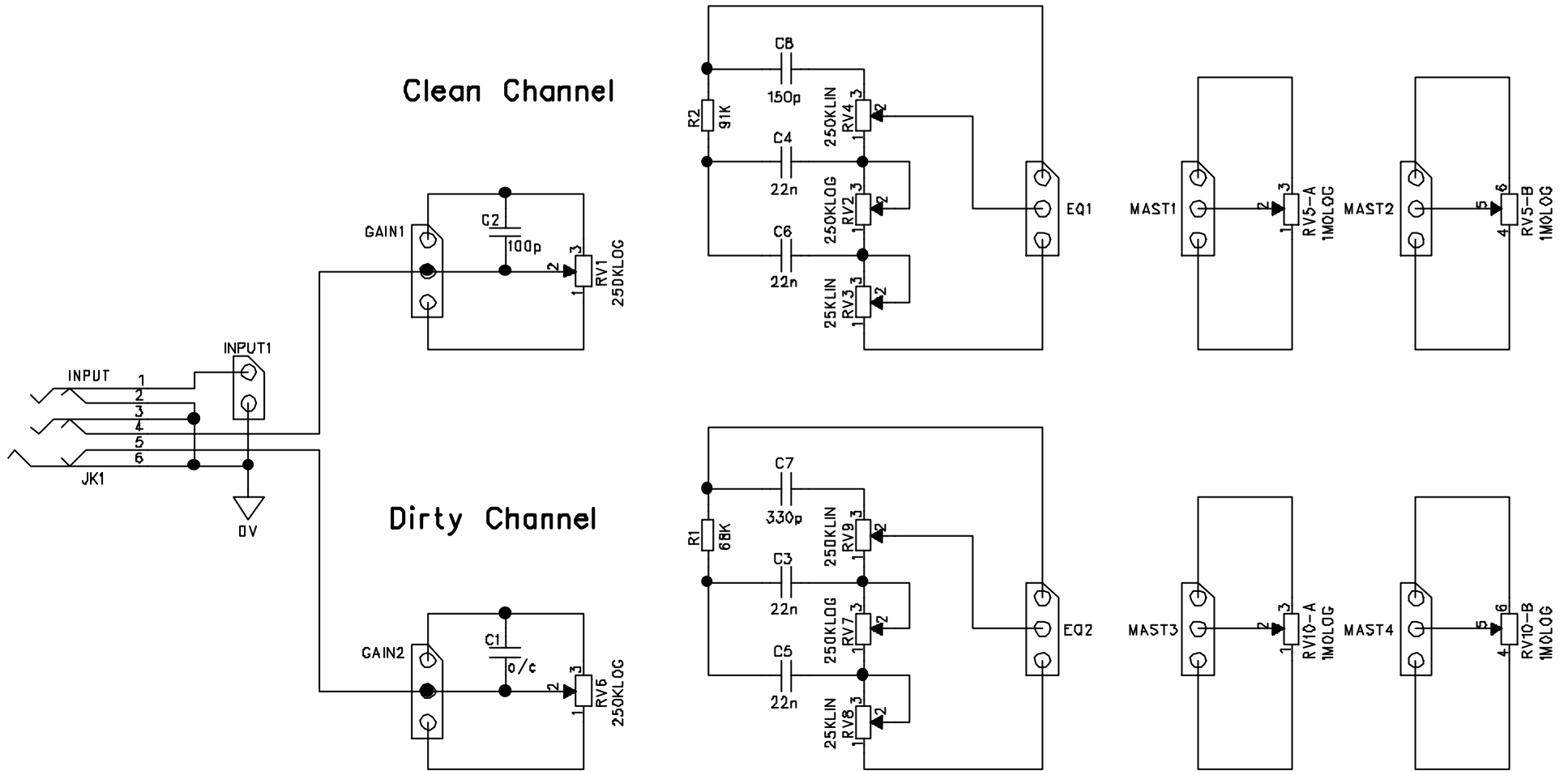
TITLE	MAIN BOARD	TRACE ELLIOT LTD
PROJECT	ORANGE AO140 Twin Channel	BLACKWATER TRADING ESTATE
DRAWING No	C000145	WALDON ESSEX CM9 4GG
ISSUE	1	GREAT BRITAIN
DATE	29 January 2001	TEL (01821) 851851
DRAWN BY	PAUL STEVENS	FAX (01821) 851975

ALL TEST POINT VOLTAGES ARE DC WITH RESPECT TO TP0 0V EXCEPT WHERE OTHERWISE INDICATED. BIAS FULLY ANTI-CW TOLERANCE +/- 10%



ISSUE CHANGE NOTE DATE	ISSUE CHANGE NOTE DATE	ISSUE CHANGE NOTE DATE
ISSUE CHANGE NOTE DATE	ISSUE CHANGE NOTE DATE	ISSUE CHANGE NOTE DATE

ORANGE AD30/AD140 Twin Channel FRONT PANEL



Circuit Design by Adrian Emsley

TITLE FRONT PANEL
 PROJECT ORANGE AD30/AD140 Twin Channel
 DRAWING No CDO0133
 ISSUE 1
 DATE 5 SEPTEMBER 2000
 DRAWN BY PAUL STEVENS

TRACE ELLIOT LTD
 BLACKWATER TRADING ESTATE
 MALDON ESSEX CM9 4GG
 GREAT BRITAIN
 TEL (01621) 851851
 FAX (01621) 851875



COMPONENTS USED ARE
 OF AN APPROVED TYPE AND
 MUST BE REPLACED ACCORDINGLY