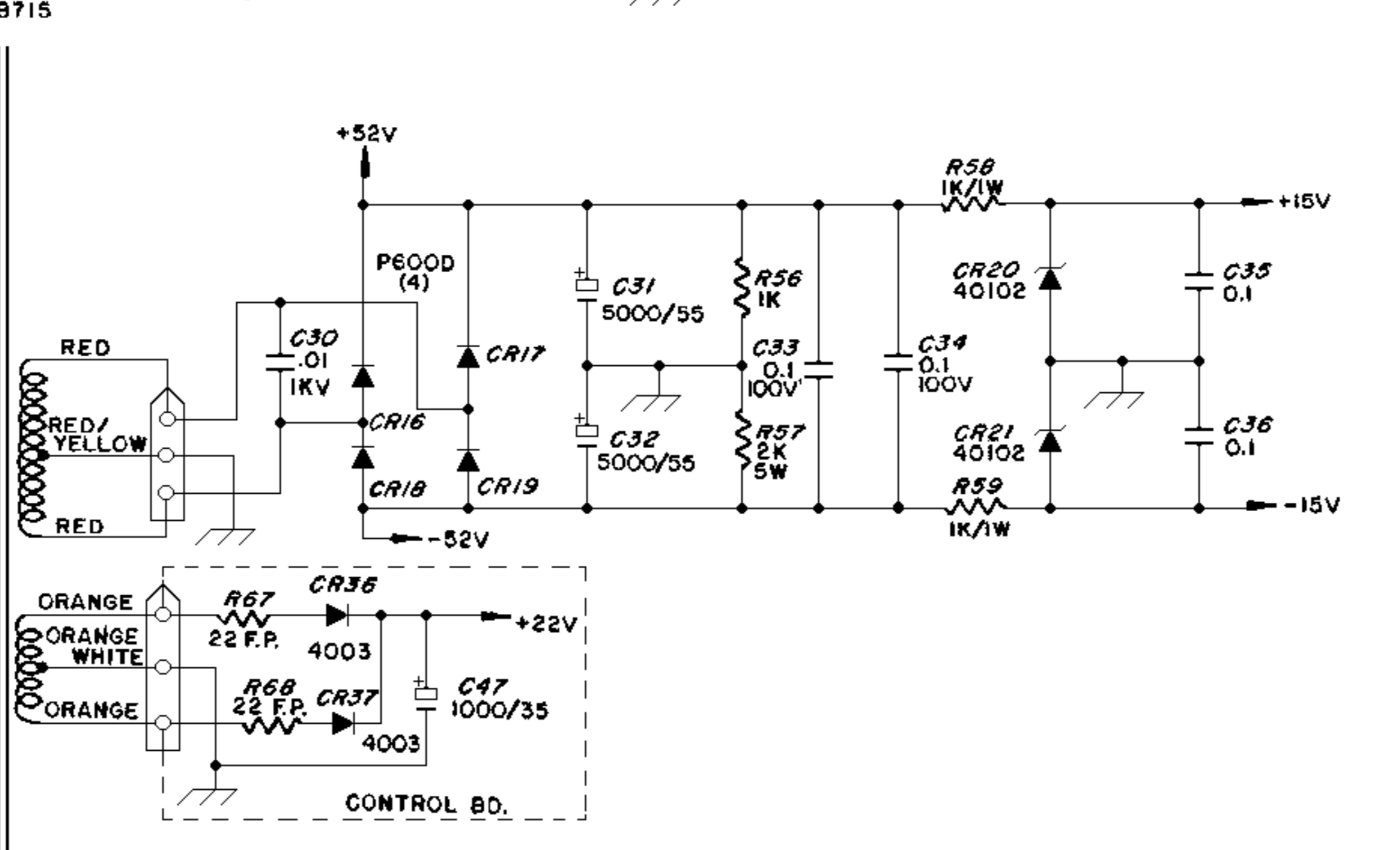
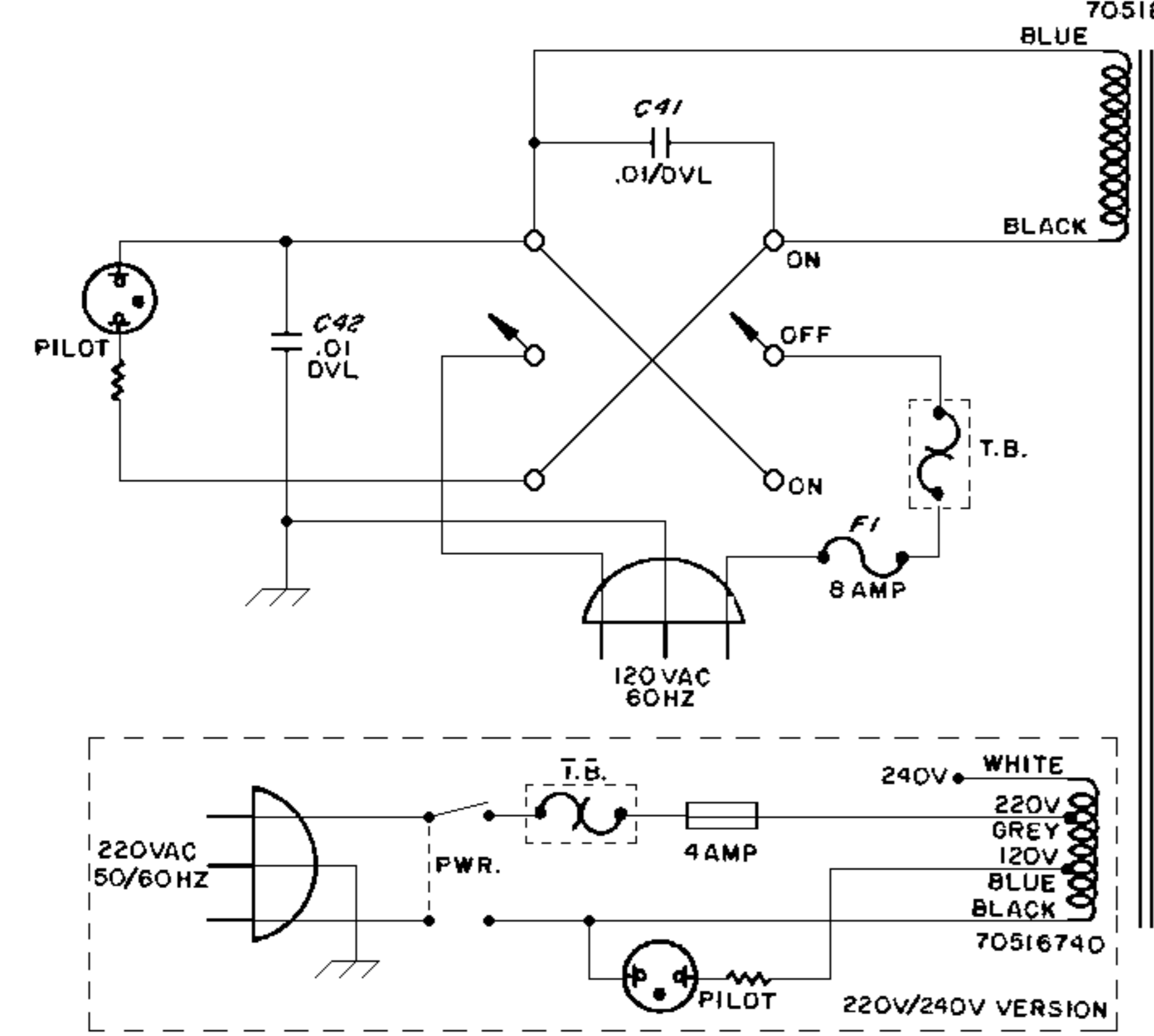


500BH
 (210 POWERED ENCLOSURE)
 DRIVE BD. # 99303130 (3/23/82)

SPEAKERS
 8ΩHM(10")



- NOTES**
 ALL POTS ARE LINEAR UNLESS NOTED
 ALL RESISTORS 1/4W UNLESS NOTED
 ALL RESISTORS IN OHMS UNLESS NOTED
 ALL CAPACITORS IN MFD UNLESS NOTED
 ALL DIODES IN4148 UNLESS NOTED
 LAST REF. DESIGNATOR USED:
 R81 C42 CR24 Q16 U3 J3

PEAVEY ELECTRONICS CORP. MERIDIAN, MS.	
DRAWN BY <i>RS</i>	DATE
C.B. CK. <i>RS</i>	
CK. BY <i>RGS</i>	
APPR. BY <i>JCK</i>	

P/N 81505091