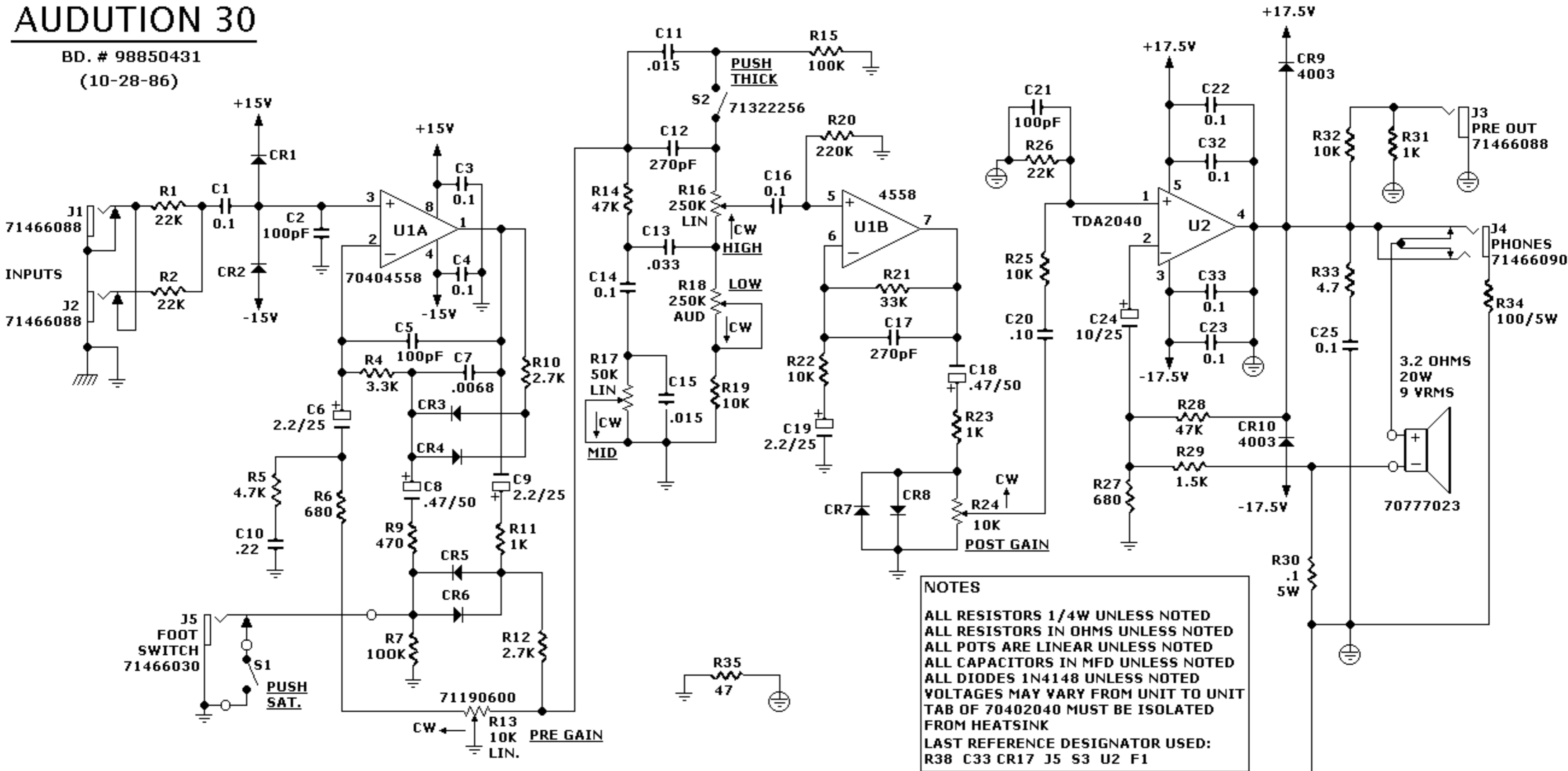


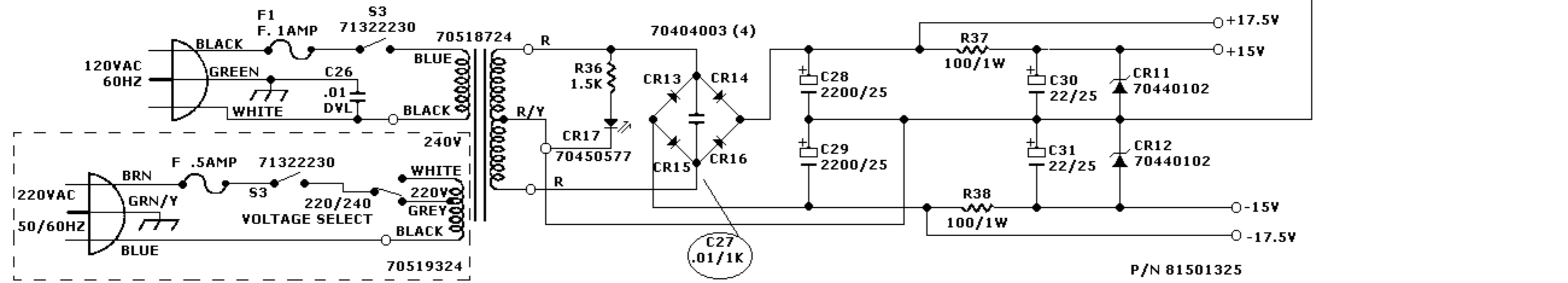
AUDITION 30

BD. # 98850431
(10-28-86)



NOTES

ALL RESISTORS 1/4W UNLESS NOTED
 ALL RESISTORS IN OHMS UNLESS NOTED
 ALL POTS ARE LINEAR UNLESS NOTED
 ALL CAPACITORS IN MFD UNLESS NOTED
 ALL DIODES 1N4148 UNLESS NOTED
 VOLTAGES MAY VARY FROM UNIT TO UNIT
 TAB OF 70402040 MUST BE ISOLATED
 FROM HEATSINK
 LAST REFERENCE DESIGNATOR USED:
 R38 C33 CR17 J5 S3 U2 F1



P/N 81501325