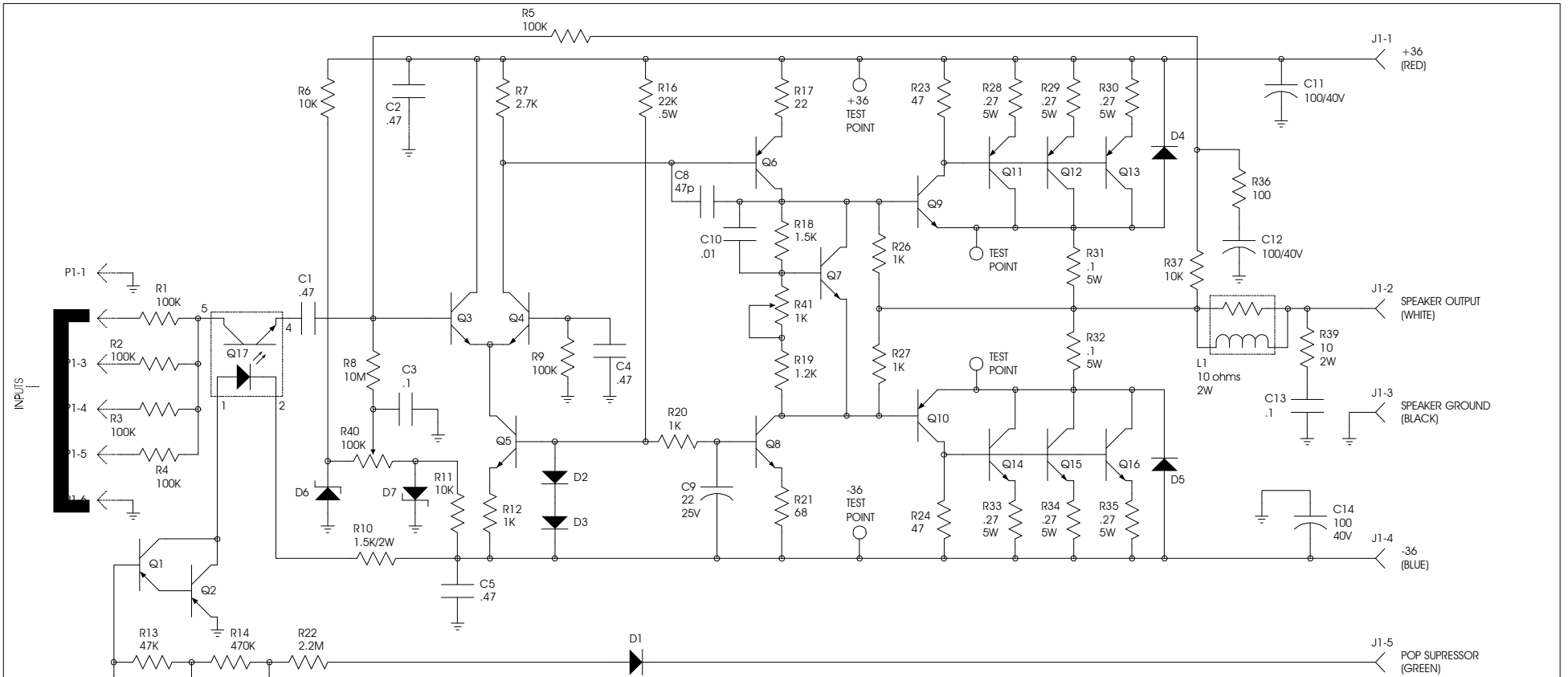


1. ALL RESISTORS IN OHMS AND 0.5W.
2. ALL CAPACITORS IN MICROFARADS UNLESS OTHER PREFIX MARKED, THEN REPLACE PREFIX (MICRO) IN UNIT (MICROFARAD) WITH MARKED PREFIX. ALL CAPACITORS 25V (MINIMUM VOLTAGE RATING) UNLESS MARKED OTHERWISE.
3. ALL VOLTAGES IN VOLTS.
4. ALL POTS, R19 TO R22, 100KB.
5. TRANSISTOR Q1: MPSA13.
6. TRANSISTOR Q2: 2N5088.
7. TRANSISTOR Q3: 2N5086.
8. ZENER DIODE D1: 1N5244B.
9. LAST REFERENCED DESIGNATION ON SCHEMATIC:  
R22, C10, Q3, D1, J4, P3.

<b>RIC</b>		Rickenbacker International Corp.	
		3895 S. Main Street Santa Ana, Ca. 92707 Tel: 714-545-5574 Fax: 714-754-0135	
SCHEMATIC, PREAMP RB30, RB60, AND RB120			
SCALE	NA	CHECKED BY	DRAWN BY
DATE	3/8/89	J. HALL	K. MASCARENHAS
SIZE	B	DRAWING NO 19326	



1. ALL RESISTORS IN OHMS. ALL RESISTORS 0.25W UNLESS MARKED OTHERWISE.
2. ALL CAPACITORS IN MICROFARADS UNLESS OTHER PREFIX MARKED. THEN REPLACE PREFIX (MICRO) IN UNIT (MICROFARAD) WITH MARKED PREFIX. ALL CAPACITORS 25V (MINIMUM VOLTAGE RATING) UNLESS MARKED OTHERWISE.
3. ALL VOLTAGES IN VOLTS.
4. TRANSISTORS Q1, Q2: 2N5086.
5. TRANSISTORS Q3, Q4: 2N5210.
6. TRANSISTOR Q5: MPSA06.
7. TRANSISTOR Q6: MPSU56.
8. TRANSISTOR Q7: TIP41B.
9. TRANSISTOR Q8: MPSU06.
10. TRANSISTOR Q9: E15030.
11. TRANSISTOR Q10: E15031.
12. TRANSISTORS Q11, Q12, Q13: TIP36C.
13. TRANSISTORS Q14, Q15, Q16: TIP35C.
14. IC Q17: 4N28.
15. DIODE D1: 1N4148.
16. DIODES D2, D3, D4, D5: 1N4002.
17. ZENER DIODES D6, D7: 1N5244B.
18. LABEL(S) NOT USED: R25, R38.
19. LAST REFERENCED DESIGNATION ON SCHEMATIC:  
R41, C14, Q17, D7, L1, P1, J1.

**RIC** Rickenbacker International Corp.  
 3895 S. Main Street  
 Santa Ana, Ca. 92707  
 Tel: 714-545-5574 Fax: 714-754-0135

**SCHEMATIC, POWER AMP RG180, RB120**

SCALE	NA	CHECKED BY	DRAWN BY
DATE	2/27/89	J. HALL	K. MASCARENHAS
SIZE	DRAWING NO		19333
B			