

* VALUE OF COMPONENTS
R26, R42, AND C29
FOR MODELS
RG7, RG15, RG30, AND RG60

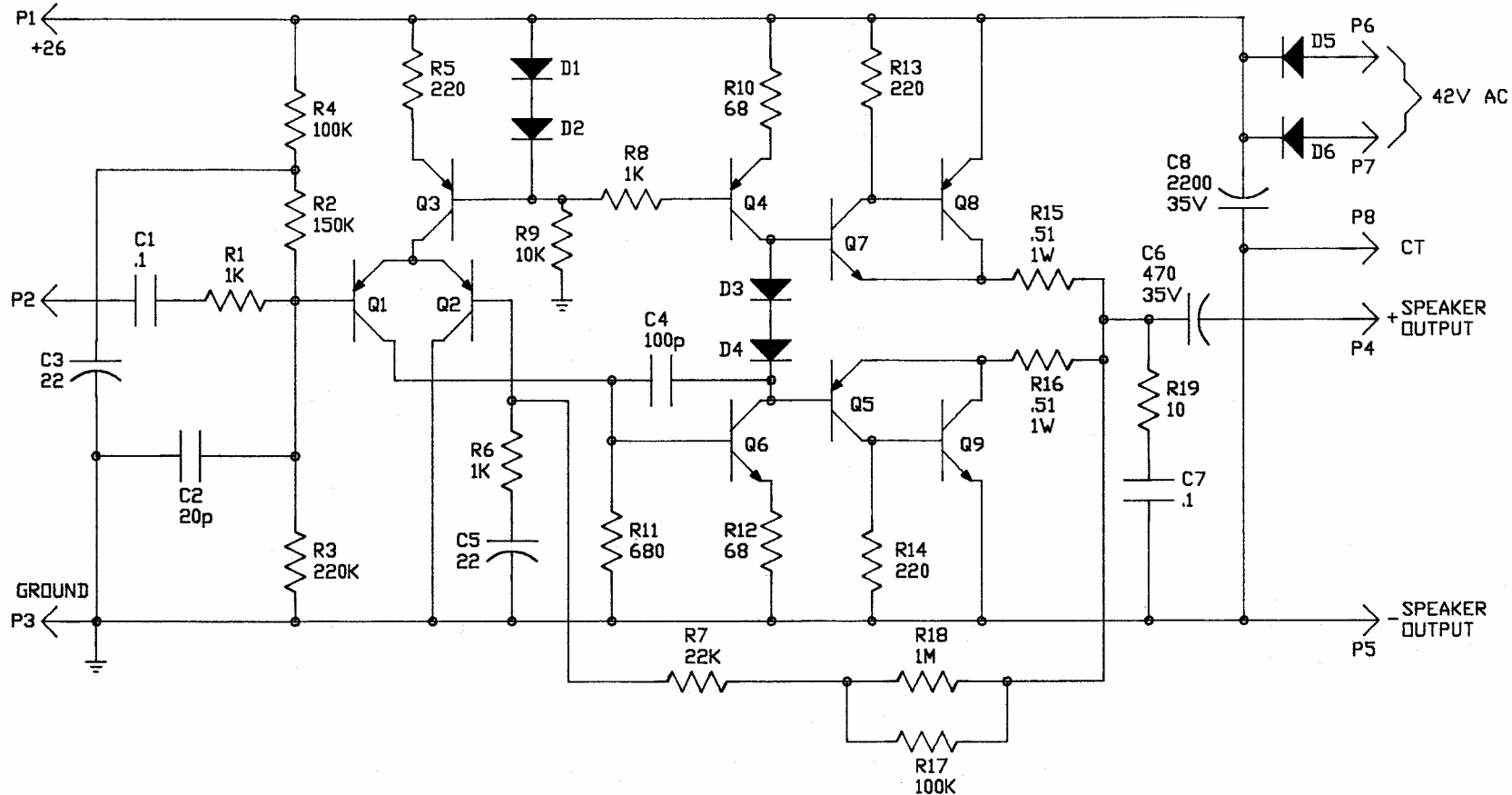
	RG7	RG15	RG30, RG60
R26	270K	68K	47K
R42	150	560	2.7K
C29	2200	2200	470
	35V	35V	35V

1. ALL RESISTORS IN OHMS AND EITHER 0.25W OR 0.5W.
2. ALL CAPACITORS IN MICROFARADS UNLESS OTHER PREFIX MARKED, THEN REPLACE PREFIX (MICRO) IN UNIT (MICROFARAD) WITH MARKED PREFIX. ALL CAPACITORS 25V (MINIMUM VOLTAGE RATING) UNLESS MARKED OTHERWISE.
3. ALL 2.2 MICROFARAD CAPACITORS CAN BE 3.3 MICROFARADS.
4. ALL VOLTAGES IN VOLTS.
5. ALL POTS, R43 TO R49: 100KB.
6. IC'S Q6, Q5: LM1458N.
7. TRANSISTORS Q1, Q3: 2N5088.
8. TRANSISTOR Q2: 2N5462.
9. TRANSISTOR Q4: MPSA56.
10. DIODE D1: 1N4002
11. LAST REFERENCED DESIGNATION ON SCHEMATIC: R51, C30, Q6, D1, J11, P10.
12. PARTS IN DOTTED BOX NOT USED IN MODEL RG7 (EXCEPT Q6B). IN RG7 CONNECT Q6B PINS 6 AND 7.
13. OPTIONAL CAPACITORS, C31 AND C32, FOR RF STABILITY MAY BE PLACED ACROSS TERMINALS 4 AND 8 OF IC'S Q5 AND/OR Q6 RESPECTIVELY. C31 AND C32 ARE 1 MICROFARAD AND EITHER CERAMIC OR TANTALUM.


Rickenbacker International Corp.
3895 S. Main Street
Santa Ana, Ca. 92707
Tel: 714-545-5574 Fax: 714-754-0135

SCHEMATIC, PREAMP RG7, RG15, RG30, RG60

SCALE	NA	CHECKED BY	DRAWN BY
DATE	2/22/89	J. HALL	K. MASCARENHAS
SIZE		DRAWING NO	
B		19327	



1. ALL RESISTORS IN OHMS. ALL RESISTORS 0.5W UNLESS MARKED OTHERWISE.
2. ALL CAPACITORS IN MICROFARADS UNLESS OTHER PREFIX MARKED, THEN REPLACE PREFIX (MICRO) IN UNIT (MICROFARAD) WITH MARKED PREFIX. ALL CAPACITORS 25V (MINIMUM VOLTAGE RATING) UNLESS MARKED OTHERWISE.
3. ALL VOLTAGES IN VOLTS.
4. TRANSISTORS Q1, Q2, Q3: 2N5086.
5. TRANSISTORS Q4, Q5: MPSA56.
6. TRANSISTORS Q6, Q7: MPSA06.
7. TRANSISTOR Q8: 2N4918.
8. TRANSISTOR Q9: 2N4921.
9. DIODES D1, D2, D3, D4, D5, D6: 1N4002.
10. LAST REFERENCED DESIGNATION ON SCHEMATIC: R19, C8, Q9, D6, P8.

		Rickenbacker International Corp. 3895 S. Main Street Santa Ana, Ca. 92707 Tel: 714-545-5574 Fax: 714-754-0135	
		SCHEMATIC, POWER AMP RG7	
SCALE	NA	CHECKED BY	DRAWN BY
DATE	3/10/89	J. HALL	K. MASCARENHAS
SIZE	B	DRAWING NO 19324	