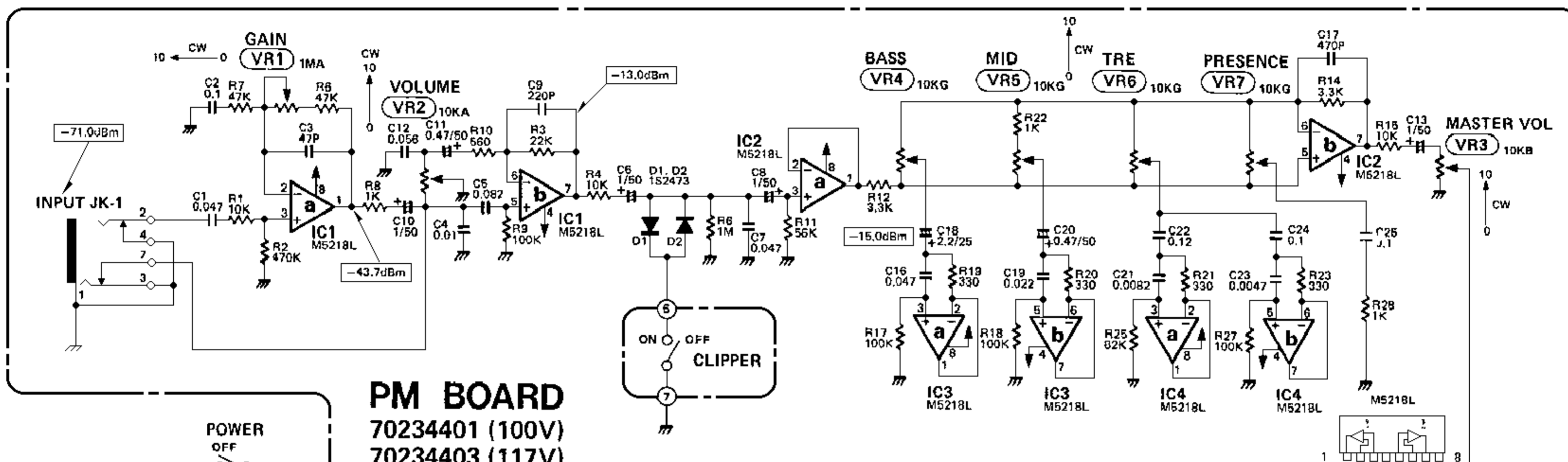
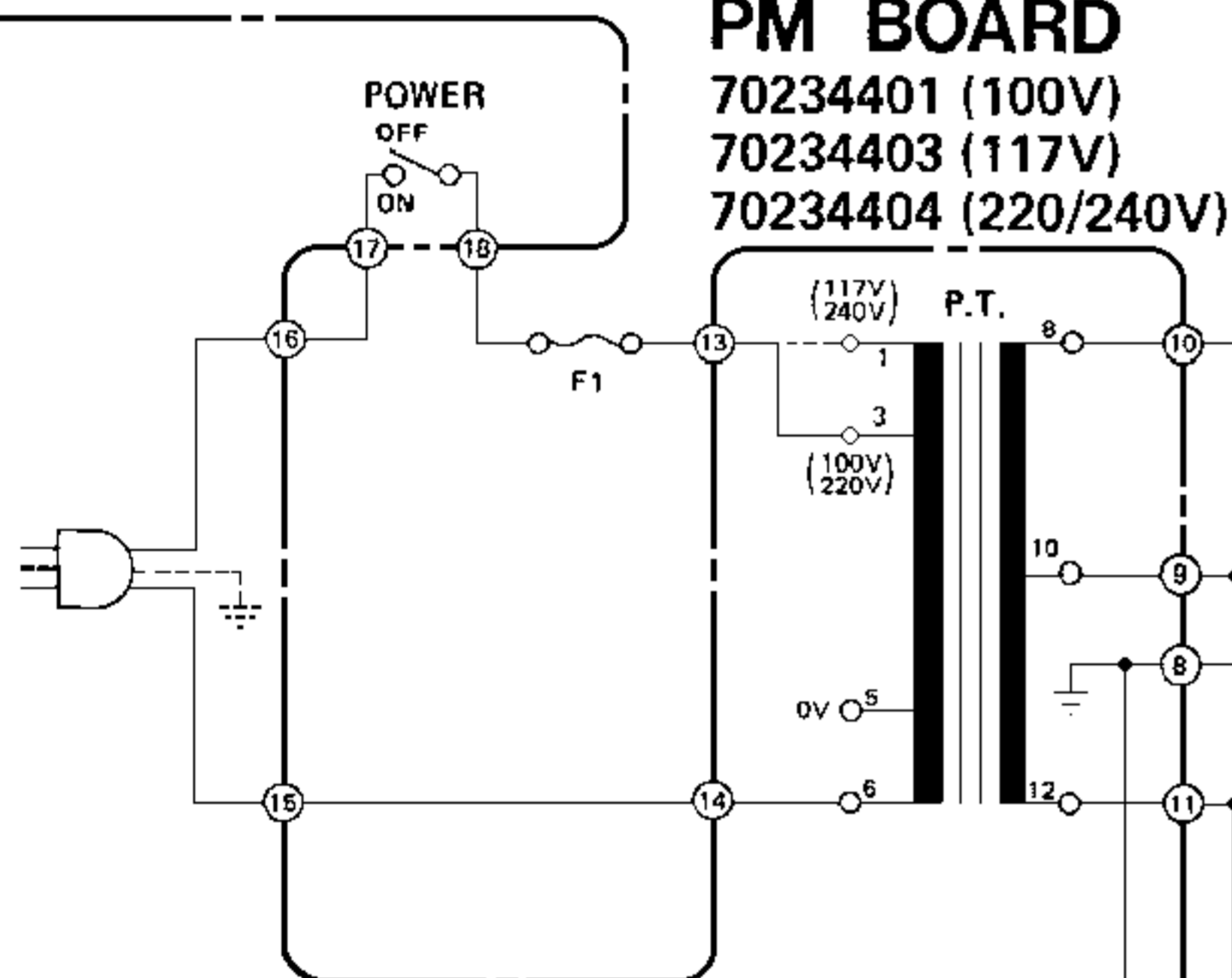


SERIAL NO.	VR1	R6	R7	C2	C3
600100-623099	1MA	47K	47K	0.1	47P
633100-UP	100KA	4.7K	3.3K	1/50	470P

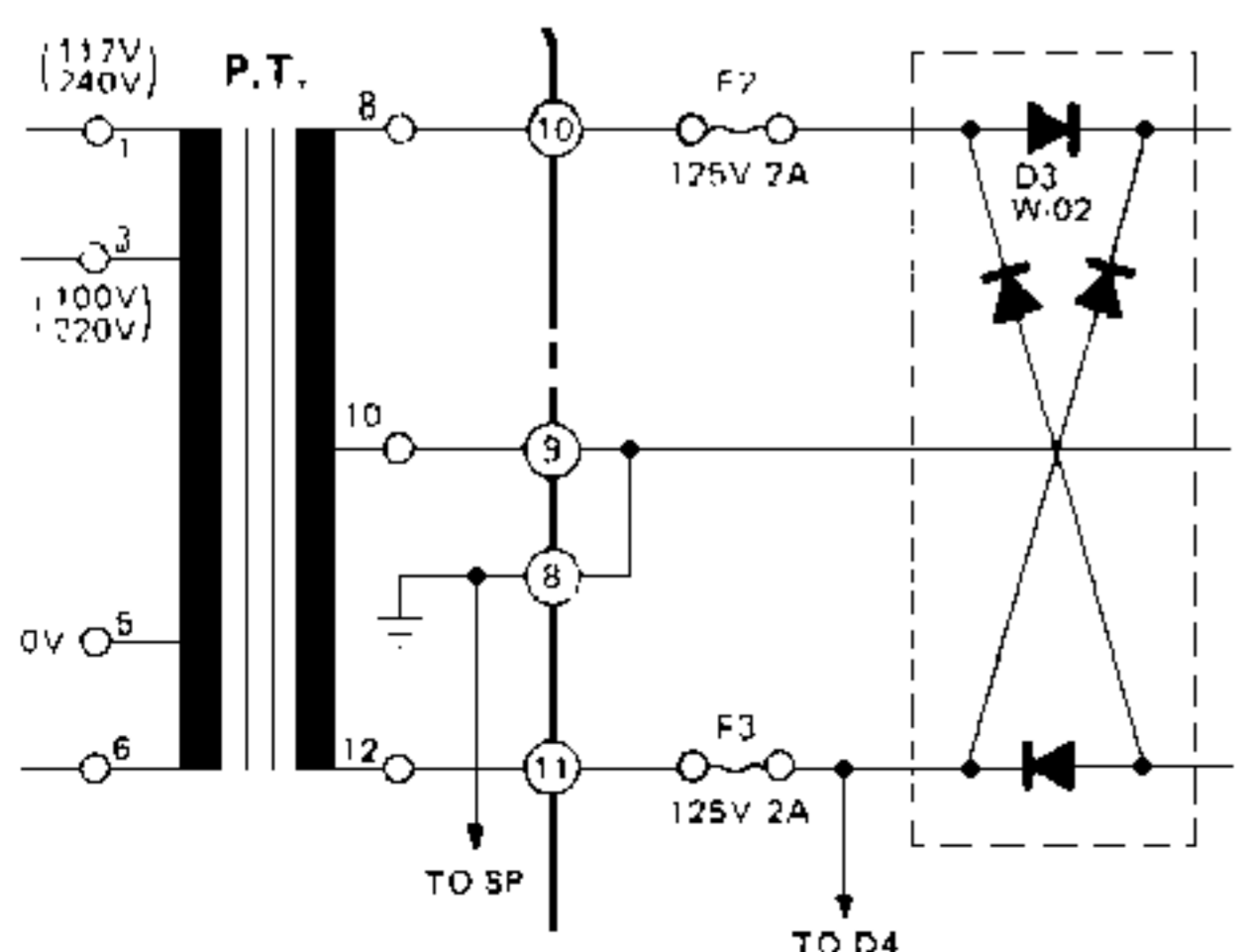
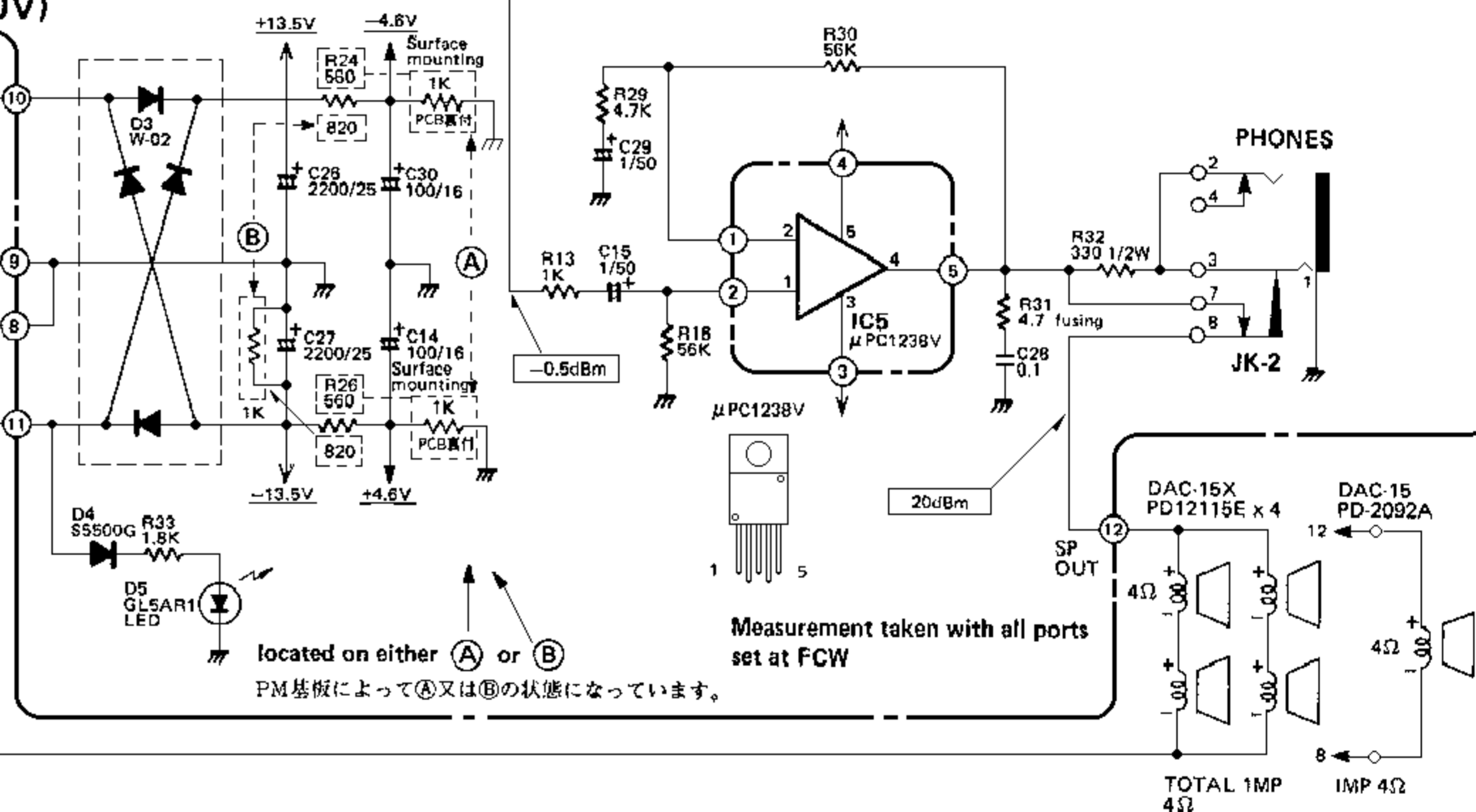


PM BOARD

70234401 (100V)
70234403 (117V)
70234404 (220/240V)



Secondary Winding Ratings (DC)
14V x 2 0.88A 2200μF INPUT



117V

	100V	117V	220V 240V
F1	SGC 1A	SGC 1A	CEE-T500mA
F2	JUMPER	SGC 2A	JUMPER
F3	JUMPER	SGC 2A	JUMPER
P.T.	245-439N0	245-939N0	245-441D0