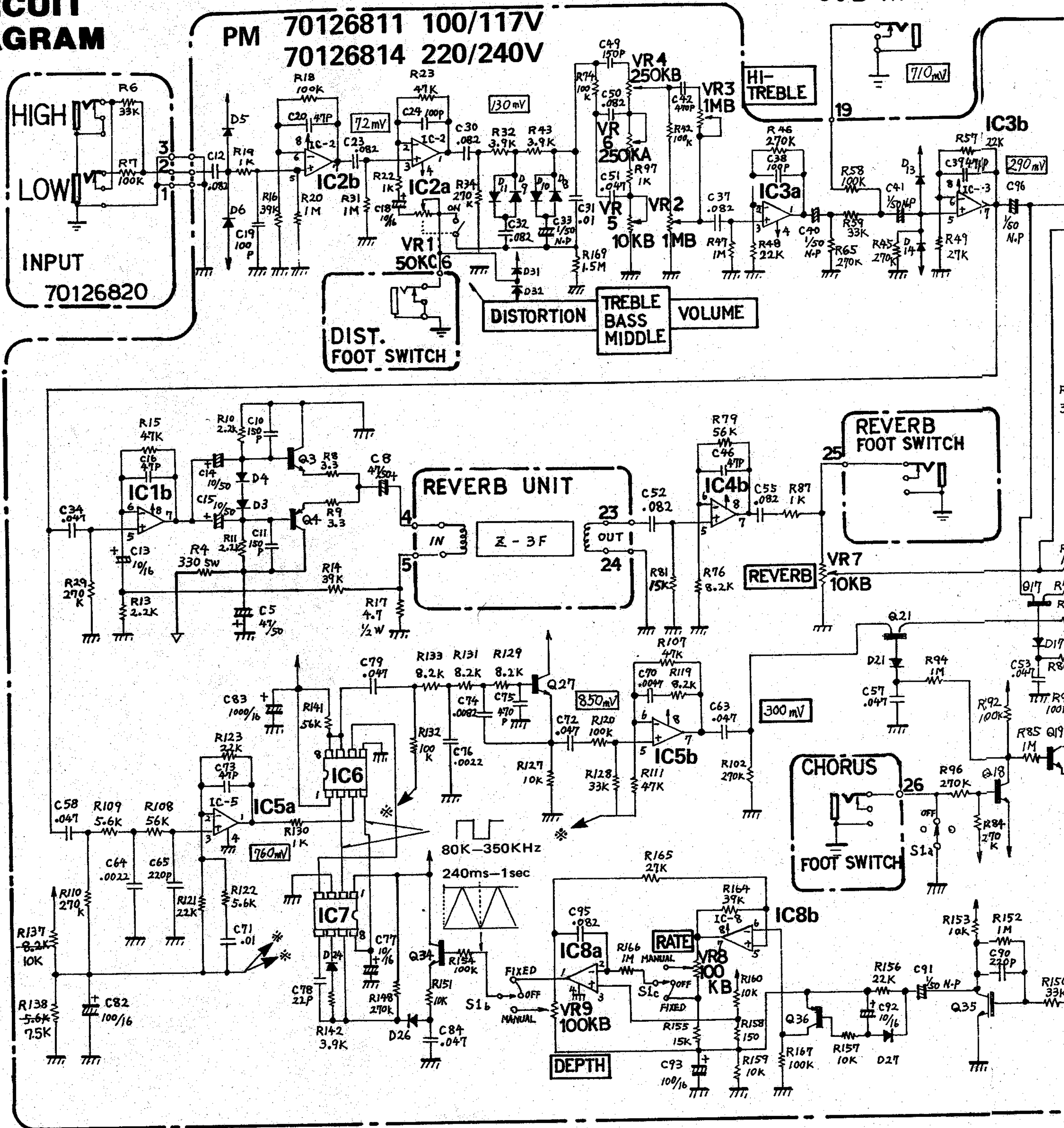


# CIRCUIT DIAGRAM

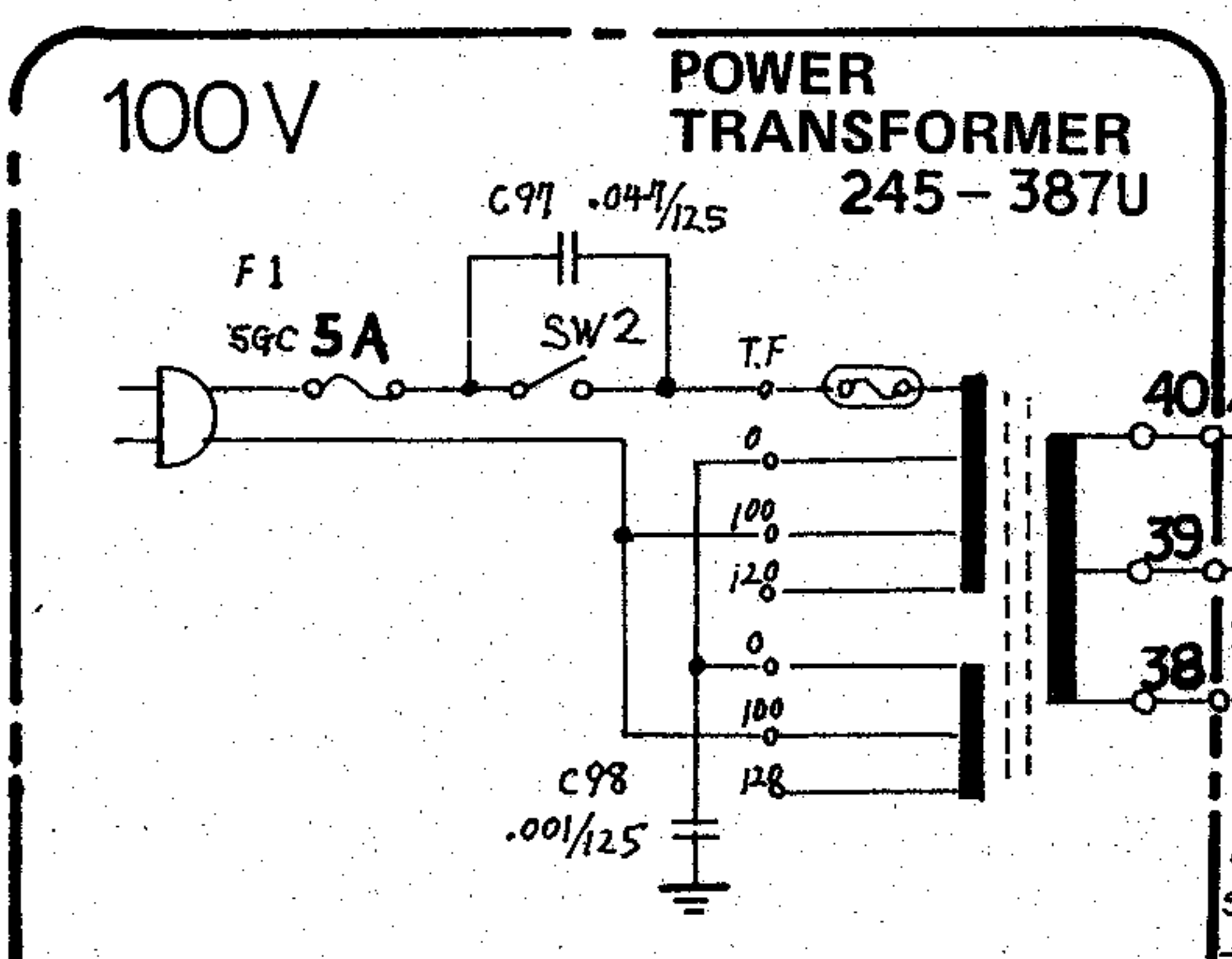
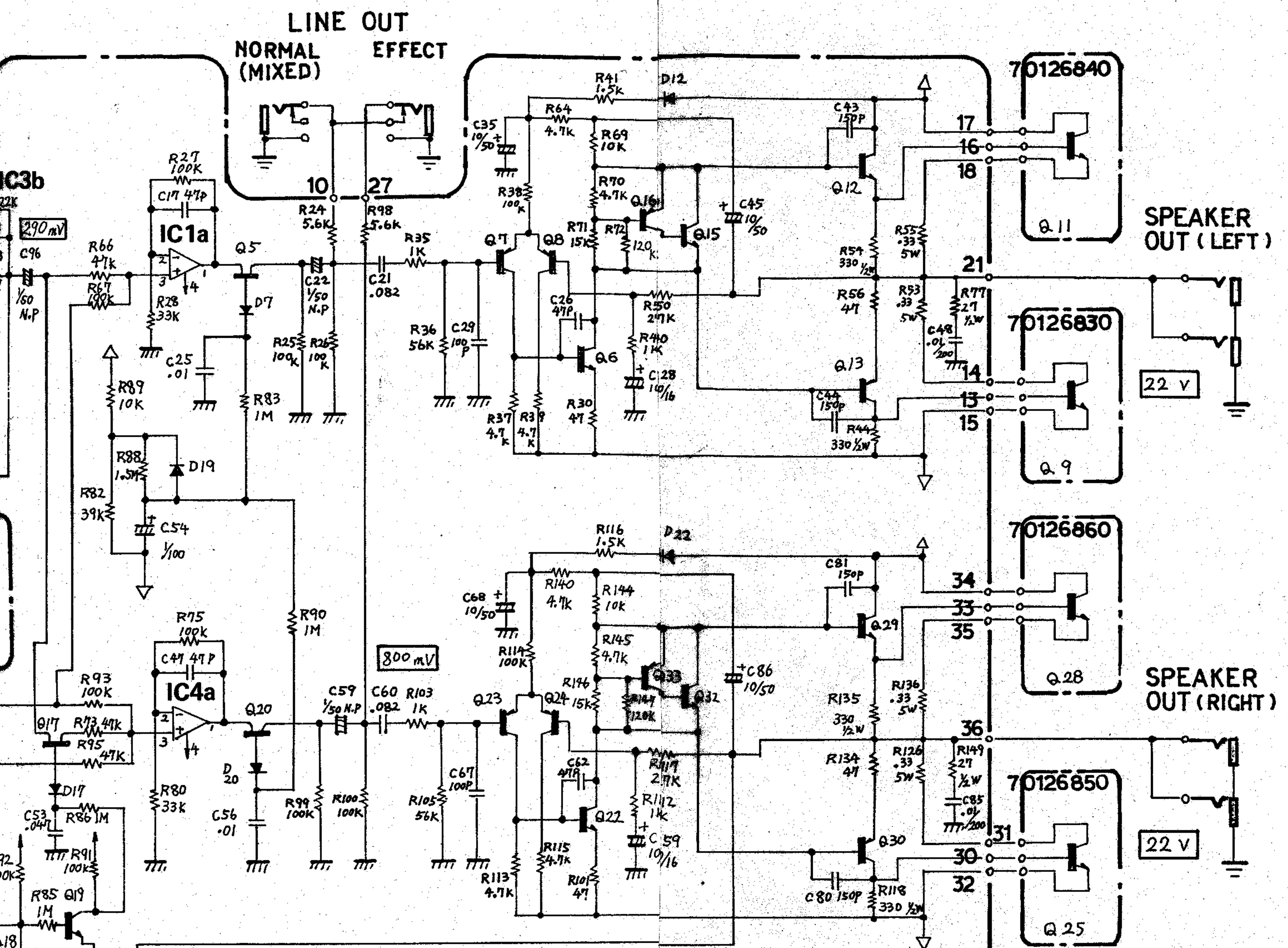


- |                       |                                 |  |                             |
|-----------------------|---------------------------------|--|-----------------------------|
| IC1, 5, 8             | M5218L (or NJM4558S or LA6458S) | D1, 2  | RD16E2                      |
| IC6                   | MN3007                          | D3-11, 13, 14, 17, 18,                         |                             |
| IC7                   | MN3101                          | 20, 21, 24, 26, 27, 31, 32                     | 1S2473 (or 1S1588 or DS442) |
| Q2                    | 2SB647-C (or 2SB649A-C)         | D12, 19, 22, 28                                | S5500G (or 1N4003)          |
| Q1, 3, 12, 29         | 2SD669A-C                       | D29  | GL-5AR1                     |
| Q4, 13, 30            | 2SB649A-C                       | D30  | KBPC-802                    |
| Q6, 22                | 2SC2229-Y (or 2SD668A-C)        | *Signal Voltages (rms) Taken Under Conditions: |                             |
| Q7, 8, 16, 23, 24, 33 | 2SA970-GR                       | Input  | .1KHz sine                  |
| Q9, 11, 25, 28        | 2SD845 (or 2SC2773-O)           | Equalizer                                      | BASS . . . . . FCW          |
| Q15, 32               | 2SC2240-GR                      |  | MIDDLE . . . . . FCW        |
| Q18, 19, 27, 34, 35   | 2SC945-Q                        |  | TREBLE . . . . . FCW        |
| Q36                   | 2SA1015-Y (or 2SA1015-GR)       |  | Hi-TREBLE . . . . . FCW     |
| Q5, 17, 20, 21        | 2SK117-GR (or 2SK117-Y)         |  | ECCW                        |

117

A B C D E F G H I J K L M N O P Q R S T U V W X Y Z





Secondary Winding Ratings(DC):  
 33.5V x 2 @3.2A

