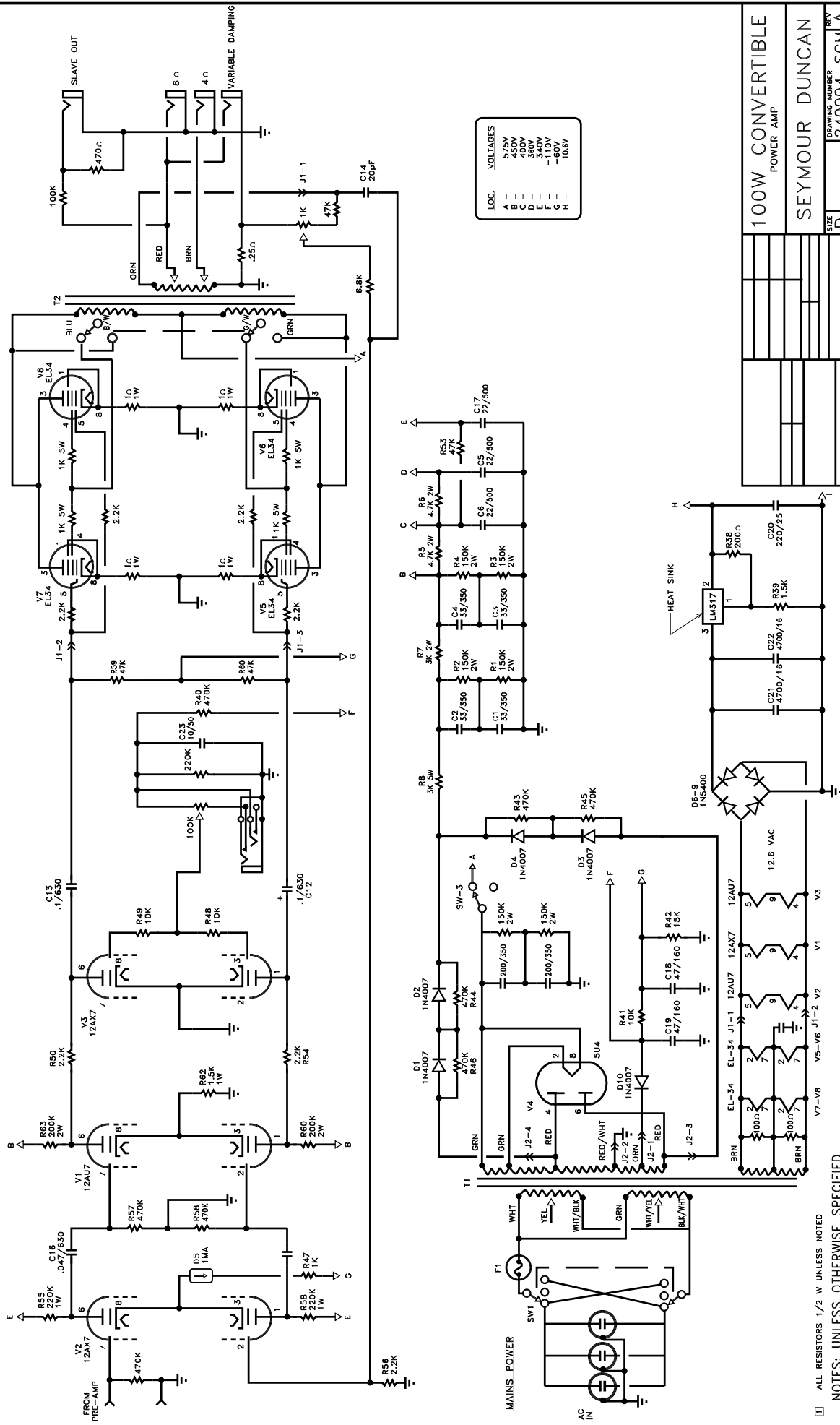


100W CONVERTIBLE PRE-AMP	
SEYMOUR DUNCAN	
REV	D
REV. NUMBER	240004
SCALE	A

ALL POT. CIPES CONNECTED TO PCB GROUND  
 ALL RESISTORS 1/2 W AND 5% UNLESS OTHERWISE NOTED  
 NOTES: UNLESS OTHERWISE SPECIFIED



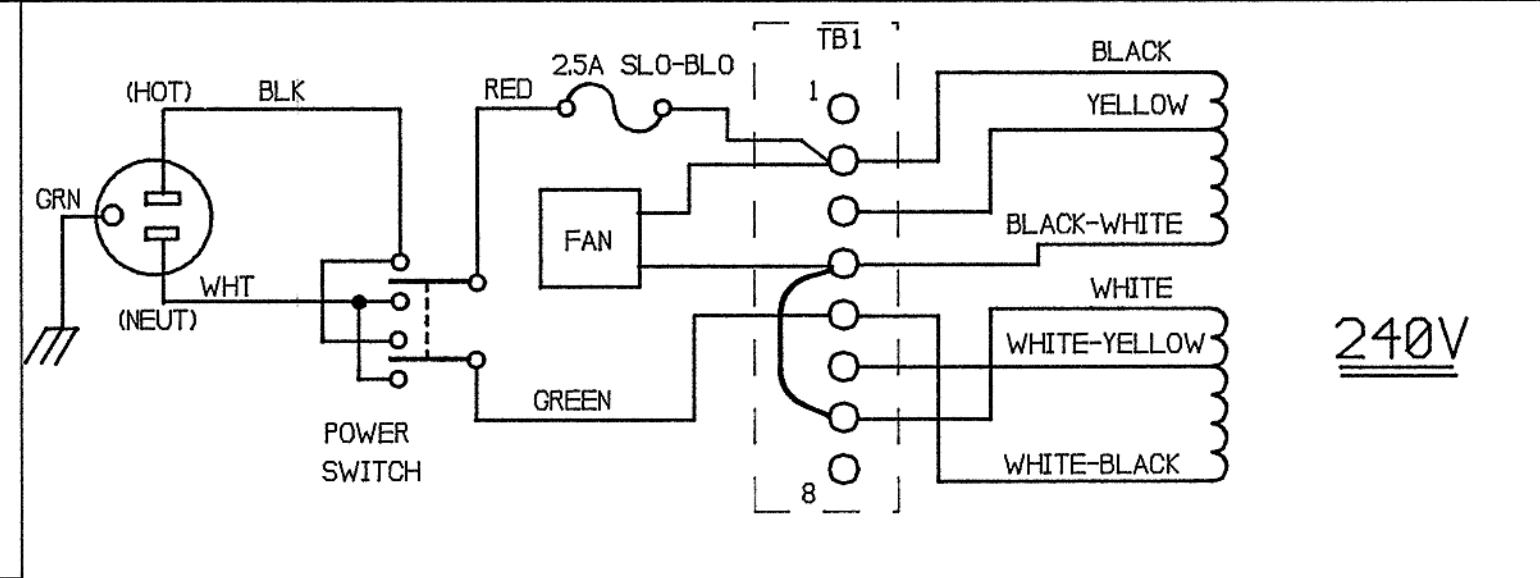
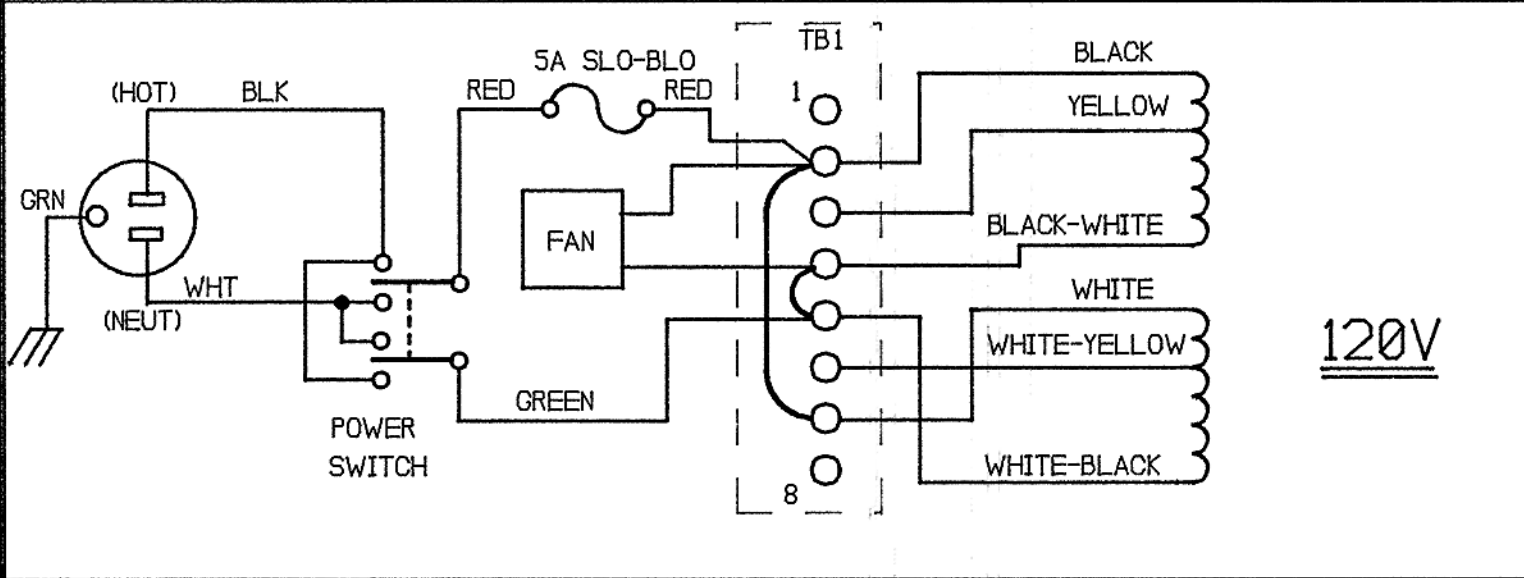
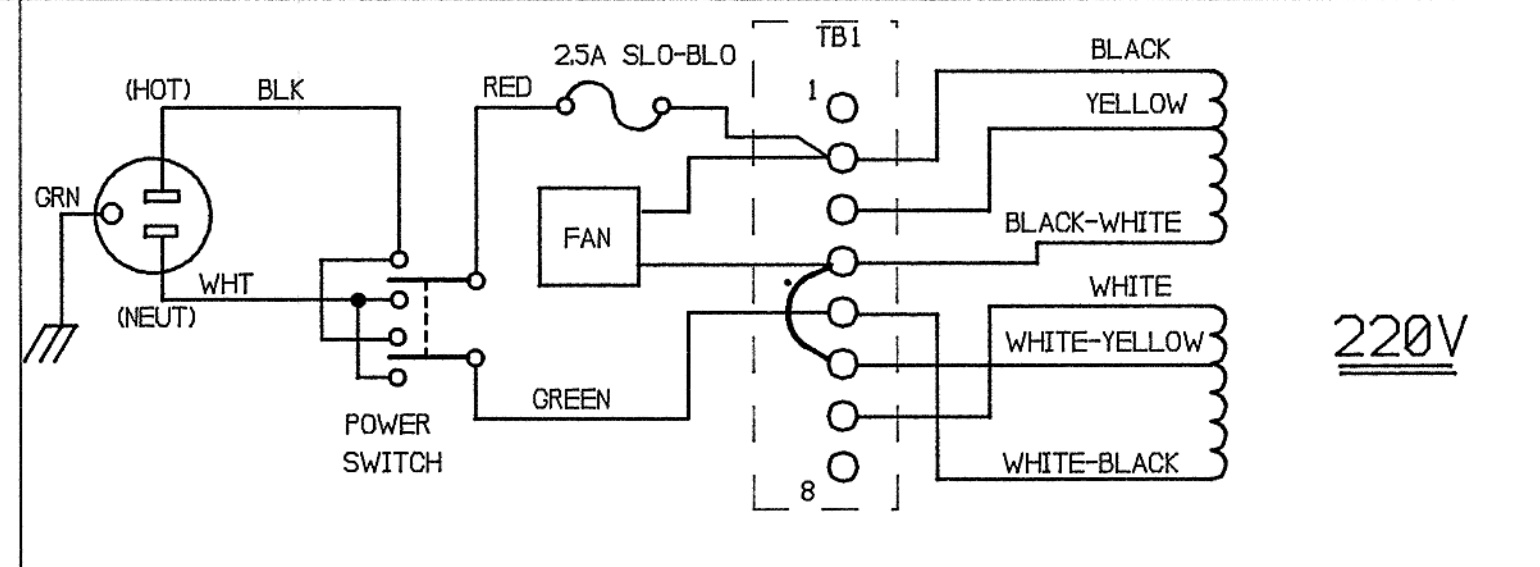
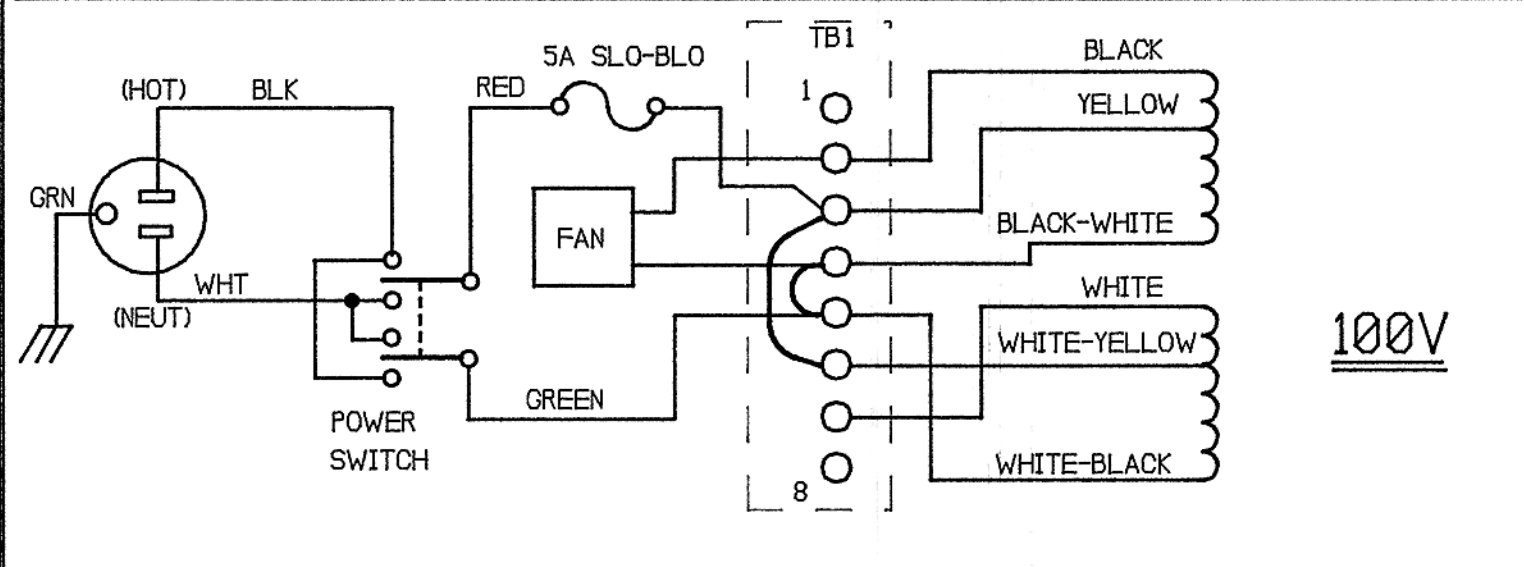
LOC.	VOLTAGES
A	275V
B	400V
C	360V
D	100V
E	-110V
F	-60V
G	-
H	10.6V

100W CONVERTIBLE  
POWER AMP  
SEYMOUR DUNCAN

SIZE D  
DRAWING NUMBER 240004-SCM A  
SCALE

ALL RESISTORS 1/2 W UNLESS NOTED  
NOTES: UNLESS OTHERWISE SPECIFIED

REVISIONS			
REV	DESCRIPTION	DATE	APPR



NOTES: UNLESS OTHERWISE SPECIFIED

INTERPRET DRAWING PER ANSI Y14  
 DIMENSIONS ARE IN INCHES AND APPLY AFTER PLATING  
 BREAK SHARP EDGES

DWN	J F PARSONS	DATE	03/30/93
CHECK			
PROJ ENGR	KEVIN BELLER	DATE	3/30/93
APPR			
NEXT ASSY		USED ON	
THIS DOCUMENT CONTAINS PROPRIETARY INFORMATION. IT MAY NOT BE REPRODUCED OR TRANSFERRED TO OTHER DOCUMENTS OR DISCLOSED TO OTHERS USED FOR MANUFACTURING OR ANY OTHER PURPOSE WITHOUT PRIOR WRITTEN PERMISSION.			

SEYMOUR DUNCAN RESEARCH			
POWER TRANSFORMER PRIMARY CONN'S, 100W CONVERTIBLE			
POST DOCUMENTATION FOR ORIGINAL MODEL			
SIZE		DRAWING NUMBER	REV
B		240005-XXX	99
SCALE	1X	SHEET	OF