

V1 - V4: ECC83/12AX7

V5 - V8: EL34

Channels 2 and 3 are similar to ch. 1.

### IMPACT 100W Amplifier Schematic.

Drawn by Sixten Forsén, EDGAR Audio. <http://www.edgaraudio.se> 2002-12-27

All values from amp with serial number 1017-5068PA

This is an English musical instrument amp, probably manufactured in the late 60's.

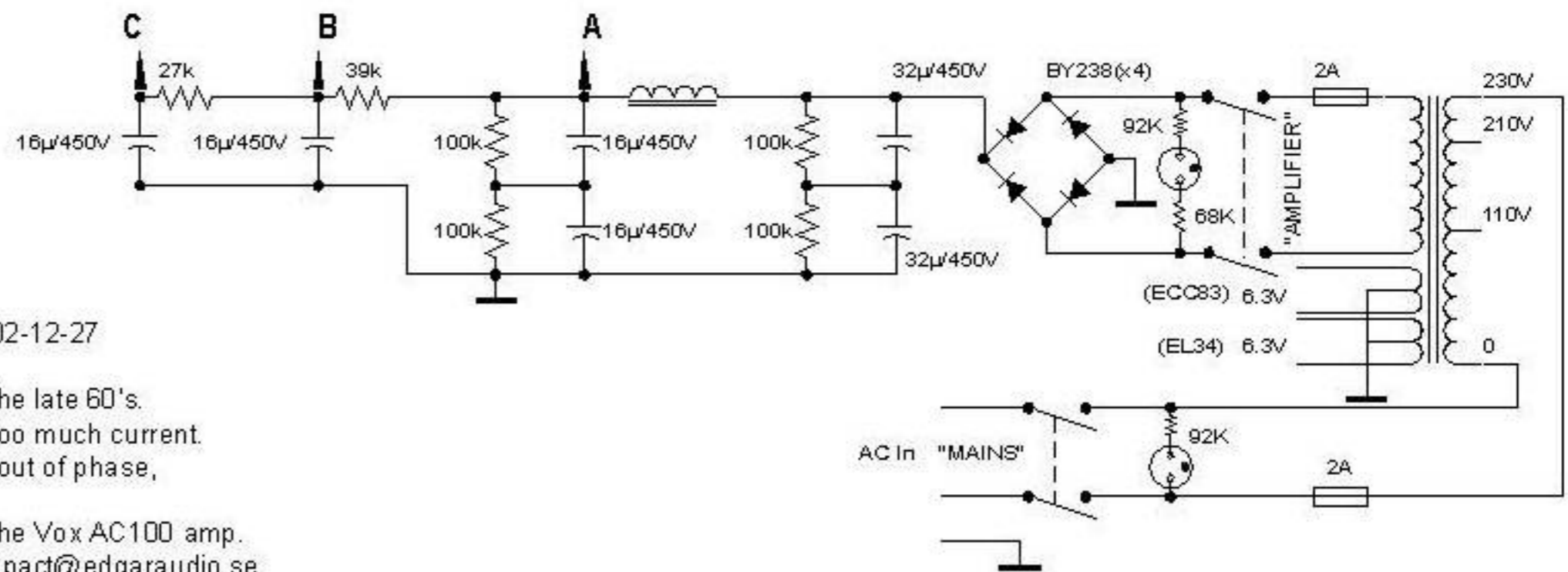
It does NOT work properly this way! The power tubes are pulling way too much current.

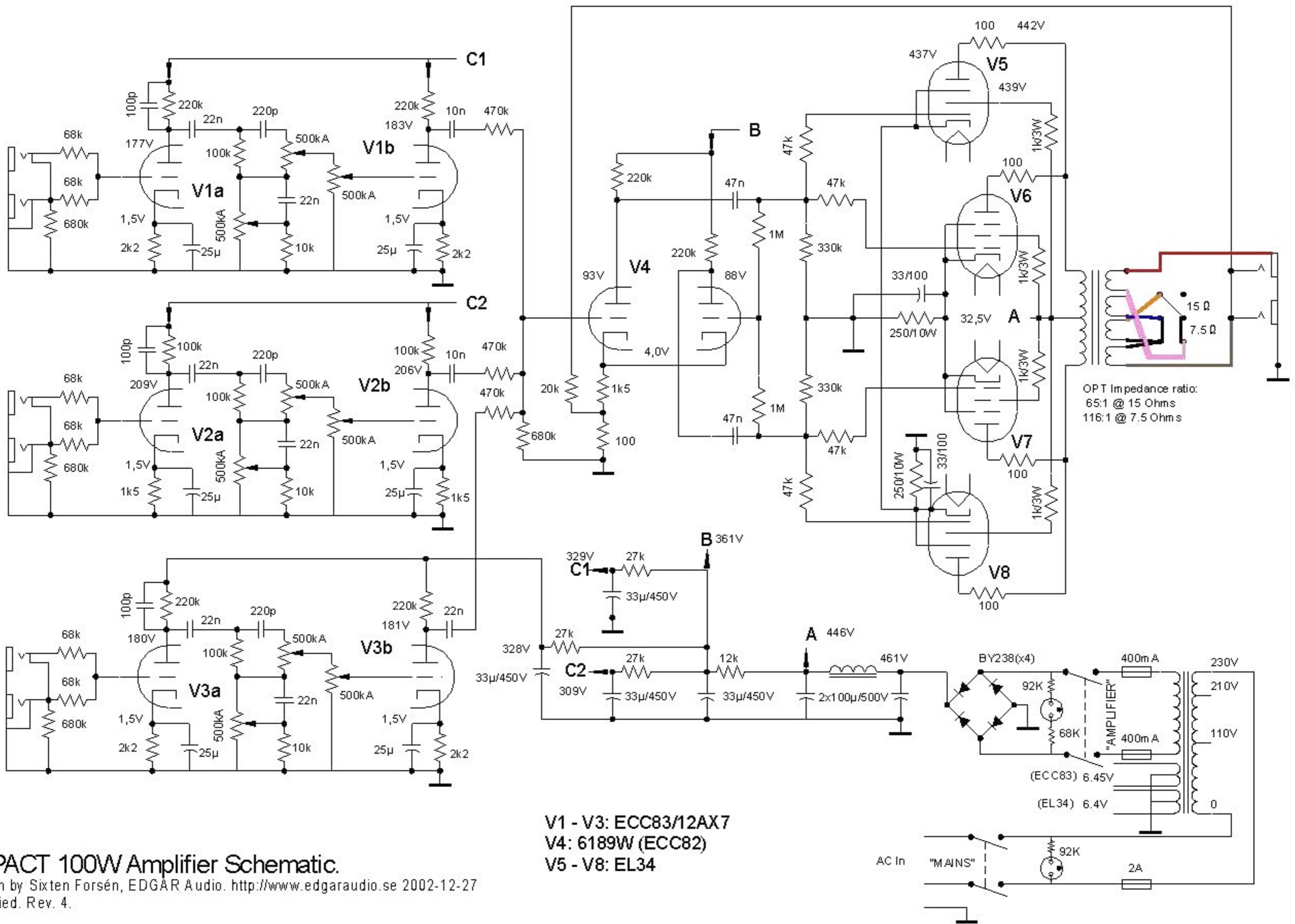
In this amp, the top 1/4 secondary winding of the OPT was connected out of phase,

making the impedance ratios far from what they should be.

The power amp section is almost exactly a copy of the first version of the Vox AC100 amp.

Please e-mail me if you know anything about IMPACT Amps! <mailto:impact@edgaraudio.se>





OPT Impedance ratio:  
 65:1 @ 15 Ohms  
 116:1 @ 7.5 Ohms

V1 - V3: ECC83/12AX7  
 V4: 6189W (ECC82)  
 V5 - V8: EL34

**IMPACT 100W Amplifier Schematic.**  
 Drawn by Sixten Forsén, EDGAR Audio. <http://www.edgaraudio.se> 2002-12-27  
 Modified. Rev. 4.