

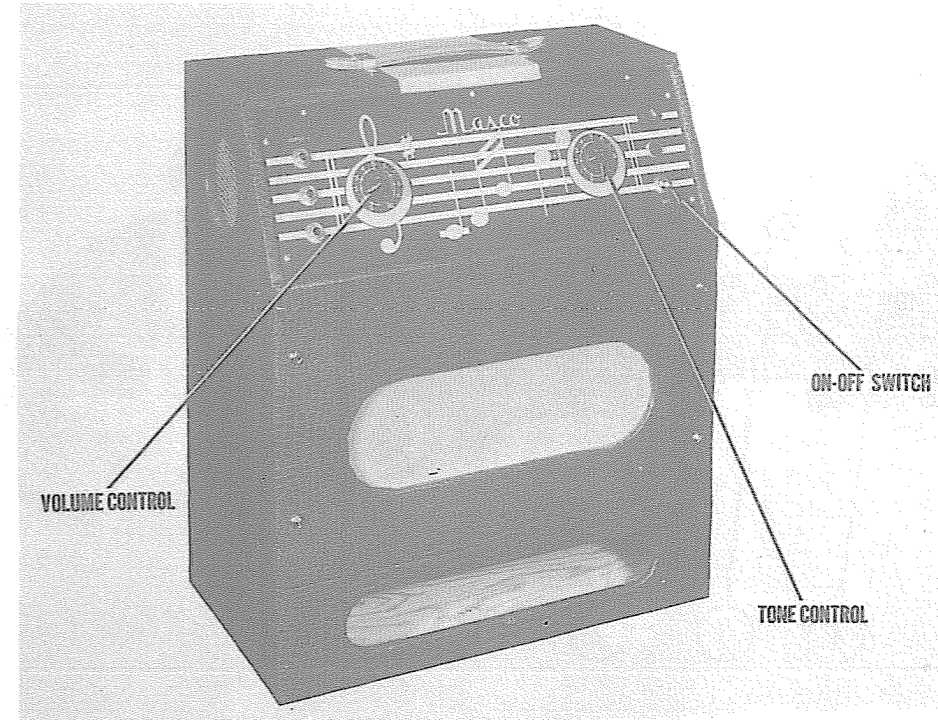
A PHOTOFACT STANDARD NOTATION SCHEMATIC
© Howard W. Sams & Co., Inc. 1947

THE COOPERATION OF THE MANUFACTURER OF THIS RECEIVER MAKES IT POSSIBLE TO BRING YOU THIS SERVICE 4716-19

PHOTOFACT* Folder

MASCO
MODEL MAP-15

MASCO
MODEL MAP-15



MASCO MODEL MAP-15

TRADE NAME	Masco, Model MAP-15
MANUFACTURER	Mark Simpson Co., 32-28 49th St., Long Island City, N.Y.
TYPE SET	AC Operated 3 Channel 5 Tube Amplifier with Speaker
TUBES (FIVE)	Types, 6SL7 or 7F7 AF Amp., 6SL7 or 7F7 AF Amp.-Phase Inv., (2) 6L6GA Power Output, 5Y3GT Rectifier.
POWER SUPPLY	110-120 Volts AC
RATING	.900 Amp. @ 117V AC

VOLTAGE READINGS

Item	Tube	Pin 1	Pin 2	Pin 3	Pin 4	Pin 5	Pin 6	Pin 7	Pin 8
1	6SL7	0V.	70VDC	.9VDC	0V.	70VDC	0V.	6.6VAC	0V.
2	6SL7	0V.	122VDC	1.5VDC	0V.	125VDC	1.5VDC	6.6VAC	0V.
3	6L6GA	0V.	0V.	320VDC	320VDC	0V.	0V.	6.6VAC	25VDC
4	6L6GA	0V.	0V.	320VDC	320VDC	0V.	0V.	6.6VAC	25VDC
5	5Y3GT	0V.	340VDC	0V.	335VAC	0V.	335VAC	0V.	340VDC

RESISTANCE READINGS

Item	Tube	Pin 1	Pin 2	Pin 3	Pin 4	Pin 5	Pin 6	Pin 7	Pin 8
1	6SL7	100KΩ	330KΩ	2KΩ	15 Meg.	330KΩ	0Ω	.1Ω	0Ω
2	6SL7	520KΩ	320KΩ	1KΩ	12KΩ	320KΩ	1KΩ	.1Ω	0Ω
3	6L6GA	INF.	0Ω	90KΩ	90KΩ	550KΩ	INF.	.1Ω	200Ω
4	6L6GA	0Ω	0Ω	90KΩ	90KΩ	520KΩ	INF.	.1Ω	200Ω
5	5Y3GT	INF.	90KΩ	INF.	54Ω	INF.	50Ω	INF.	90KΩ

RESISTANCE READINGS IN THE B+ CIRCUITS MAY VARY WIDELY ACCORDING TO THE CONDITION OF THE FILTER CAPACITORS

- DC Voltage measurements are at 20,000 ohms per volt; AC Voltages measured at 1,000 ohms.
- Socket connections are shown as bottom views.
- Measured values are from socket pin to common negative.
- Line voltage maintained at 117 volts for voltage readings.
- Nominal tolerance on component values makes possible a variation of ±15% in voltage and resistance readings.
- Volume control at maximum, no signal applied for voltage measurements.

HOWARD W. SAMS & CO., INC. • 2924 East Washington Street • Indianapolis 6, Indiana

"The listing of any available replacement part herein does not constitute in any case a recommendation, warranty or guaranty by Howard W. Sams & Co., Inc., as to the quality and suitability of such replacement part. The numbers of these parts have been compiled from information furnished to Howard W. Sams & Co., Inc., by the manufacturers of the particular type of replacement part listed." "Reproduction or use, without express permission, of editorial or pictorial con-

tent, in any manner, is prohibited. No patent liability is assumed with respect to the use of the information contained herein. Copyright 1947 by Howard W. Sams & Co., Inc., Indianapolis, Indiana, U. S. A. Copyright under International Copyright Union. All rights reserved under Inter-American Copyright Union (1910) by Howard W. Sams & Co., Inc." Printed in U. S. of America

MASCO
MODEL MAP-15

PARTS LIST AND DESCRIPTIONS
TUBES (SYLVANIA or Equivalent)

MASCO
MODEL MAP-15

ITEM No.	USE	REPLACEMENT DATA			INSTALLATION NOTES
		MASCO PART No.	STANDARD REPLACEMENT	BMA BASE TYPE	
1A	AF Amp.	GSL7 7F7	GSL7 7F7	8ED	
2A	AF Amp., Phase Inv.	GSL7 7F7	GSL7 7F7	BAC	
B	"	GSL7 7F7	GSL7 7F7	8ED	
3	Power Output	GL5GA 6L6GA	5L5GA 7AC	BAC 7AC	
4	Rectifier	5Y5GT	5Y5GT	7AC	
5				5T	

CAPACITORS

Capacity values given in the rating column are in mfd. for Electrolytic and Paper Capacitors, and in mmfd. for Mica and Ceramic Capacitors.

ITEM No.	RATING CAP. VOLT	REPLACEMENT DATA				IDENTIFICATION CODES AND INSTALLATION NOTES
		MASCO PART No.	MALLOY PART No.	SOLAR PART No.	AEROVOX PART No.	
6	450	ST567	ST567	M-18-450	FRS450-16	BRI045 Filter
7	16	ST597	2N316	M-18-450	FRS450-16	BRI045 Filter
8A	450			M-288-450	FRS450-8-8	BRI1145 Filter
B	450					" - Red
9	50	TC32	TP418	M-10-50	PRS50-10	BRI05 Cathode Bypass
10	50	TP418	TP418	M-10-50	PRS50-10	BRI05 Cathode Bypass
11	.01	TP418	TP418	694-01	694-01	D7691 Line Filter
12	.01	TP418	TP418	694-01	694-01	D7691 Line Filter
13	.01	TP421	TP421	S-6-01	S-6-01	D7691 Audio Coupling
14	.01	TP410	TP410	S-6-01	S-6-01	D7691 Tone Compensation
15	.01	TP410	TP410	S-6-01	S-6-01	D7691 Audio Coupling
16	.005	TP408	TP408	S-6-005	S-6-005	D7691 Audio Coupling

CONTROLS

ITEM No.	RATING RESIST. ANCE	WATTS	REPLACEMENT DATA			INSTALLATION NOTES
			MASCO PART No.	MALLOY PART No.	IRC PART No.	
17A	500KΩ	1	NR-48	DI3-133	AM-60-Z	Volume Control
B	500KΩ	1	Not Req.	F	RS-3	Tone Control
18A	500KΩ	1	Not Req.	F	AM-60-Z	Tone Control
B	500KΩ	1	Not Req.	F	RS-3	Attach to 18A per instructions

RESISTORS

ITEM No.	RATING RESISTANCE (WATTS)	REPLACEMENT DATA		IDENTIFICATION CODES
		MASCO PART No.	IRC PART No.	
19	220KΩ	BTS-220K		Red-Red-VI. Series Input
20	220KΩ	BTS-220K		Red-Red-VI. Series Input
21	1.5 Meg.	BTS-1.5 Meg.		Br.-Blk.-Grn. AF Grid
22	200Ω	BTS-200K		Br.-Blk.-Grn. AF Grid
23	220K	BTS-220K		Red-Blk.-Grn. AF Cathode
24	220K	BTS-220K		Red-Blk.-Grn. AF Cathode
25	1000Ω	BTS-1000		Red-Red-VI. AF Plate Load
26	220K	BTS-220K		Brn.-Blk.-Red. AF-Phase Inverter Cathode
27	220K	BTS-220K		Red-Red-VI. AF Plate Load
28	12K	BTS-12K		Red-Red-VI. Phase Inverter Plate Load
29	500K	BTS-470K		Brn.-Red-Or. Phase Inverter Grid
30	500K	BTS-470K		Grn.-Blk.-Yl. Output Grid
31	200Ω	AB-200		Grn.-Blk.-Yl. Output Cathode
32	12K	BTS-12K		Brn.-Red-Or. Filter
33	10K	BTS-10K		Brn.-Blk.-Or. Filter

PARTS LIST AND DESCRIPTIONS (Continued)

FILTER CHOKE

ITEM NO.	TOTAL DIRECT CURRENT	RATINGS D. C. RESISTANCE	INDUCTANCE (1000 μ)	REPLACEMENT DATA		INSTALLATION NOTES
				MASCO PART No.	THORDARN PART No.	
34	.125A	130Ω	3.2H	C-178	T20C54	C-2303 ‡ Drill new mounting holes.

TRANSFORMER (POWER)

ITEM No.	RATING	REPLACEMENT DATA		MERIT PART No.
		MASCO PART No.	THORDARN PART No.	
35	117V AC 670V CT 5.0V AC 6.6V AC @ .9A @ 1.25A @ 1.8A @ 2.4A	A-17	P-6014	T22R05 P-2953

TRANSFORMER (OUTPUT)

ITEM No.	RATING	REPLACEMENT DATA		MERIT PART No.	INSTALLATION NOTES
		MASCO PART No.	THORDARN PART No.		
36	400Ω CT 100Ω .5Ω CT	A-3850	T	T22588	‡ Drill new mounting holes.

SPEAKER

ITEM No.	RATINGS	REPLACEMENT DATA		INSTALLATION NOTES
		MASCO PART No.	JENSEN PART No.	
37	VC TYP. 42	AI-12	ST-101*	*Change output transformer to match 8Ω voice coil
38	11-3/4" 1-1/8"	NOT READILY REPLACEABLE—USE COMPLETE SPEAKER UNIT		

DIAL LIGHT

ITEM No.	BASE TYPE	VOLTS	AMPS.	REPLACEMENT DATA		INSTALLATION NOTES
				MASCO PART No.	BEAD COLOR	
39	Bayonet	6-8	0.15	Brown		Type 47

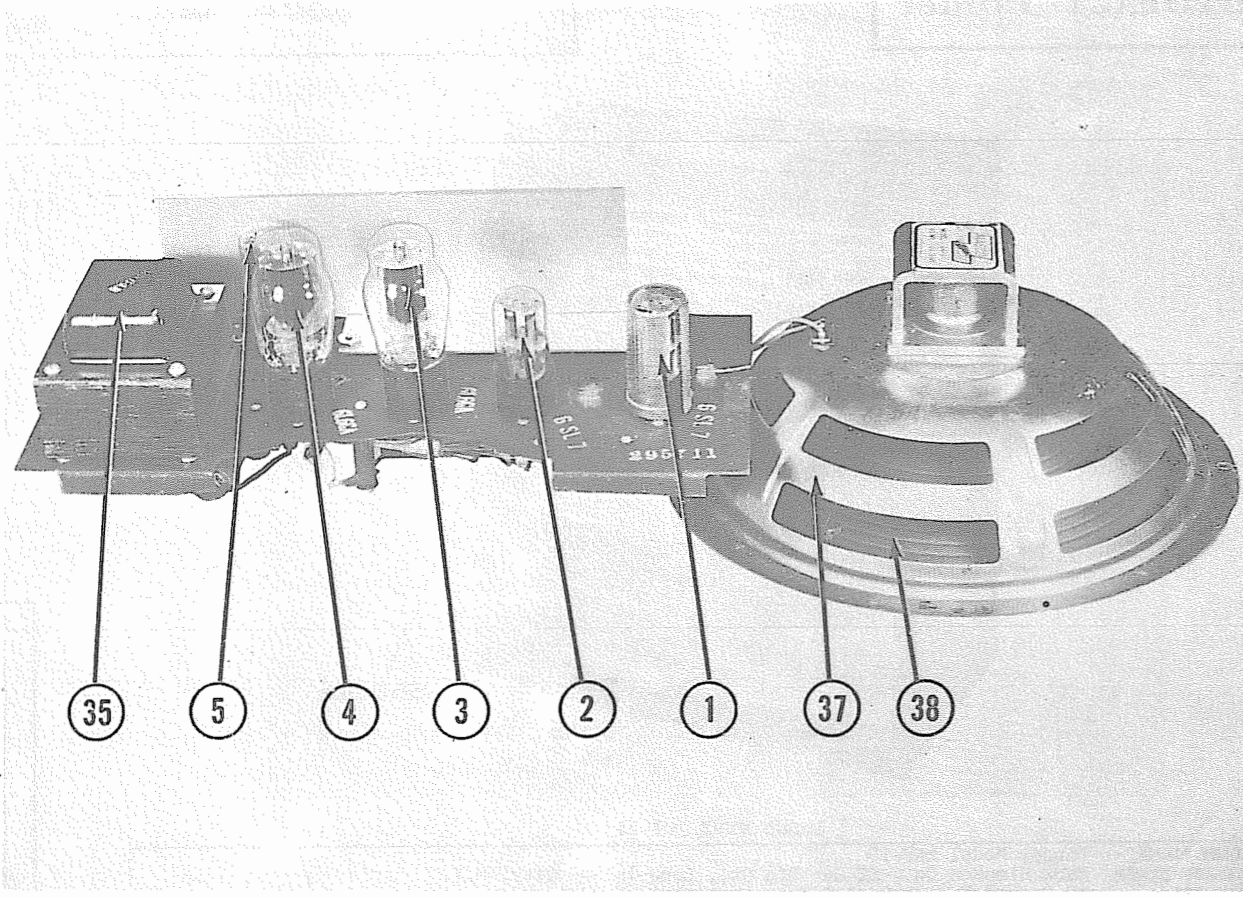
MISCELLANEOUS

ITEM No.	PART NAME	MASCO PART No.	NOTES
40	Switch		On-Off
41	Fuse		3-5 Amperes

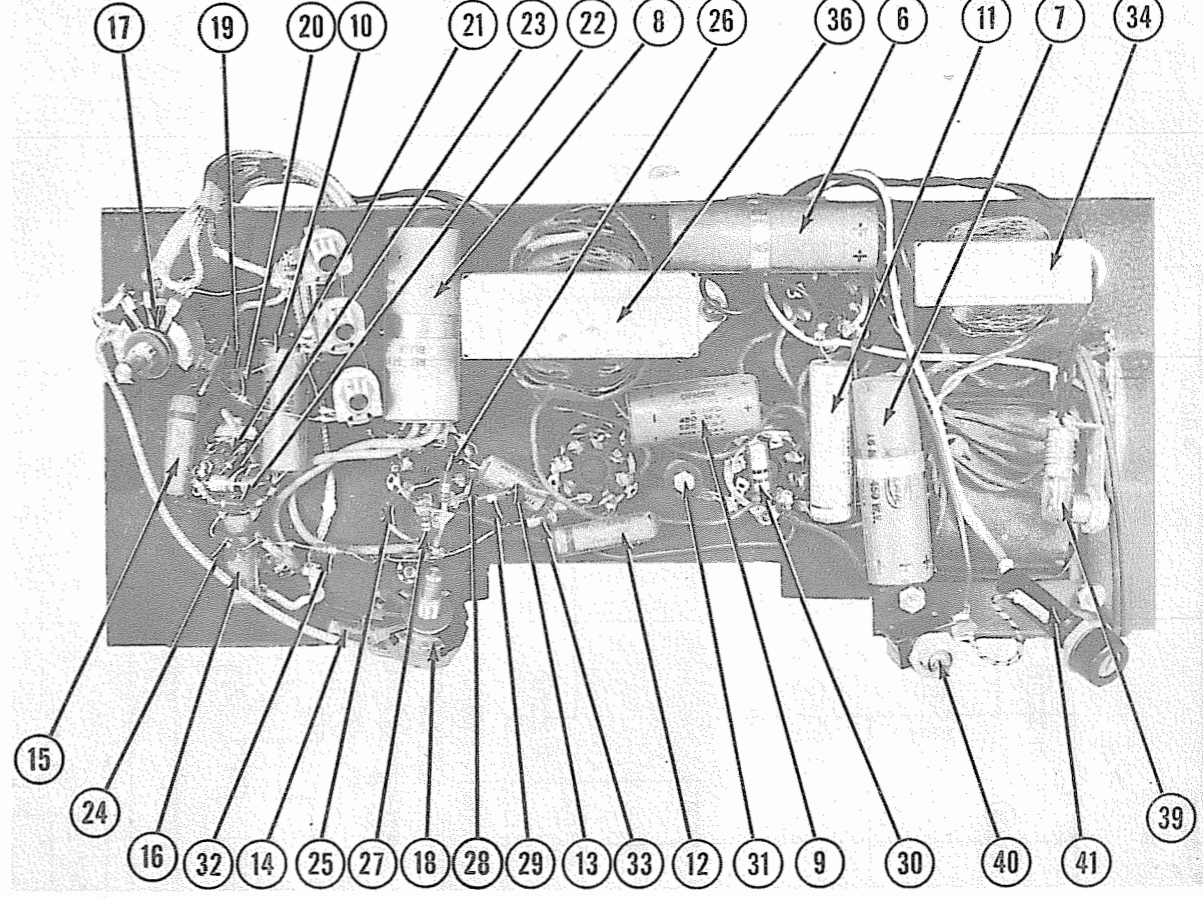
DISASSEMBLY INSTRUCTIONS

- Remove four wood screws holding panel below control panel to cabinet. Remove from cabinet.
- Remove two control knobs.
- Remove seven wood screws holding controls and input jacks to control panel.
- Remove one lock nut holding dial light to control panel.
- Unsolder two leads and remove fuse holder from control panel.
- Remove two wood screws holding chassis in cabinet. Remove chassis from cabinet.
- Remove four hex nuts holding speaker in cabinet. Remove speaker from cabinet.

CHASSIS—TOP VIEW



CHASSIS—BOTTOM VIEW



MASCO
MODEL MAP-15

MASCO
MODEL MAP-15