

REV	AUTH	DATE
1		12-1-58
2		12-3-58
3		1-16-59

YORKVILLE SOUND LTD.

YBA-3A

DESIGNED BY: P. TRAYNOR

TESTED BY: [Signature]

DRAWN BY: [Signature]

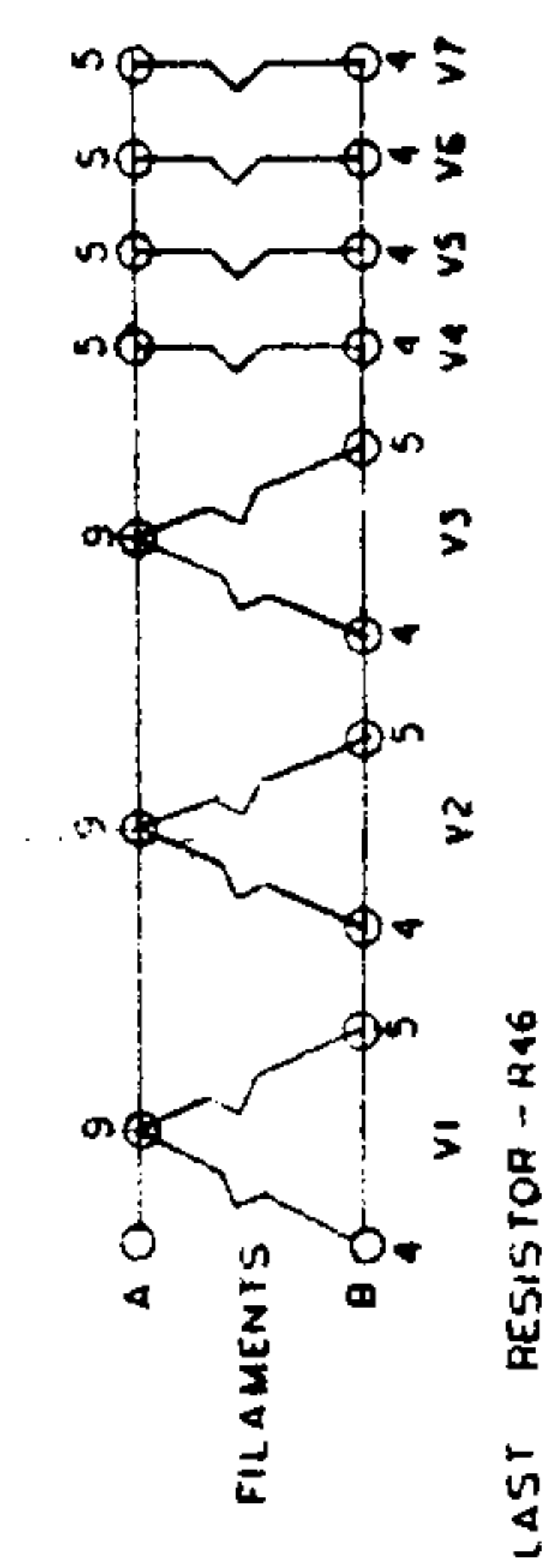
APPROVED BY: [Signature]

1 ALL CAPACITORS IN THIS CIRCUIT ARE MFRS. APPROVED UNLESS OTHERWISE NOTED.

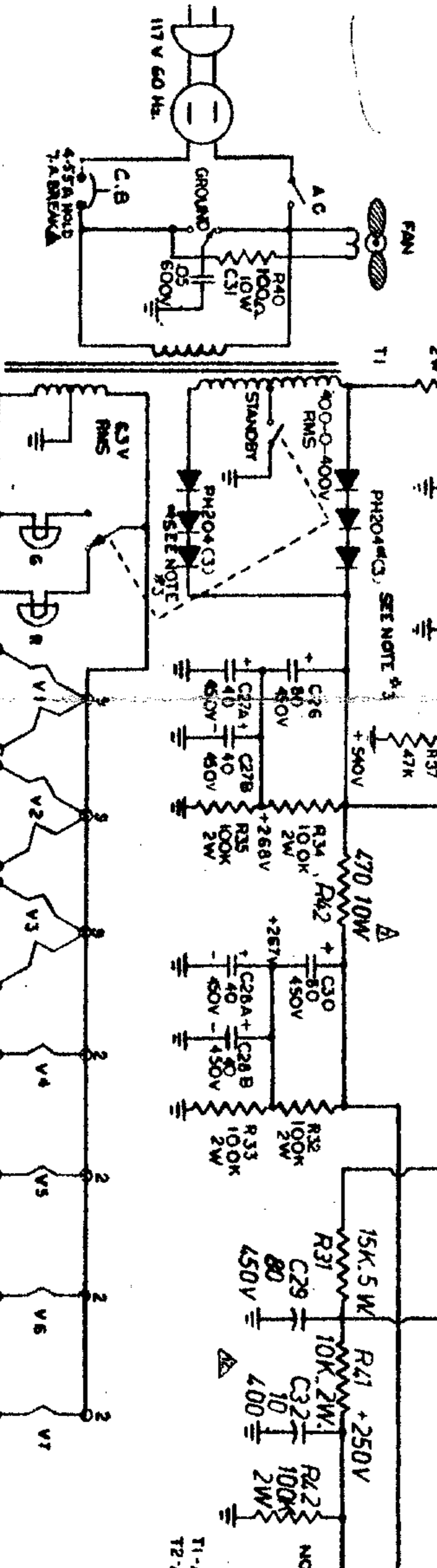
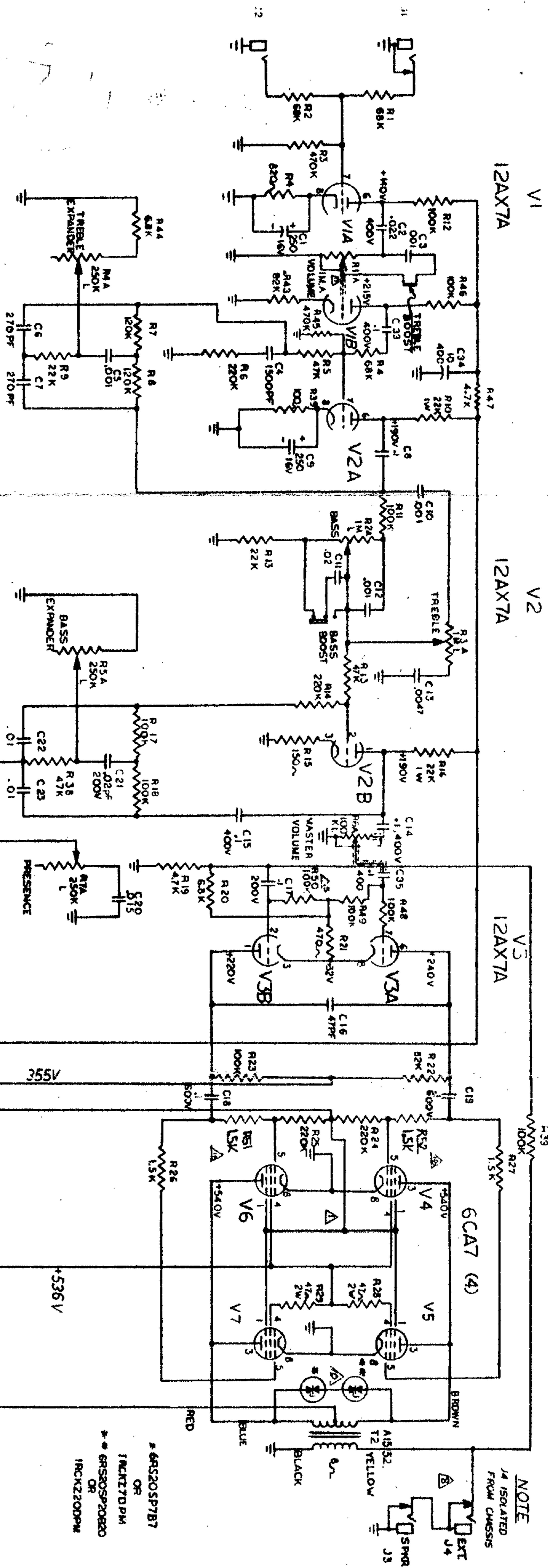
2 ALL RESISTORS SHOWN IN CIRCUIT AT 1/2 WATT UNLESS OTHERWISE NOTED.

3 ALL VOLTAGES MEASURED TO 6.3V FILAMENT & INPUT VOLTMETER WITH CONTROLS AT MINIMUM AND 117V AC LINE VOLTAGE.

P.A. WILLIAMS



LAST RESISTOR - R46



NOTE:
 1. ALL CAPACITANCE VALUES ARE IN MFD UNLESS OTHERWISE SPECIFIED.
 2. ALL RESISTANCE VALUES ARE IN Ω UNLESS OTHERWISE SPECIFIED.
 3. TWO IN50G1 CONTROLLED AVALANCHE TYPE RECTIFIERS IN EACH LEG MAY BE SUBSTITUTED FOR THE 3 PH204 IN EACH LEG.

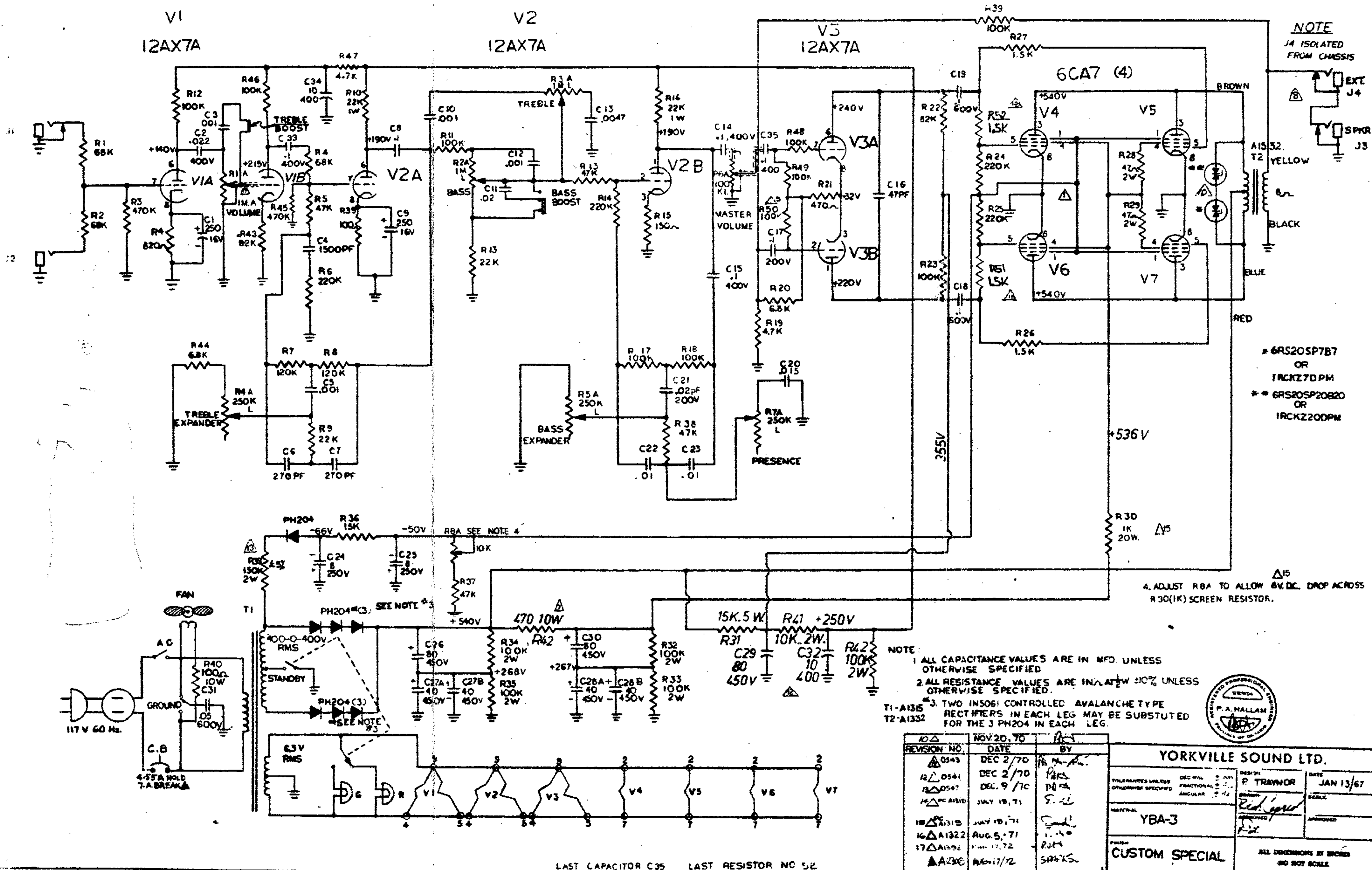
4. ADJUST R8A TO ALLOW A.V.C. DMOP ACROSS R30(1K) SCREEN RESISTOR.

REV. NO.	DATE	BY
0043	NOV 20, 70	AK
0541	DEC 2, 70	AK
0547	DEC 2, 70	AK
0548	DEC 9, 70	AK
0549	DEC 18, 71	AK
0550	JULY 10, 71	AK
0551	AUG 5, 71	AK
0552	FEB 17, 72	AK
0553	MAR 11, 72	AK
0554	OCT 5, 72	AK

YORKVILLE SOUND LTD.

YBA-3
 CUSTOM SPECIAL

ALL DIMENSIONS IN INCHES AND NOT FEEL



NOTE
 J4 ISOLATED FROM CHASSIS

* 6RS20SP7B7
 OR
 1RCKZ70PM
 ** 6RS20SP20B20
 OR
 1RCKZ200PM

4. ADJUST R8A TO ALLOW 8V DC DROP ACROSS R30(1K) SCREEN RESISTOR.

NOTE:
 1 ALL CAPACITANCE VALUES ARE IN MFD UNLESS OTHERWISE SPECIFIED.
 2 ALL RESISTANCE VALUES ARE IN Ω AT $\pm 10\%$ UNLESS OTHERWISE SPECIFIED.
 3 TWO IN506 CONTROLLED AVALANCHE TYPE RECTIFIERS IN EACH LEG MAY BE SUBSTITUTED FOR THE 3 PH204 IN EACH LEG.



REVISION NO.	DATE	BY
10	NOV 20, 70	AM
11	DEC 2/70	AM
12	DEC 2/70	AM
13	DEC 9/70	AM
14	JULY 18, 71	AM
15	JULY 18, 71	AM
16	AUG 5, 71	AM
17	FEB 17, 72	AM
18	MAY 17, 72	AM
19	OCT 5/72	AM

YORKVILLE SOUND LTD.	
TELETYPE UNIT OTHERWISE SPECIFIED	DATE JAN 13/67
DESIGNER P. TRAYNOR	SCALE
YBA-3	APPROVED
CUSTOM SPECIAL	ALL DIMENSIONS IN INCHES NO SLOT SCALE

LAST CAPACITOR C35 LAST RESISTOR NO 52