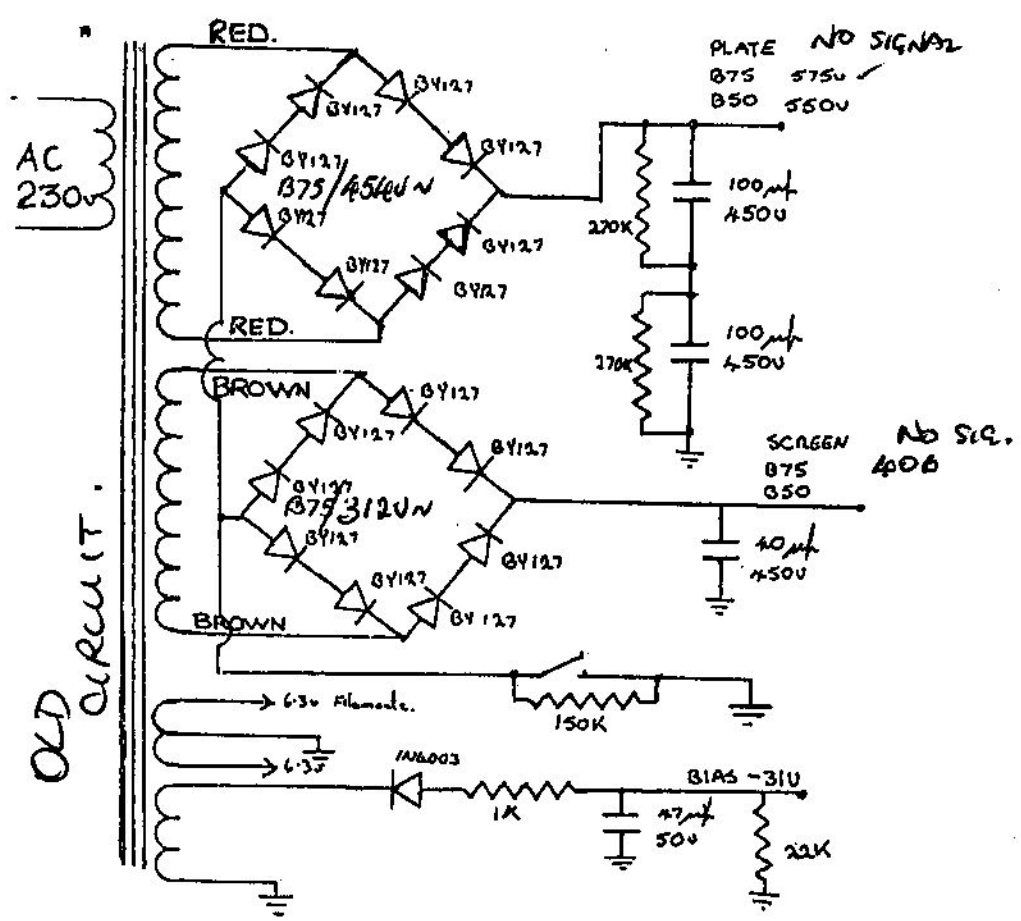
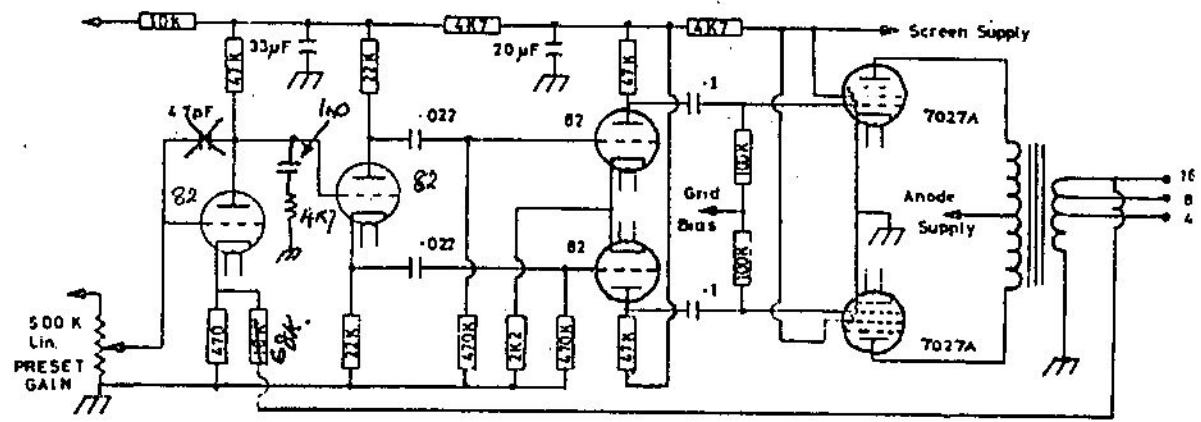
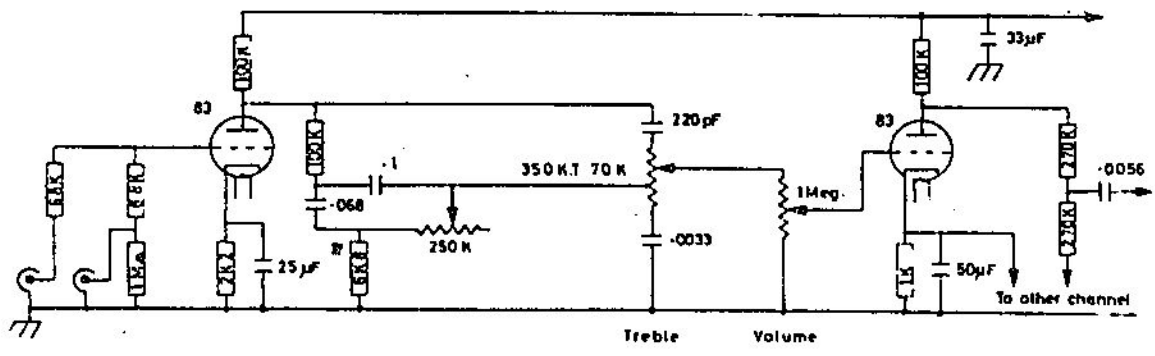


Applies to:-
 BASSMAN 50
 BASSMAN 75 \neq 100
 BASSMAN 6/35
 MODELS 12/60 - 12/100
 8/FORTY - 7/FORTY -
 8/FIFTY (early series)

PLATE :-
 B75 575-600
 B50 550

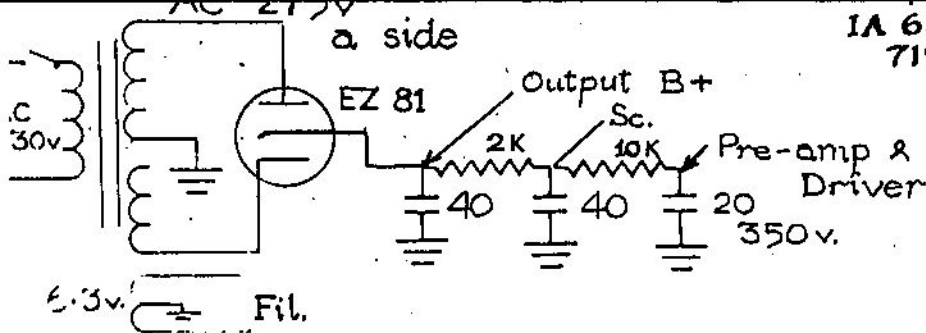


B75 $24.5 \sqrt{8} = 75W.$

B50 $20.0 \sqrt{8} = 50W$

BASS 75

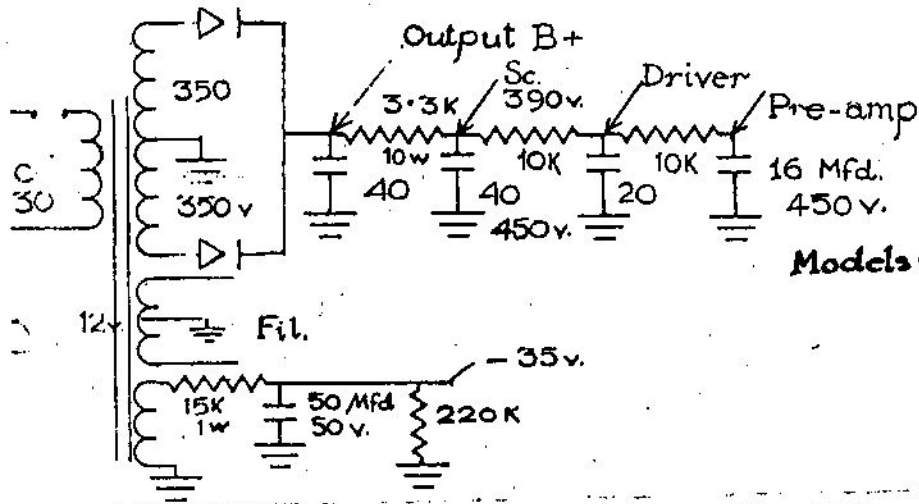
OLD circuit.



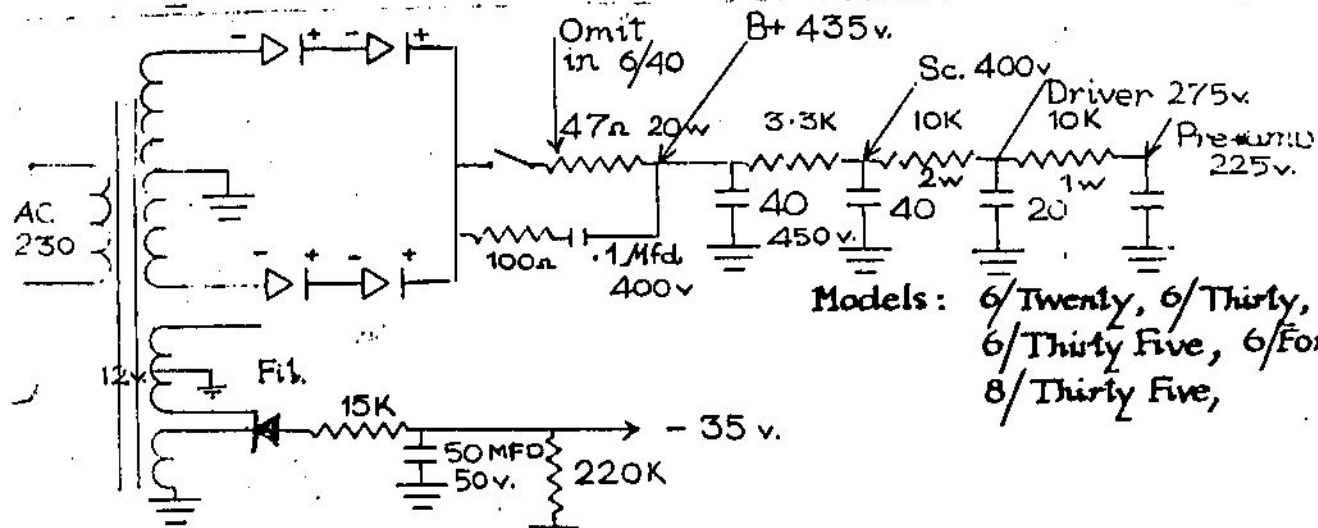
1A 68
715
6/Twelve Reverb

Janszen

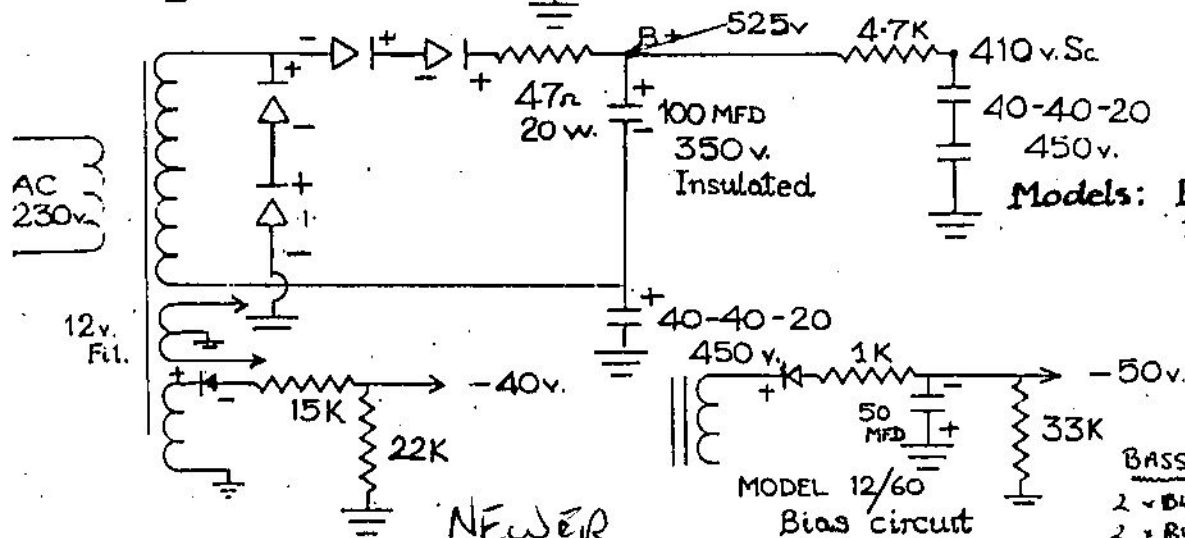
Valve Model
Rectifier Circuits.



Models: 6/Twenty (early series)
8/Twenty five



Models: 6/Twenty, 6/Thirty, 6/Forty Twin,
6/Thirty Five, 6/Forty, 7/Forty,
8/Thirty Five,



Models: Bassman 50 & 75
12/Sixty (early series)

NEWER
Circuit,

BASS 75 TRANSFORMER

- 2 x BLUE - MAINS IN
- 2 x RED - H.T. OUT
- 2 x BROWN - SCREEN H.T. OUT
- 2 x YELLOW - BIAS WINDING
- 2 x GREEN (SHEATH) - 12VOLT
- 1 x GREEN P.V.C. - HEATER