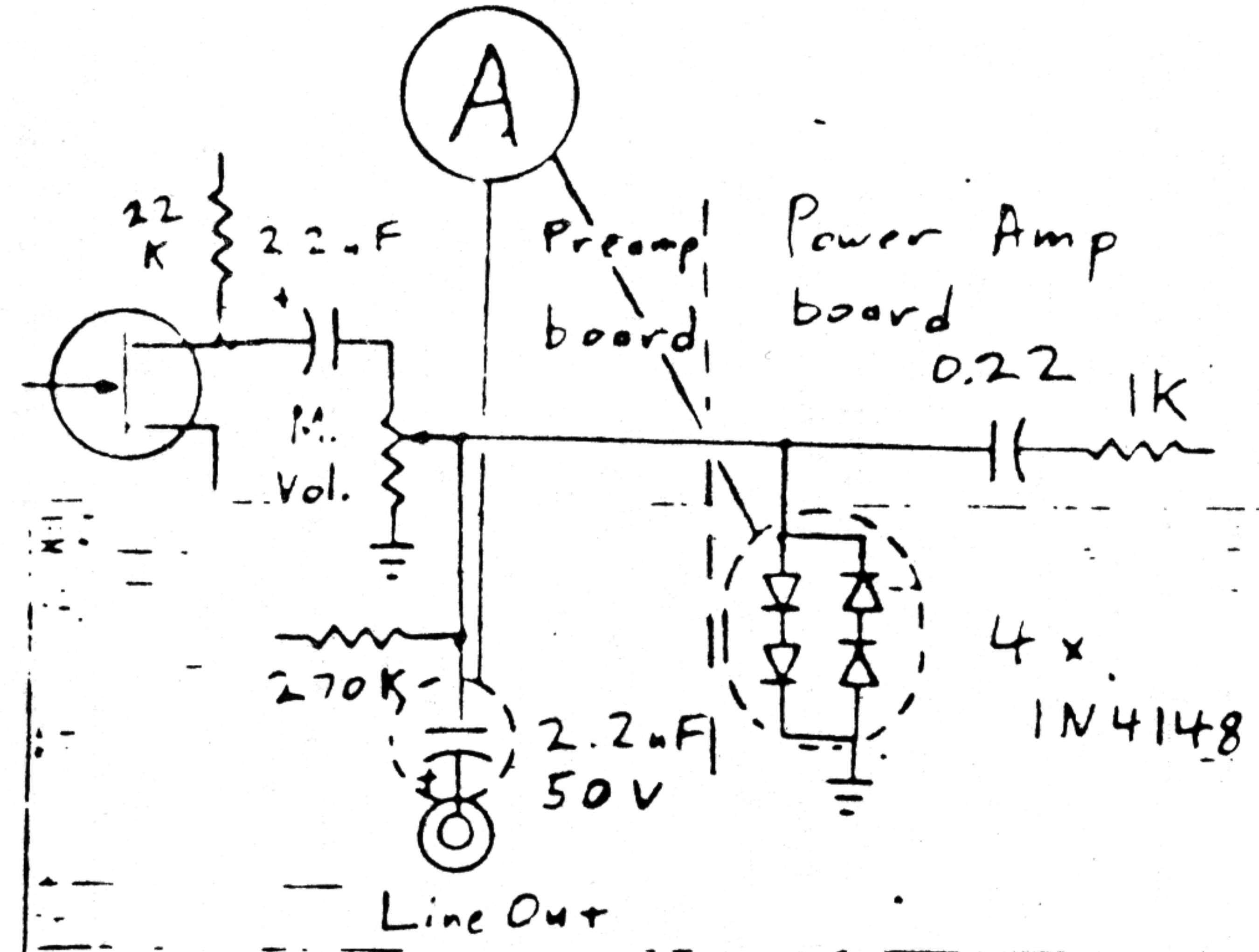
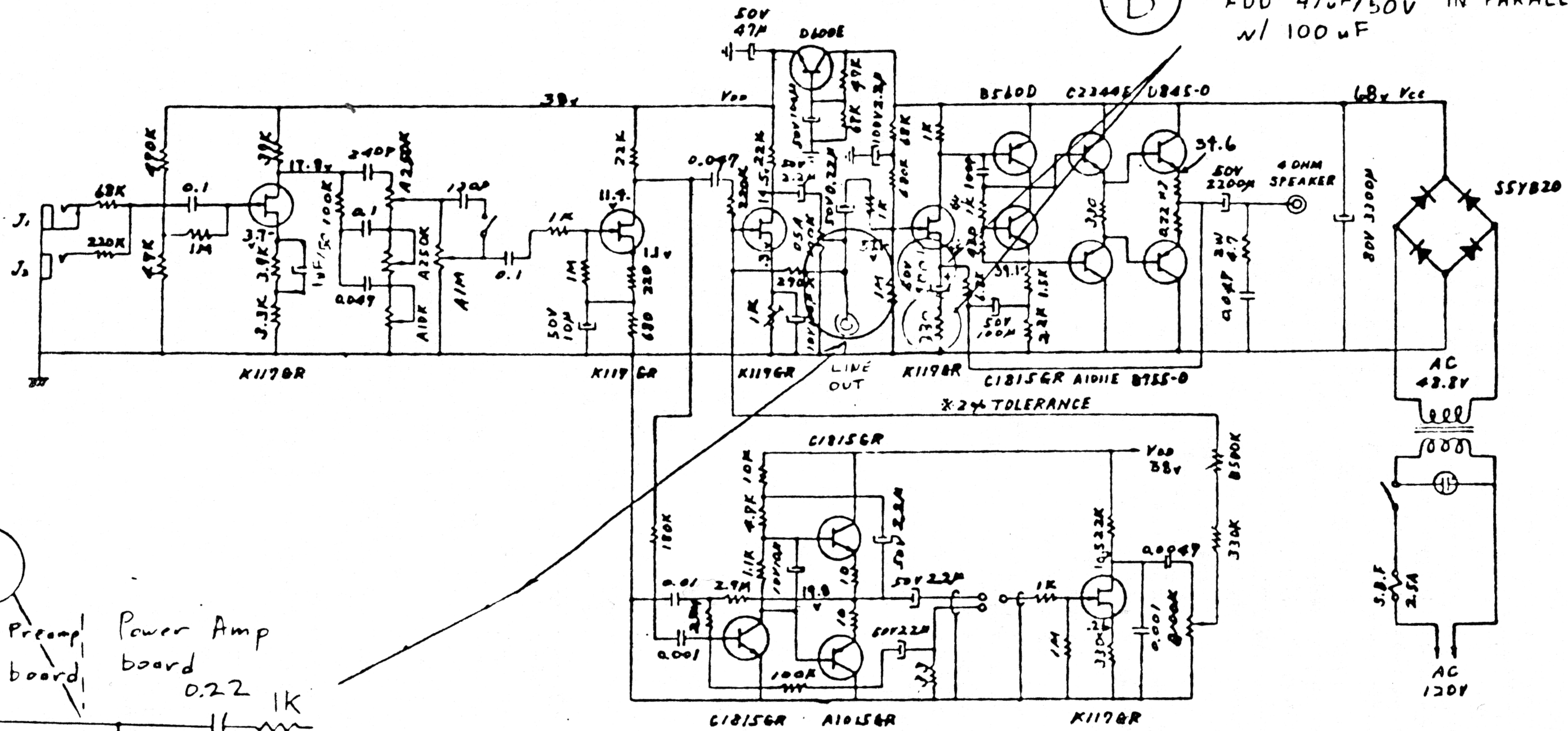


Model 1000M

(B) CHANGE 330 Ω TO 120 Ω 1/2 W 5%
ADD 47 μF/50V IN PARALLEL
w/ 100 μF



2/18/81
JW

Unicord.
a Division of Gull - Western Manufacturing Company
86 Ford Street Westbury, N.Y. 11590

Westbury
Model 1000M Guitar Amplifier