

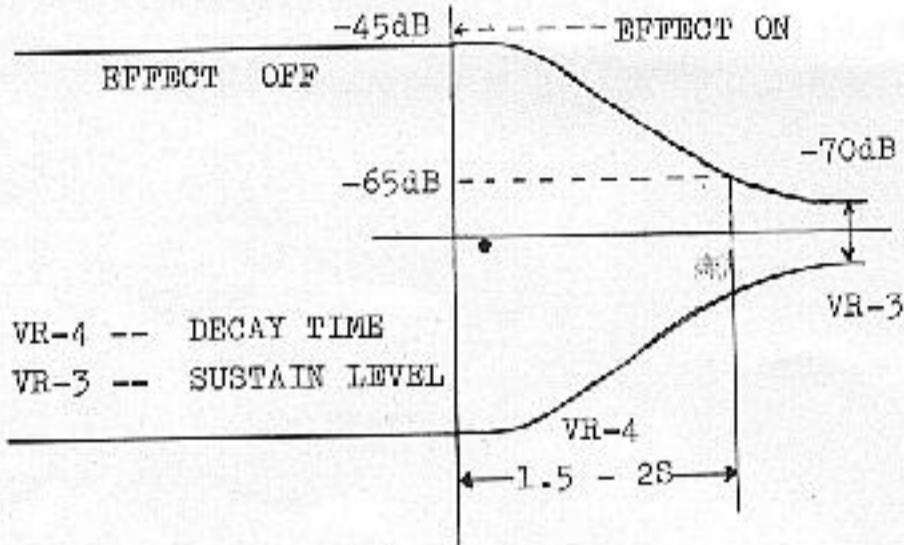
ADJUSTMENT

Set Knobs: SENS - full counterclockwise.

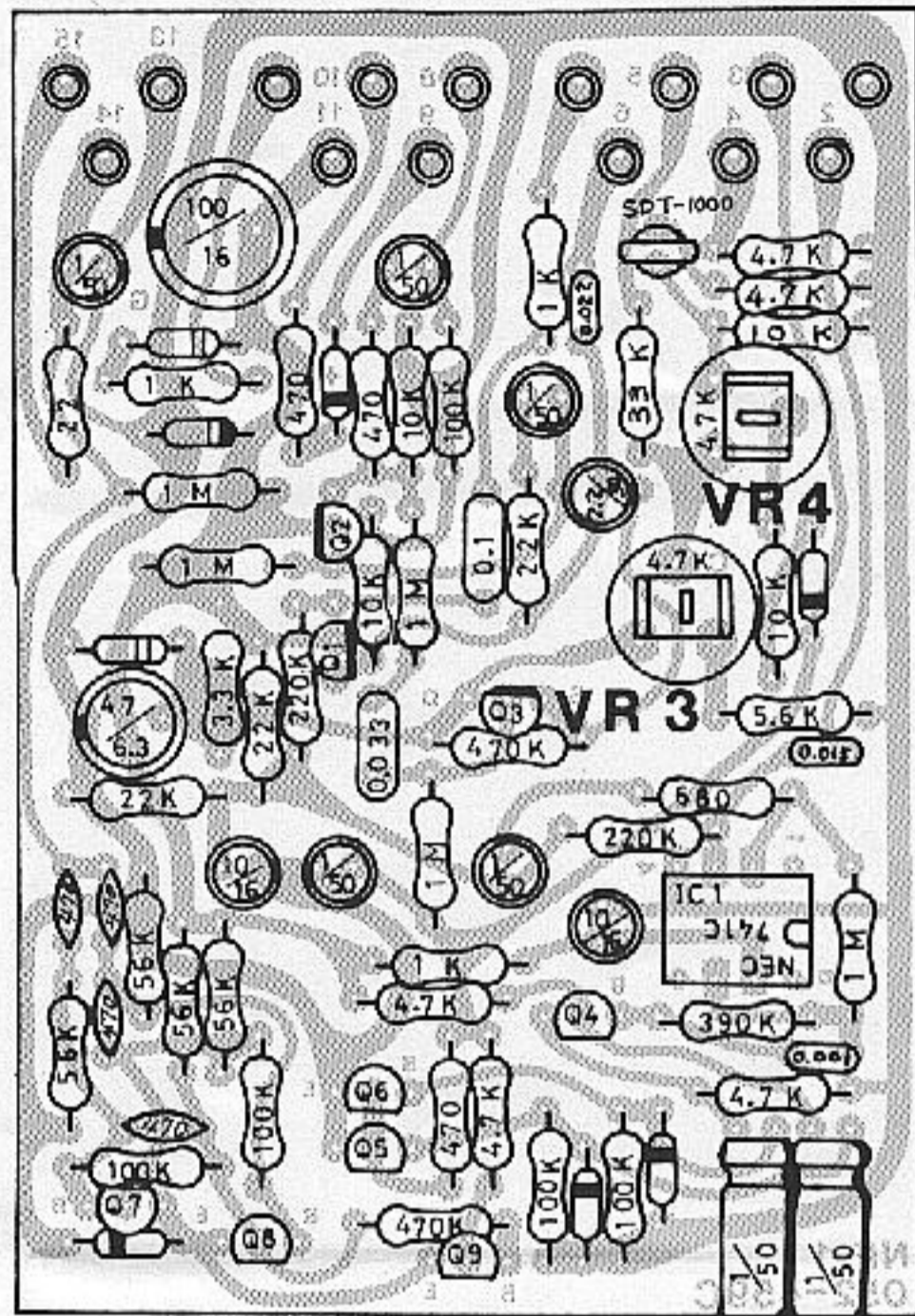
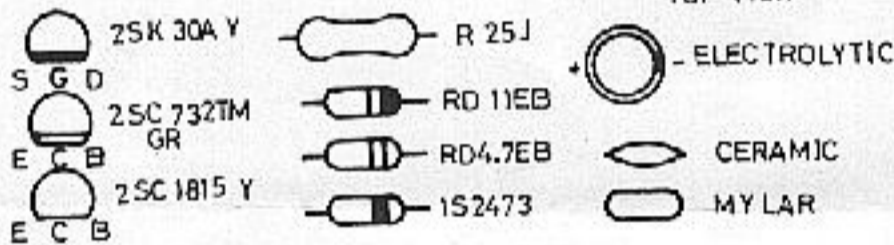
DECAY - full clockwise.

Connect an oscilloscope to OUTPUT through a millivoltmeter.

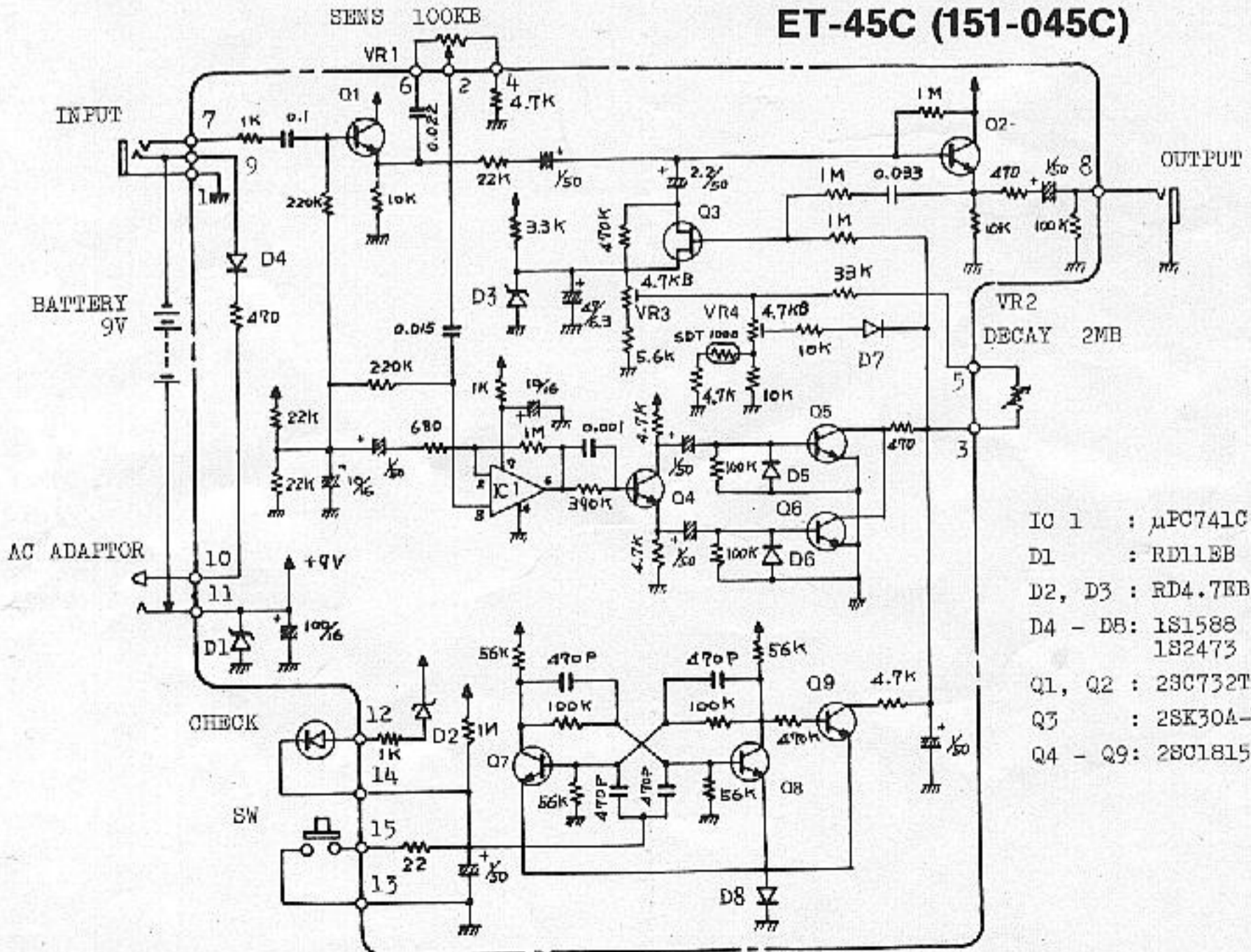
Feed a signal, 1kHz sine -45dBm, to INPUT. Adjust VR-3 and VR-4 for the values shown below.



VR-4 -- DECAY TIME
VR-3 -- SUSTAIN LEVEL



ET-45C (151-045C)



- IC 1 : μ PC741C
- D1 : RD11EB
- D2, D3 : RD4.7EB
- D4 - D8 : 1S1588 or 1S2473
- Q1, Q2 : 2SC732TM-GR
- Q3 : 2SK30A-Y
- Q4 - Q9 : 2SC1815-Y