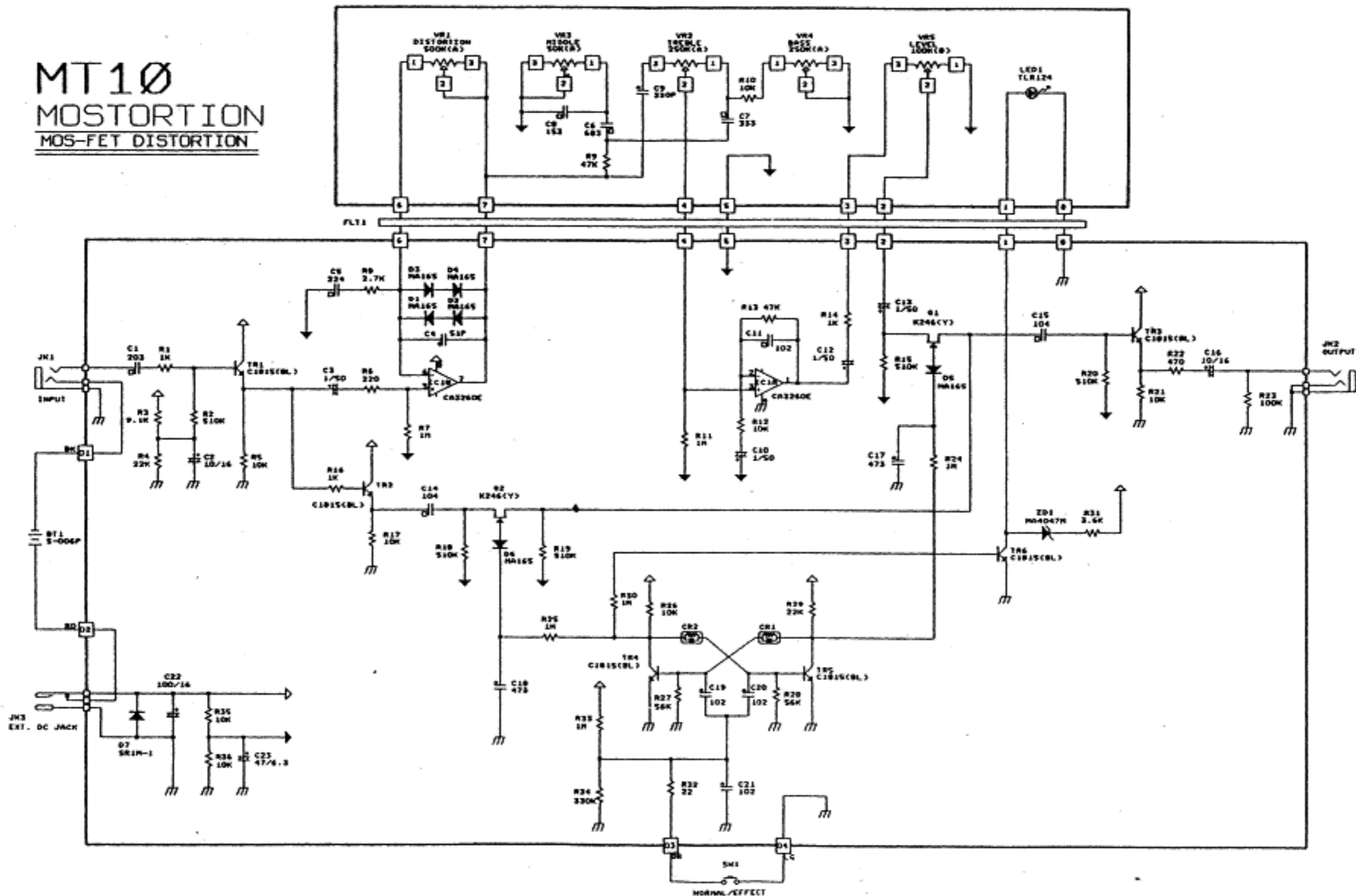
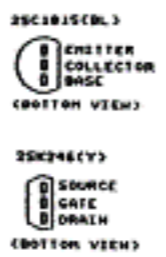
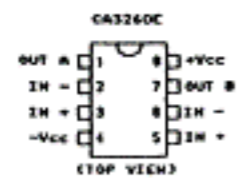


# MT10 MOSTORTION MOS-FET DISTORTION



IC, TR, D List

IC 1	:CA3260E
TR1'S	:2SC1815CBL
R1,2	:2SK246(Y)
D1'S	:1N4145



Color Code

BR	: Brown
RD	: Red
OR	: Orange
YL	: Yellow
GR	: Green
BL	: Blue
VI	: Violet
GY	: Grey
WH	: White
BLK	: Black
SK	: Sky Blue
LC	: Light Green
PK	: Pink

NOTES

A : CERAMIC capacitor.  
 All ceramic capacitors are above 25v rating.  
 F : FILM capacitor.  
 All film capacitors are above 50v rating.  
 P : POLAR capacitor.  
 NP : NON POLAR capacitor.  
 T : TANTALUM capacitor.  
 And all capacitors are ELECTROLYTIC capacitors unless otherwise marked.  
 Unless otherwise indicated:  
 Resistance in  $\Omega$ , K $\Omega$ , M $\Omega$ ,  
 Resistors, 1/4W or 1/8W +/-5% rating.  
 Capacitance in pF, uF

CAUTION

This schematic diagram is a normal standard one. The parts falling and/or schematic diagram will be subject to change without notice.