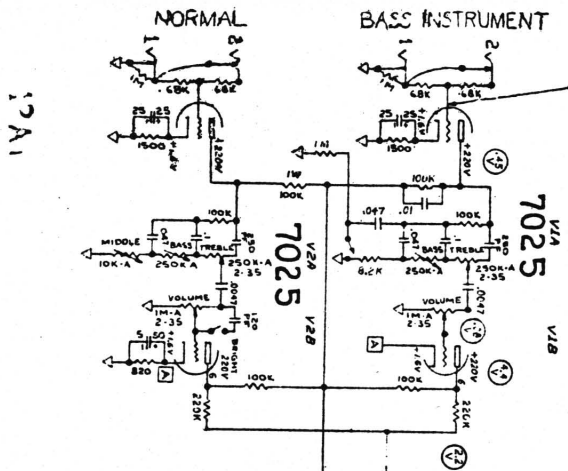


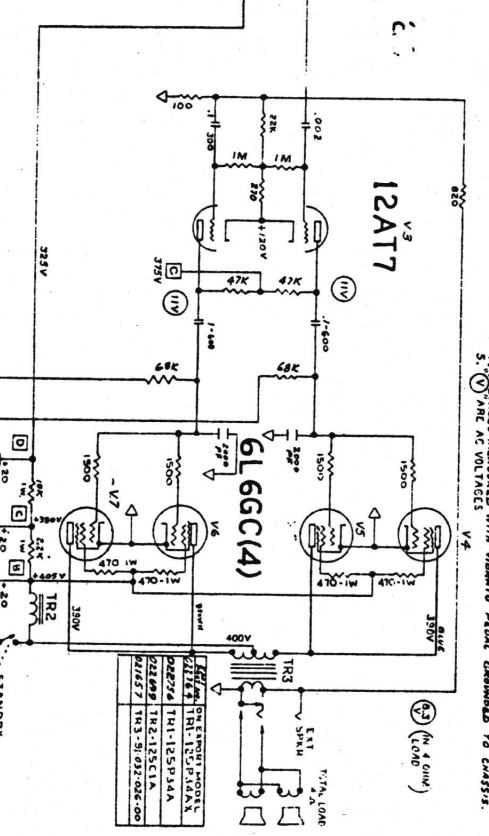
FENDER "SUPER BASSMAN-AMP CFA7002" SCHEMATIC NOTICE

THIS PRODUCT MANUFACTURED UNDER ONE OR MORE OF THE FOLLOWING PATENTS:
 # 2,817,710, # 2,933,681, # 2,925,557, # 2,925,558, # 2,925,559, # 2,925,560, # 2,925,561, # 2,925,562, # 2,925,563, # 2,925,564, # 2,925,565, # 2,925,566, # 2,925,567, # 2,925,568, # 2,925,569, # 2,925,570, # 2,925,571, # 2,925,572, # 2,925,573, # 2,925,574, # 2,925,575, # 2,925,576, # 2,925,577, # 2,925,578, # 2,925,579, # 2,925,580, # 2,925,581, # 2,925,582, # 2,925,583, # 2,925,584, # 2,925,585, # 2,925,586, # 2,925,587, # 2,925,588, # 2,925,589, # 2,925,590, # 2,925,591, # 2,925,592, # 2,925,593, # 2,925,594, # 2,925,595, # 2,925,596, # 2,925,597, # 2,925,598, # 2,925,599, # 2,925,600, # 2,925,601, # 2,925,602, # 2,925,603, # 2,925,604, # 2,925,605, # 2,925,606, # 2,925,607, # 2,925,608, # 2,925,609, # 2,925,610, # 2,925,611, # 2,925,612, # 2,925,613, # 2,925,614, # 2,925,615, # 2,925,616, # 2,925,617, # 2,925,618, # 2,925,619, # 2,925,620, # 2,925,621, # 2,925,622, # 2,925,623, # 2,925,624, # 2,925,625, # 2,925,626, # 2,925,627, # 2,925,628, # 2,925,629, # 2,925,630, # 2,925,631, # 2,925,632, # 2,925,633, # 2,925,634, # 2,925,635, # 2,925,636, # 2,925,637, # 2,925,638, # 2,925,639, # 2,925,640, # 2,925,641, # 2,925,642, # 2,925,643, # 2,925,644, # 2,925,645, # 2,925,646, # 2,925,647, # 2,925,648, # 2,925,649, # 2,925,650, # 2,925,651, # 2,925,652, # 2,925,653, # 2,925,654, # 2,925,655, # 2,925,656, # 2,925,657, # 2,925,658, # 2,925,659, # 2,925,660, # 2,925,661, # 2,925,662, # 2,925,663, # 2,925,664, # 2,925,665, # 2,925,666, # 2,925,667, # 2,925,668, # 2,925,669, # 2,925,670, # 2,925,671, # 2,925,672, # 2,925,673, # 2,925,674, # 2,925,675, # 2,925,676, # 2,925,677, # 2,925,678, # 2,925,679, # 2,925,680, # 2,925,681, # 2,925,682, # 2,925,683, # 2,925,684, # 2,925,685, # 2,925,686, # 2,925,687, # 2,925,688, # 2,925,689, # 2,925,690, # 2,925,691, # 2,925,692, # 2,925,693, # 2,925,694, # 2,925,695, # 2,925,696, # 2,925,697, # 2,925,698, # 2,925,699, # 2,925,700, # 2,925,701, # 2,925,702, # 2,925,703, # 2,925,704, # 2,925,705, # 2,925,706, # 2,925,707, # 2,925,708, # 2,925,709, # 2,925,710, # 2,925,711, # 2,925,712, # 2,925,713, # 2,925,714, # 2,925,715, # 2,925,716, # 2,925,717, # 2,925,718, # 2,925,719, # 2,925,720, # 2,925,721, # 2,925,722, # 2,925,723, # 2,925,724, # 2,925,725, # 2,925,726, # 2,925,727, # 2,925,728, # 2,925,729, # 2,925,730, # 2,925,731, # 2,925,732, # 2,925,733, # 2,925,734, # 2,925,735, # 2,925,736, # 2,925,737, # 2,925,738, # 2,925,739, # 2,925,740, # 2,925,741, # 2,925,742, # 2,925,743, # 2,925,744, # 2,925,745, # 2,925,746, # 2,925,747, # 2,925,748, # 2,925,749, # 2,925,750, # 2,925,751, # 2,925,752, # 2,925,753, # 2,925,754, # 2,925,755, # 2,925,756, # 2,925,757, # 2,925,758, # 2,925,759, # 2,925,760, # 2,925,761, # 2,925,762, # 2,925,763, # 2,925,764, # 2,925,765, # 2,925,766, # 2,925,767, # 2,925,768, # 2,925,769, # 2,925,770, # 2,925,771, # 2,925,772, # 2,925,773, # 2,925,774, # 2,925,775, # 2,925,776, # 2,925,777, # 2,925,778, # 2,925,779, # 2,925,780, # 2,925,781, # 2,925,782, # 2,925,783, # 2,925,784, # 2,925,785, # 2,925,786, # 2,925,787, # 2,925,788, # 2,925,789, # 2,925,790, # 2,925,791, # 2,925,792, # 2,925,793, # 2,925,794, # 2,925,795, # 2,925,796, # 2,925,797, # 2,925,798, # 2,925,799, # 2,925,800, # 2,925,801, # 2,925,802, # 2,925,803, # 2,925,804, # 2,925,805, # 2,925,806, # 2,925,807, # 2,925,808, # 2,925,809, # 2,925,810, # 2,925,811, # 2,925,812, # 2,925,813, # 2,925,814, # 2,925,815, # 2,925,816, # 2,925,817, # 2,925,818, # 2,925,819, # 2,925,820, # 2,925,821, # 2,925,822, # 2,925,823, # 2,925,824, # 2,925,825, # 2,925,826, # 2,925,827, # 2,925,828, # 2,925,829, # 2,925,830, # 2,925,831, # 2,925,832, # 2,925,833, # 2,925,834, # 2,925,835, # 2,925,836, # 2,925,837, # 2,925,838, # 2,925,839, # 2,925,840, # 2,925,841, # 2,925,842, # 2,925,843, # 2,925,844, # 2,925,845, # 2,925,846, # 2,925,847, # 2,925,848, # 2,925,849, # 2,925,850, # 2,925,851, # 2,925,852, # 2,925,853, # 2,925,854, # 2,925,855, # 2,925,856, # 2,925,857, # 2,925,858, # 2,925,859, # 2,925,860, # 2,925,861, # 2,925,862, # 2,925,863, # 2,925,864, # 2,925,865, # 2,925,866, # 2,925,867, # 2,925,868, # 2,925,869, # 2,925,870, # 2,925,871, # 2,925,872, # 2,925,873, # 2,925,874, # 2,925,875, # 2,925,876, # 2,925,877, # 2,925,878, # 2,925,879, # 2,925,880, # 2,925,881, # 2,925,882, # 2,925,883, # 2,925,884, # 2,925,885, # 2,925,886, # 2,925,887, # 2,925,888, # 2,925,889, # 2,925,890, # 2,925,891, # 2,925,892, # 2,925,893, # 2,925,894, # 2,925,895, # 2,925,896, # 2,925,897, # 2,925,898, # 2,925,899, # 2,925,900, # 2,925,901, # 2,925,902, # 2,925,903, # 2,925,904, # 2,925,905, # 2,925,906, # 2,925,907, # 2,925,908, # 2,925,909, # 2,925,910, # 2,925,911, # 2,925,912, # 2,925,913, # 2,925,914, # 2,925,915, # 2,925,916, # 2,925,917, # 2,925,918, # 2,925,919, # 2,925,920, # 2,925,921, # 2,925,922, # 2,925,923, # 2,925,924, # 2,925,925, # 2,925,926, # 2,925,927, # 2,925,928, # 2,925,929, # 2,925,930, # 2,925,931, # 2,925,932, # 2,925,933, # 2,925,934, # 2,925,935, # 2,925,936, # 2,925,937, # 2,925,938, # 2,925,939, # 2,925,940, # 2,925,941, # 2,925,942, # 2,925,943, # 2,925,944, # 2,925,945, # 2,925,946, # 2,925,947, # 2,925,948, # 2,925,949, # 2,925,950, # 2,925,951, # 2,925,952, # 2,925,953, # 2,925,954, # 2,925,955, # 2,925,956, # 2,925,957, # 2,925,958, # 2,925,959, # 2,925,960, # 2,925,961, # 2,925,962, # 2,925,963, # 2,925,964, # 2,925,965, # 2,925,966, # 2,925,967, # 2,925,968, # 2,925,969, # 2,925,970, # 2,925,971, # 2,925,972, # 2,925,973, # 2,925,974, # 2,925,975, # 2,925,976, # 2,925,977, # 2,925,978, # 2,925,979, # 2,925,980, # 2,925,981, # 2,925,982, # 2,925,983, # 2,925,984, # 2,925,985, # 2,925,986, # 2,925,987, # 2,925,988, # 2,925,989, # 2,925,990, # 2,925,991, # 2,925,992, # 2,925,993, # 2,925,994, # 2,925,995, # 2,925,996, # 2,925,997, # 2,925,998, # 2,925,999, # 2,925,1000.

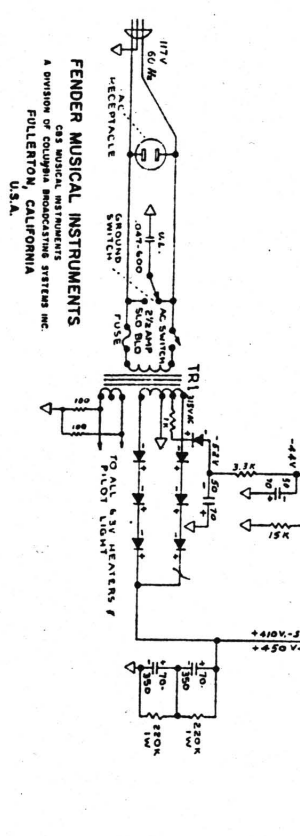
- 1. VOLTAGES READ TO GROUND WITH V.T. V.M.
- 2. ALL RESISTORS $\frac{1}{2}$ WATT 10% TOLERANCE IF NOT SPECIFIED
- 3. ALL CAPACITORS $\frac{1}{2}$ MFD 50V 10% TOLERANCE IF NOT SPECIFIED
- 4. VOLTAGES MEASURED WITH WAGNER PROBE FROM GROUND TO CHASSIS.
- 5. V_1 ME AC VOLTS



7025



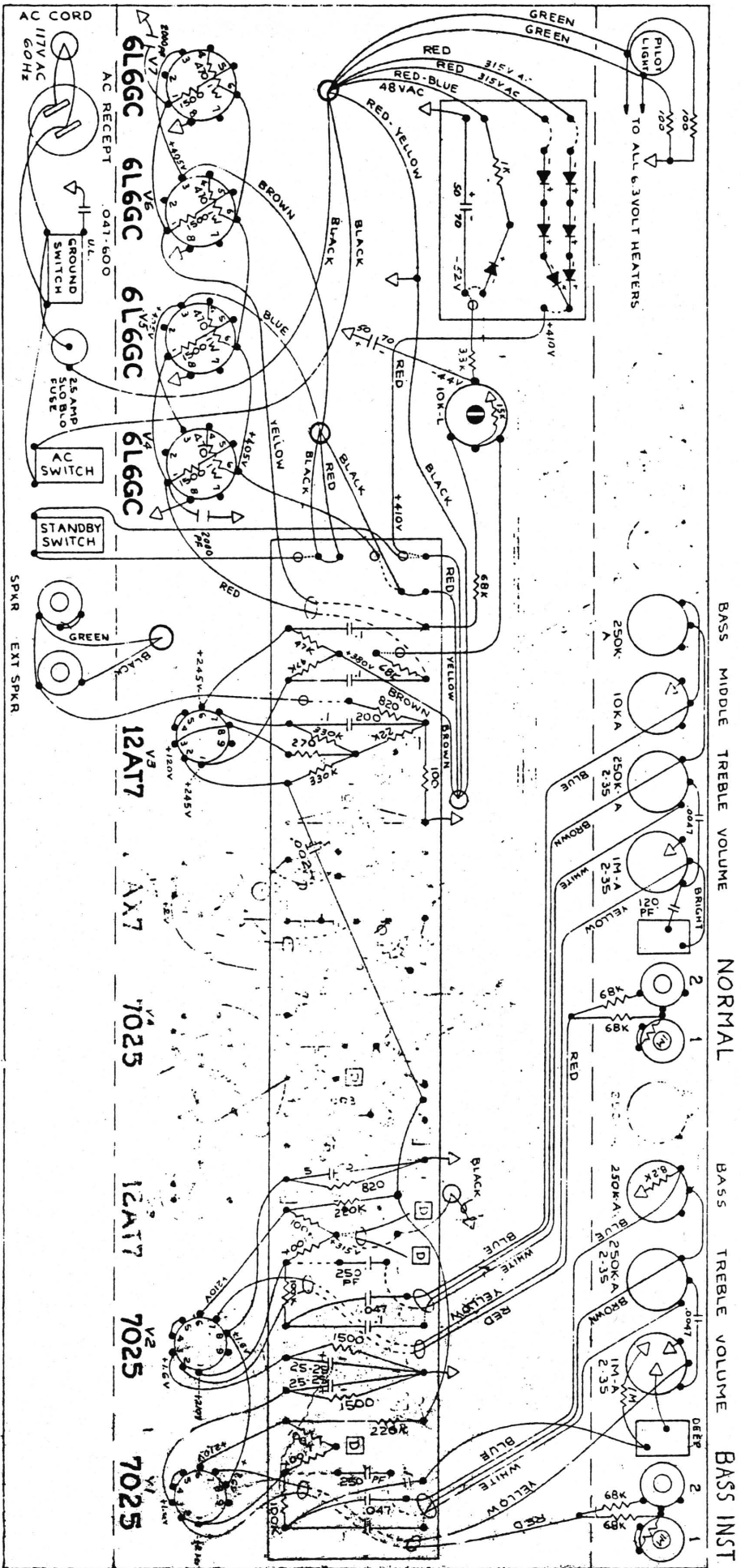
REF. NO.	DESCRIPTION	QTY.
12A1	12AT7	1
12A2	6L6GC(4)	1
12A3	TR1-125P3A4	1
12A4	TR2-125P3A4	1
12A5	TR3-51-032-02-00	1



FENDER MUSICAL INSTRUMENTS
 625 MUSICAL INSTRUMENTS
 A DIVISION OF COLGUNA PRODUCTIONS SYSTEMS INC.
 FULLERTON, CALIFORNIA
 U.S.A.

FENDER "SUPER BASSMAN-AMP CFA7002" LAYOUT

NOTICE
VOLTAGES READ TO GROUND WITH V.T.M.



NOTE: ALL RESISTORS 1/2 WATT 10% TOLERANCE, IF NOT SPECIFIED
NOTE: ALL CAPACITORS AT LEAST 400 VOLT RATING IF NOT SPECIFIED

FENDER MUSICAL INSTRUMENTS
A DIVISION OF COLUMBIA BROADCASTING SYSTEMS INC.
FULLERTON, CALIFORNIA
U.S.A.