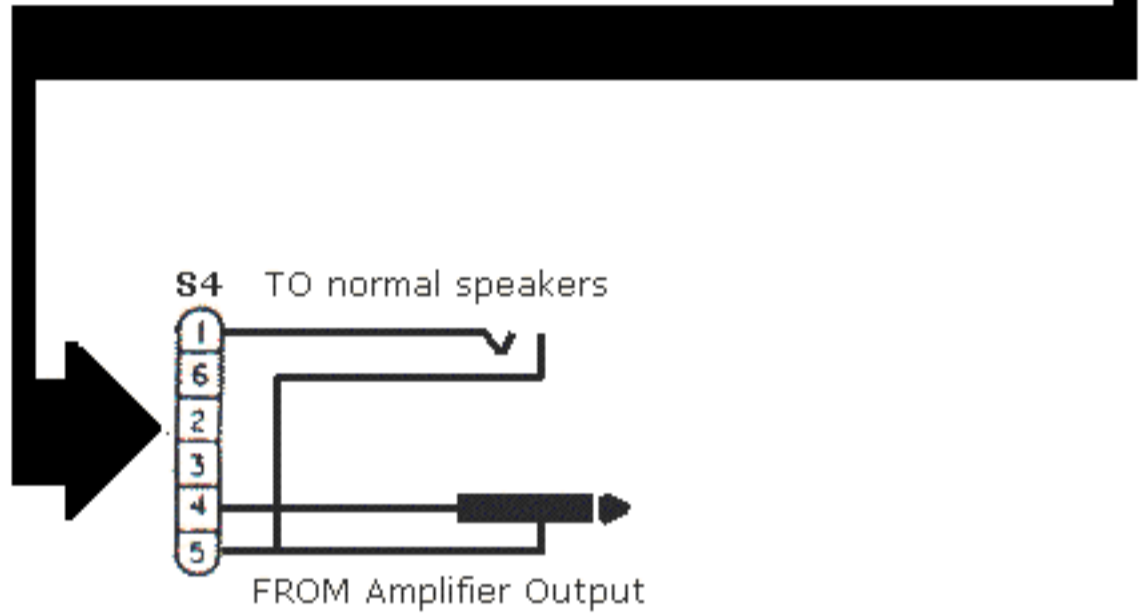
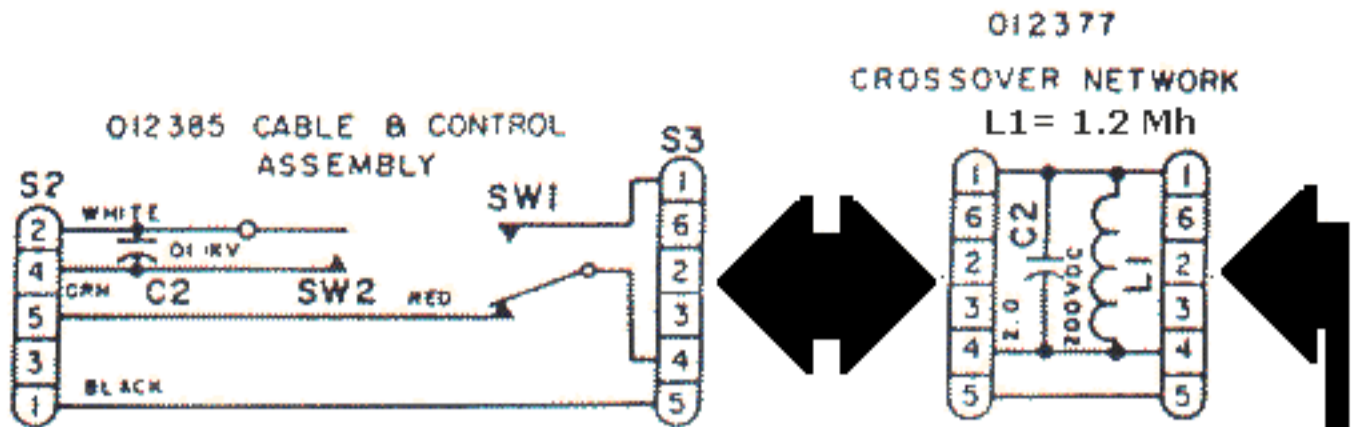


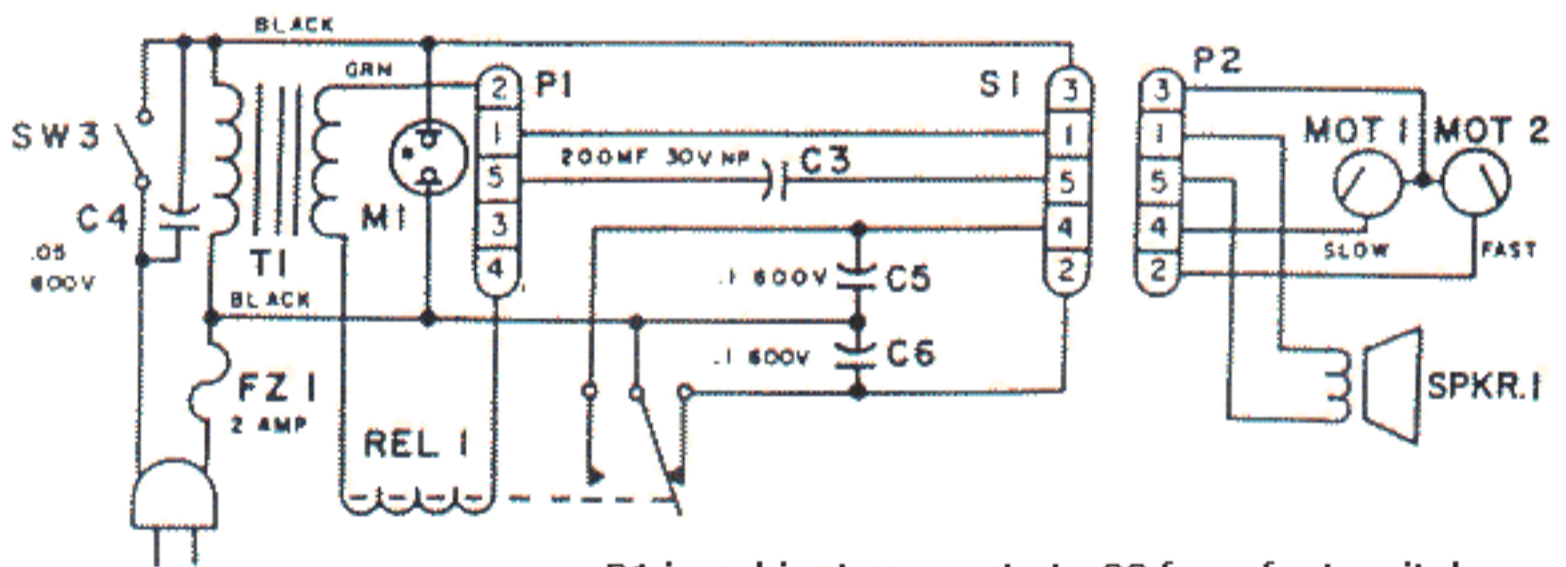
Footswitch and cables

This is the tube with a 6 pin plug in each end



Connections to 'combo amp'

These componets are within the chassis inside the Leslie



P1 in cabinet connects to S2 from foot switch

Plug / Socket diagrams

