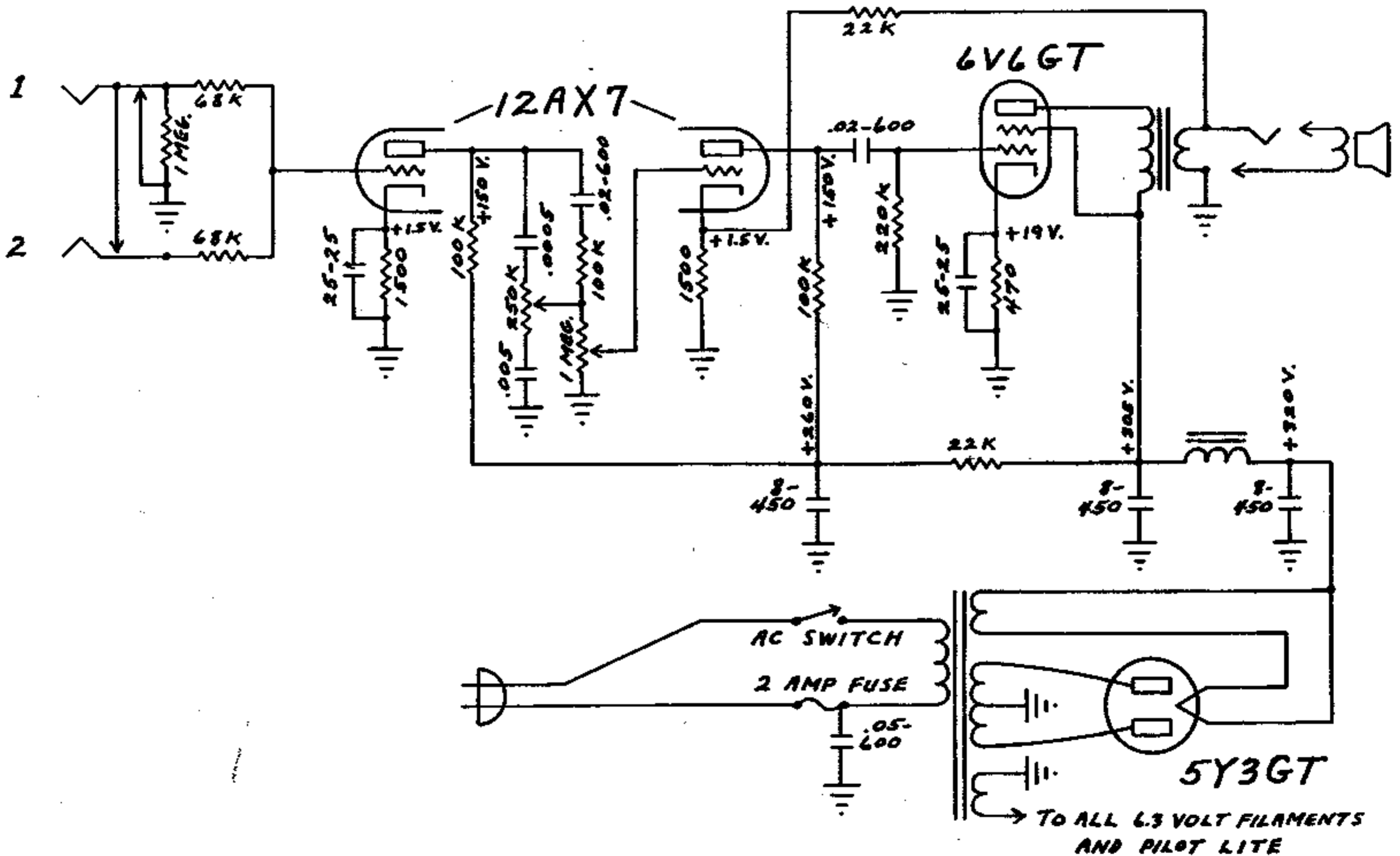


FENDER "PRINCETON" SCHEMATIC

MODEL 5E2

E-EE



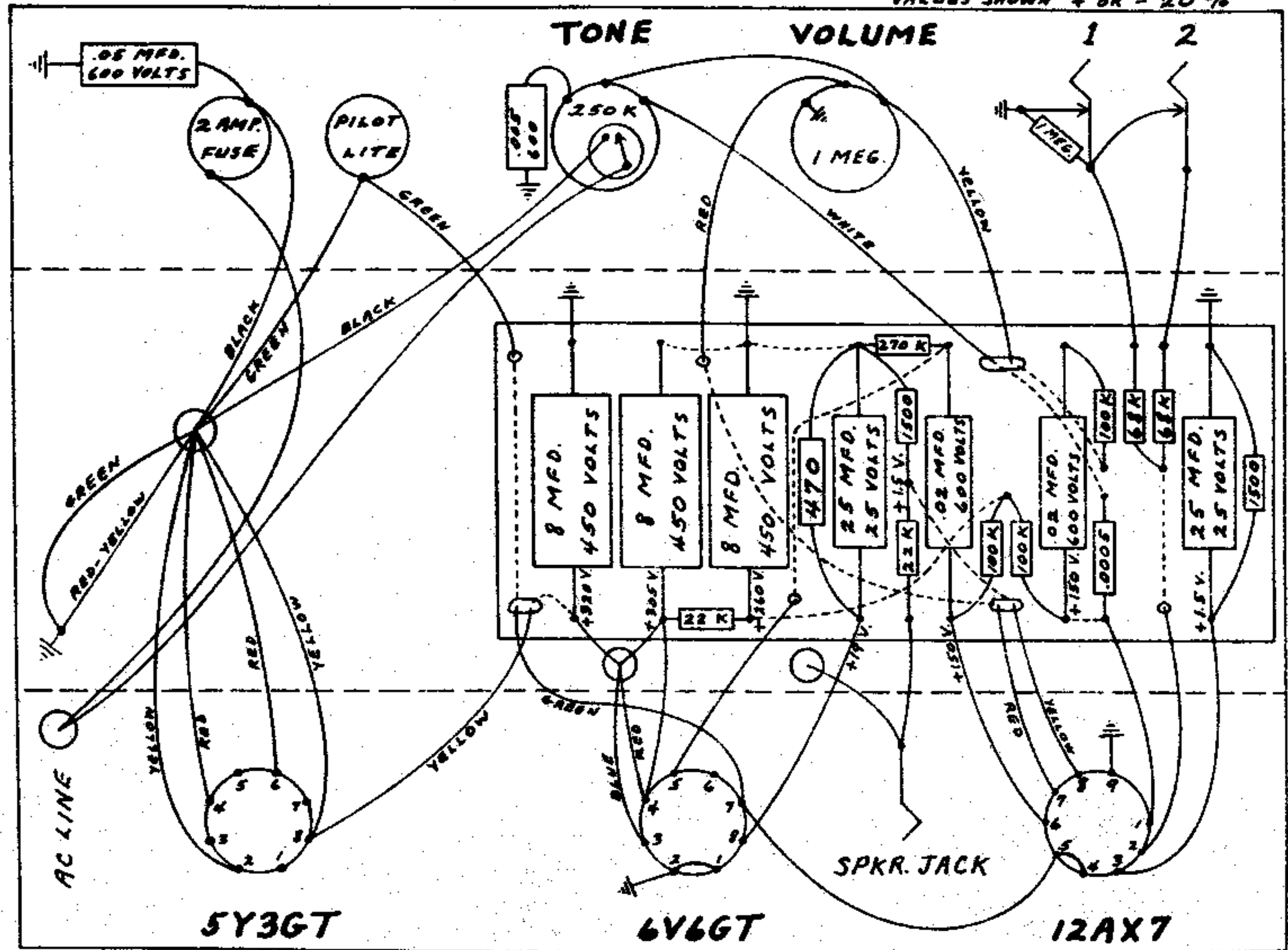
FENDER "PRINCETON" LAYOUT

MODEL 5E2

E-EE

NOTICE

VOLTAGES READ TO GROUND
WITH ELECTRONIC VOLTMETER.
VALUES SHOWN + OR - 20%



5Y3GT

6V6GT

12AX7