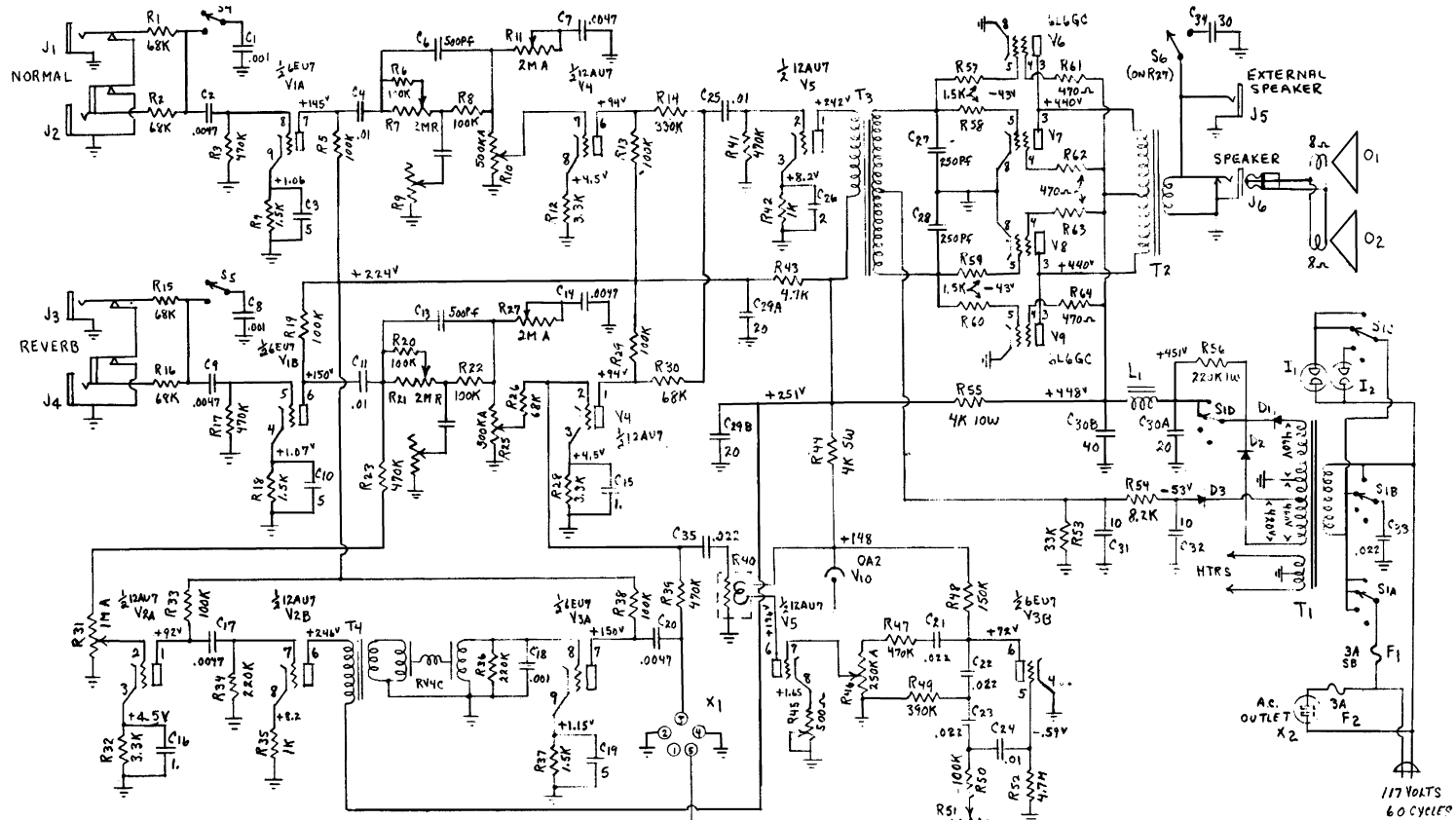
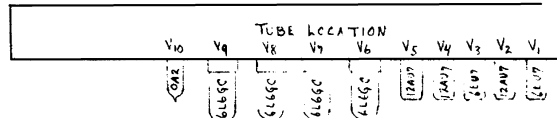


EA-300 RVT



Serial Number  
A-65,001 to



- |              |                                |          |                                       |
|--------------|--------------------------------|----------|---------------------------------------|
| T1           | TF-103P Power Transformer      | D1, D2   | DI-57 Diode 1200 PIV, 250 MA          |
| T2           | TF-503-0 Output Transformer    | D3       | DI-405 Diode 200 PIV, 1 A D           |
| T3           | TF-100LD PP Driver Transformer |          |                                       |
| T4           | TF-85L60 Reverb Transformer    | C1, C2   | S-200L1 Speakers 12", 8 ohms          |
| L1           | TF-100C2 Filter Choke          | R6       | CBA-811-3701 Control 250K Audio       |
| S1A, B, C, D | SW-78A Switch                  | R11      | CBA-811-3702 Control 2 meg Audio      |
| S2, S3       | SW-82L03 Foot Pedal Switches   | R9, R10, | CBA-811-3707 Control 500K Audio       |
| S4, S5       | SW-129 DPDT Slide Switches     | R21, R25 | CBA-811-3709 Control 1 meg Audio      |
| I1           | PL-32R Pilot Light (Red)       | R1       | CBA-811-3711 Control 1.5 meg RA       |
| I2           | PL-32A Pilot Light (Amber)     | R51      | CBA-811-3711 Control 1.5 meg RA       |
|              |                                | R7, R21  | CBA-811-3751 Control 2 meg RA         |
|              |                                | R45      | CB-23391 Control 500 ohm W/W          |
|              |                                | R27      | CBA-4005 Control 2 meg Audio w/switch |